

Speed Measuring System

Higher performance, lower accident rate

HWS800A



Features

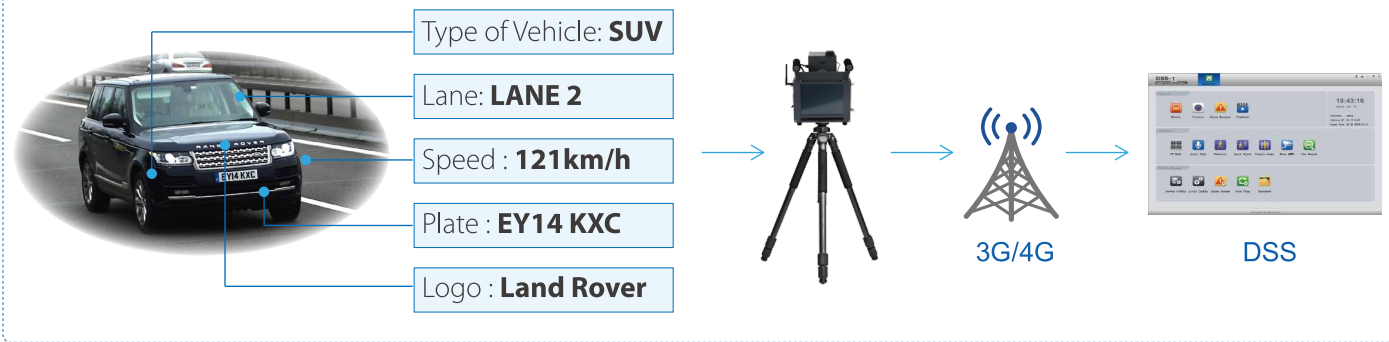
- All-in-One design
- 3D radar brings wider beam angle for wider coverage
- Support low speed snapshot and over speed snapshot
- Support lane recognition and distance measurement
- Support vehicle type detection
- Multi-target tracking up to 60 objects simultaneously
- Support setting speed limit value of big and small cars accordingly
- Support license plate recognition(LPR)
- Support GPS and 3G/4G wireless transmission



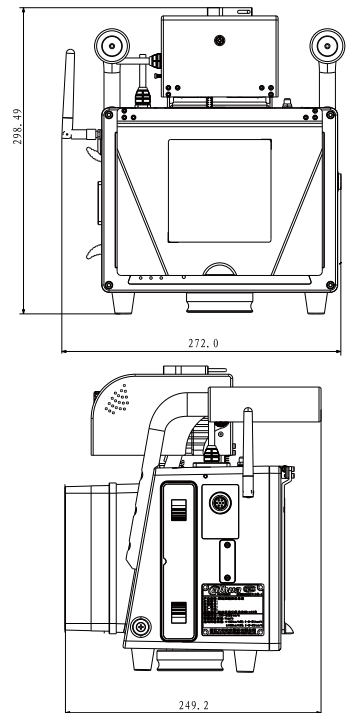
Speed Measuring System



System Structure



Model	HWS800A
Vehicle capture rate	≥ 95%
Measure range	(5~350)km/h
Measure accuracy:	<100km/h : (±2) km/h; >100km/h : (±2) %
Monitor lane	1~4 lanes
Working distance	3~100m
Traffic direction	Approaching, Receding
Snapshot resolution	8 megapixel, 3296 × 2536
Video resolution	2 megapixel, 1600 × 1200
Storage capacity	500GB HDD
3G/4G network	Support FDD-LTE/TD-LTE/TD-SCDMA/WCDMA/EVDO/EDGE
Data interface	1 × RS232 COM, 1 × 100M Ethernet port, 1 × USB2.0 port, 1 × SATA port
Lithium battery working time	9h
Average power consumption	<25W
Working temperature	-20°C~+60°C (with lithium battery) -40°C~+70°C (without lithium battery)
Dimensions	233 × 287 × 228mm (L×H×W)
Weight	9kg



* Design and specifications are subject to change without notice.

Speed Measuring System - 02, Jan 2018



DAHUA TECHNOLOGY

No.1199 Bin'an Road, Binjiang District, Hangzhou, China. 310053
Tel: +86-571-87688883 Fax: +86-571-87688815
Email: overseas@dahuatech.com
www.dahuasecurity.com



© Dahua Technology, All rights reserved