



### Features

- Absolute smoke detection
- Wide sensitivity range
- Single pipe inlet
- Five (5) status LEDs
- Referencing
- VESDAnet communication (VN)
- Clean air barrier optics protection
- Three (3) Alarm Levels
- Three (3) Programmable Relays
- Air flow monitoring
- Optional remote display and relay capability
- Simple mounting design
- AutoLearn™

### Approvals/Listings\*

- UL
- ULC
- FM
- LPCB
- VdS
- CFE
- ActivFire
- AFNOR
- VNIPO
- CE - EMC and CPD
- EN 54-20
  - Class A (30 holes / 0.05% obs/m)
  - Class B (36 holes / 0.09% obs/m)
  - Class C (40 holes / 0.165% obs/m)

*Classification of any configuration is determined using ASPIRE2.*

Regional approvals listings and regulatory compliance vary between VESDA product models. Refer to [www.xtralis.com](http://www.xtralis.com) for the latest product approvals matrix.

\*Special versions of the products are available which carry Marine Approvals. Please refer to separate data sheet (doc. no. 11655).

### Introduction

The VESDA VLC detector has been specifically designed to provide all the benefits of aspirating smoke detection, including very early warning, in single environment small areas and where space is a premium.

The VLC combines the well-proven VESDA VLP detection technology with a modified aspirator design, and incorporates them into a compact enclosure with a simplified display.

### Two variants and a remote display option

The VLC is available in two versions, one that interfaces via relays only (RO) and one that interfaces via relays and VESDAnet (VN).

The VN version is compatible with the remote Display Module, which allows the current status of the detector to be reported in the most convenient location. The remote Display Module has 7 remote relays to support any combination of signalling that may be demanded by the application. The VN version allows several detectors to be linked together on VESDAnet thereby allowing one to act as a reference detector for other VESDA detectors.

### Description

The VLC is made up of two parts: the main enclosure and the front cover.

The main enclosure houses all the key components of the detector. All non-serviceable items like the main processor board and detector chamber are mounted away from the general access area, protecting them during the installation and service process.

The front cover includes:

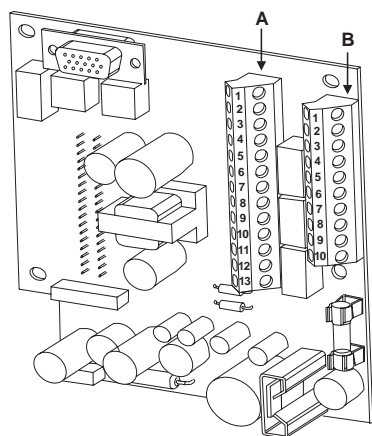
- 5 LEDs: Fire, Pre-Alarm/Alert, Fault, OK, Reset/Isolate
- Reset/Isolate Push Button (press to reset, press and hold to isolate)

## How it works

Air is continually drawn through a simple pipe network to a central detector by a high efficiency aspirator. Air entering the unit passes a flow sensor before a sample is passed through a dual-stage dust filter (the majority of air is exhausted from the detector and back-vented to the protected area). The first stage removes dust and dirt from the air sample before it enters the chamber for smoke detection. The second, ultra-fine stage provides a clean air supply to be used inside the detection chamber to form clean air barriers, which protect the optical surfaces from contamination.

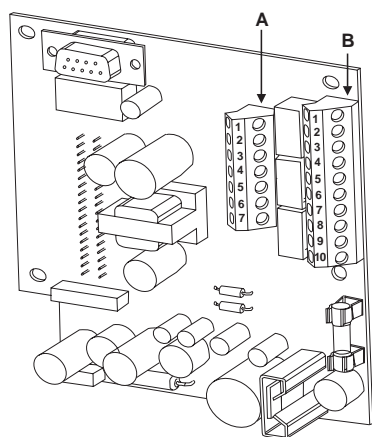
The detection chamber uses a stable, highly efficient laser light source and unique sensor configuration to achieve the optimum response to a wide range of smoke types. When smoke passes through the detection chamber it creates light scatter which is detected by the very sensitive sensor circuitry.

The status of the detector, all alarms, service and fault events, are monitored and logged with time and date stamps. Status reporting can be transmitted via simple relay connections or across the advanced VESDAnet communications network (VN version only).



### VLC Termination Card (VN)

Terminal A	Terminal B
1 Bias (-) (GND)	1 Shield
2 Reset (-)	2 VESDAnet-A (-)
3 Reset (+)	3 VESDAnet-A (+)
4 Bias (+)	4 Shield
5 LED (-) (GND)	5 VESDAnet-B (-)
6 LED (+)	6 VESDAnet-B (+)
7 FIRE (NO)	7 Power (-)
8 FIRE (C)	8 Power (+)
9 PRE-ALARM (NO)	9 Power (-)
10 PRE-ALARM (C)	10 Power (+)
11 FAULT (NO)	
12 FAULT (C)	
13 FAULT (NC)	



### VLC Termination Card (RO)

Terminal A	Terminal B
1 FIRE (NO)	1 Bias (-) (GND)
2 FIRE (C)	2 Reset (-)
3 PRE-ALARM (NO)	3 Reset (+)
4 PRE-ALARM (C)	4 Bias (+)
5 FAULT (NO)	5 LED (-) (GND)
6 FAULT (C)	6 LED (+)
7 FAULT (NC)	7 Power (-)
	8 Power (+)
	9 Power (-)
	10 Power (+)

## Ordering Information

Product	Part number
VESDA VLC – VESDAnet	VLC-505
VESDA VLC – Relays Only	VLC-500
Remote Display (relays)	VRT-J00
Remote Display (no relays)	VRT-K00
Remote Relays (no display)	VRT-500

www.xtralis.com

The Americas +1 781 740 2223 Asia +852 2916 8894 Australia and New Zealand +61 3 9936 7000  
Continental Europe +32 56 24 19 51 UK and the Middle East +44 1442 242 330

The contents of this document are provided on an "as is" basis. No representation or warranty (either express or implied) is made as to the completeness, accuracy or reliability of the contents of this document. The manufacturer reserves the right to change designs or specifications without obligation and without further notice. Except as otherwise provided, all warranties, express or implied, including without limitation any implied warranties of merchantability and fitness for a particular purpose are expressly excluded.

This document includes registered and unregistered trademarks. All trademarks displayed are the trademarks of their respective owners. Your use of this document does not constitute or create a licence or any other right to use the name and/or trademark and/or label.

This document is subject to copyright owned by Xtralis AG ("Xtralis"). You agree not to copy, communicate to the public, adapt, distribute, transfer, sell, modify or publish any contents of this document without the express prior written consent of Xtralis.

Doc. no. 09362\_16

Part: 18881

## Specifications

### Supply voltage:

18 to 30 VDC

### Power consumption:

5.4 W quiescent, 5.9 W with alarm

### Current consumption:

225 mA quiescent, 245 mA with alarm

### Fuse rating:

1.6 A

### Dimensions (WHD):

225 mm x 225 mm x 85 mm (8 7/8" x 8 7/8" x 3 3/8")

### Weight:

1.9 kg (4.2 lbs.)

### Operating conditions:

Ambient: 0°C to 39°C (32°F to 103°F) \*

Tested: -10°C to 55°C (14°F to 131°F) \*

Sampled Air: -20°C to 60°C (-4°F to 140°F) \*

Humidity: 10% to 95% RH, non-condensing

### Sampling network:

Maximum area of Coverage 800 sq.m (8000 sq.ft)

### Maximum pipe lengths:

1 x 80 m, 2 x 50 m

### Computer design tool:

ASPIRE2™

### Pipe:

Internal Diameter 15 mm–21 mm (9/16"–7/8")

External Diameter 25 mm (1")

### Relays:

3 Relays rated 2 A @ 30 VDC

Fire (NO)

Pre-Alarm (NO)

Alert/Fault (Maintenance & Isolate) (NC/NO)

Configurable as latching or non-latching

### IP rating:

IP30

### Cable access:

4 x 25 mm (1") cable entries

### Cable termination:

Screw Terminal blocks 0.2–2.5 sq mm (30–12 AWG)

### Alarm sensitivity range:

0.005% to 20% obs/m (0.0015% to 6.25% obs/ft)

### Threshold setting range:

Alert: 0.005%–1.990% obs/m (0.0015%–0.6218% obs/ft)

Pre-Alarm: 0.010%–1.995% obs/m

(0.0031%–0.6234% obs/ft)

Fire: 0.015%–20.00% obs/m (0.0046%–6.25% obs/ft)\*

\*Limited to 4% obs/ft for UL

### Software features:

Event log: Up to 12,000 events stored in FIFO format

Smoke level, user actions, alarms and faults with time and date stamp

AutoLearn: Minimum 15 minutes, maximum 15 days.

Recommended minimum 14 days.

During AutoLearn thresholds are NOT changed from pre-set values.

### Configurable general input (24 VDC):

Standby, Mains OK or Reset/Isolate

## Approvals Compliance

Please refer to the Product Guide for details regarding compliant design, installation and commissioning.

\* Product approved by UL from 0°C to 38°C (32°F to 100°F)