

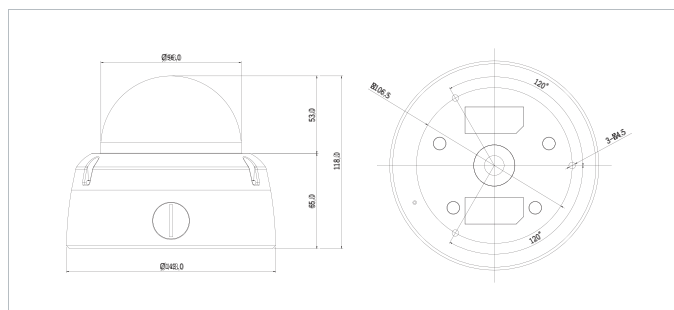
# VDA100SM3Ti-IR

## 3MP IR Vandal Dome Camera



### Features

- 3.0MP 1/2.8" Sony progressive scan CMOS image sensor
- 2.8–10mm Smart Focus
- 30m IR Beam Distance
- Dual Streaming of H.264 and M-JPEG
- H.264 : 20fps/ 2048x1536, M-JPEG : 20fps/ QVGA
- H.264 : 30fps/ 1920x1080, M-JPEG : 30fps/ QVGA
- Integrated motion detection with pre- and post-alarm image/video buffering
- Event-Triggered FTP and email upload of still images and videos
- Full Duplex Two-Way Audio Support(Optional)
- External microphone input & speaker output connector(Optional)
- Digital PTZ
- UPnP supported
- Micro SD/SDHC card slot, event triggered, scheduled and continuous recording supported
- 1 Port analog video loop-out port
- Supports CBR and VBR modes
- Supports 12VDC/ IEEE 802.3af PoE injectors, mid- and end-spans
- Integrated HTTP Web server supporting 50 simultaneous user connections
- HTTPS supported(Hyper Text Transfer Protocol Secured)
- Integrated E-Mail, FTP, DDNS and DHCP client
- Extensive CGI API for software integration and remote programming operations
- Window based IP installer and license-free 16 CH NVR software
- Tool-free 3-Axis
- Vandalproof/ Tamperproof
- IP66 Weatherproof



| MODEL              | VDA100SM3Ti-IR  |   |  |
|--------------------|---|---|--|
| Classification     | Specification   |   |  |
| General            | CPU   | 32-bit ARM9 RISC CPU up to 432MHz                               |  |
|                    | Video Buffer  | 16Mbyte Video Frame Buffer                                      |  |
|                    | Flash   | 128Mbyte  |  |
|                    | SDRAM   | 128Mbyte  |  |
| Image Pickup       | Image sensor  | 3.0 Megapixel 1/2.8" SONY progressive scan CMOS image sensor    |  |
|                    | Total Pixels  | 2144(H) x 1588(V) 3.4 Megapixel                                 |  |
|                    | Effective Pixels  | 2096(H) x 1561(V) 3.27 Megapixel                                |  |
|                    | S/N Ratio   | More than 50dB  |  |
|                    | Min. Illumination   | 0Lux (IR On)  |  |
|                    | IR Distance   | 30m   |  |
|                    | Day & Night   | ICR   |  |
|                    | Lens Control  | Smart Focus   |  |
| Video              | Lens  | 2.8~10mm Smart Focus  |  |
|                    | Video compression   | H.264 High Profile@Level 4.0, Motion JPEG                       |  |
|                    | Resolutions   | Up to 2048 x 1536   |  |
|                    | Frame rate  | H.264 Up to 15fps with 2048x1536                                |  |
|                    |   | MJPEG Up to 30fps with 1080p resolution                         |  |
|                    | Video streaming   | Support multi stream with H.264, MJPEG                          |  |
|                    |   | Adjustable frame rate   |  |
|                    | Pan/Tilt/Zoom   | VBR/CBR in H.264  |  |
|                    |   | Digital PTZ   |  |
|                    | Image setting   | Day & Night   |  |
| Auto White Balance |   |   |  |
| Auto Exposure      |   |   |  |
| Privacy Mask       |   |   |  |
| Output             | Effect - Color, Sharpness, Mirror/V-Flip, etc.                                  |   |  |
|                    | BNC x1, 1.0Vp-p, 75 ohm Composite Video, NTSC/PAL                               |   |  |
| Audio (Option)     | Audio streaming   | Two-way, full duplex  |  |
|                    | Audio compression   | G.711   |  |
|                    | Sample Rate   | 8KHZ  |  |
|                    | Data Rate   | 64Kbps  |  |
|                    | Audio input   | Microphone input /1 x Line-In (Mono)-Option                     |  |
|                    | Audio output  | Line output/ 1 x Line-Out (Mono)-Option                         |  |
| Network            | Security  | Password protection   |  |
|                    |   | User access log   |  |
|                    |   | HTTPS encryption  |  |
| Supported protocol | HTTP, HTTPS, FTP, SMTP, UPnP, DNS, DynDNS, NTP, RTSP, RTP, TCP, UDP, ICMP, DHCP |   |  |
| System integration | Intelligent video   | Motion detection up to 2048x1536 with 32x24 blocks              |  |
|                    | Alarm trigger   | Motion detection  |  |
|                    |   | External input/Normal Open/Close Type                           |  |
|                    | Alarm events  | File upload via ftp, e-mail                                     |  |
|                    |   | Notification via email, FTP and TCP                             |  |
|                    | Video buffer  | 16MB pre-alarm and post-alarm                                   |  |
|                    | Recoding  | Save to Micro SD/SDHC card with event mode and continuous mode  |  |
|                    | Firmware upgrade  | Remote upgrade via network                                      |  |
| API                | CGI Interface document<br>ActiveX Interface(ocx(dll) + document)                |   |  |
| Physical           | Reset Button  | 1 x Factory Reset Button  |  |
|                    | Power Source  | DC 12V/1.5A, PoE(Power over Ethernet): 802.3af                  |  |
|                    | Power Consumption   | Max. 5.5W, Max. 7.2W with IR On                                 |  |
|                    | Net Weight  | 2000g Appr.(Camera Only)  |  |
|                    | LED's   | Power, Network Connection                                       |  |
|                    | Dimension   | 164(Ø) x121.5(H)  |  |
| Environment        | Operating Temperature   | -10 degree~50 degree Celsius (14F~122F)                         |  |
|                    | Storage Temperature   | -20 degree~60 degree Celsius (-4F~140F)                         |  |
| Software           | Included Software   | NVR Lite (16 Channel), IP Installer (Windows Only)              |  |
| Package            | Package Contents  | Network Camera, Use Manual, External Power Adaptor, Software CD |  |