

# Vi6100VR

## Active UTP Video Receiver

### Features

- Quality video over 6000 feet (1830 m) of Unshielded Twisted Pair wires (UTP)
- Integrated 2 channel video distribution amplifier
- NTSC, PAL, and SECAM video format compatible
- Female BNC and Terminal Blocks or RJ-45 connectors
- 70 dB cross talk and noise immunity
- Full ground-loop immunity & Built-in surge protection
- Single distance adjustment for video
- Compatible with qualified UTP Cameras
- Lever type screw-less wire connectors
- Compact size and easy installation
- Limited Lifetime warranty



### Applications

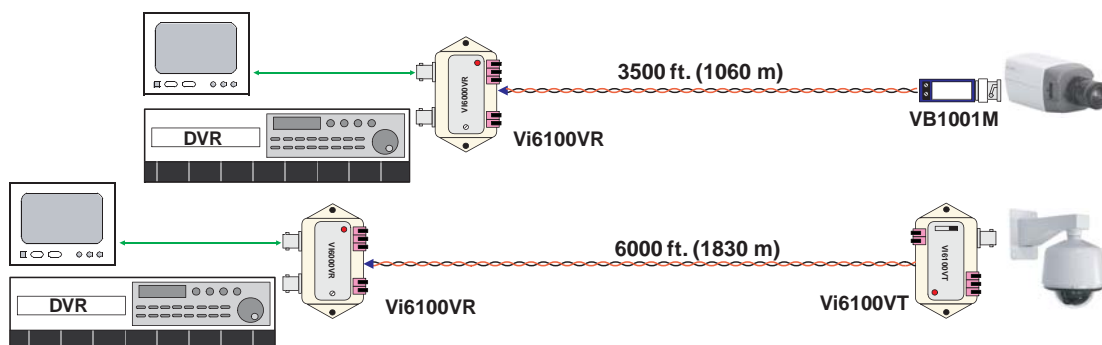
- Security and Surveillance
- Department Store Security
- Casino Security
- Hospitals and Airports
- School Campuses

The Vigatron Vi6100VR is an advanced active device that receives high resolution color or B&W video over unshielded twisted pair wires Category 2-7 at distances up to 6,000 feet (1830 m) when used with Vigatron Vi6100VT Active Transmitter. It can be used with any Vigatron passive transceiver for distances up to 3,500 feet (1060 m).

The Vi6100VR is a compact unit that has dual BNC video outputs to simplify connection to multiple video devices. Each channel has a single distance adjustment. This receiver has built-in surge suppression to protect video equipment against damaging voltage spikes. Its Integrated Ground Loop isolation prevents disturbing "hum-bars" common with long distance installations and its excellent crosstalk and noise immunity provides quality video up to the maximum distance.

The Vi6100VR innovative design offers exceptional quality video and system flexibility that makes it ideal for a wide variety of applications that require multiple video channels, and makes a cost-effective alternative to expensive fiber optic solutions.

### Application Diagram



The smart choice for quality video



[www.vigatron.com](http://www.vigatron.com)

DSVi6100VR\_0906

# Technical Specification\*

## Electrical

Video Format	NTSC, PAL, SECAM
Frequency	20 Hz to 6 MHz
Coax	75 Ohm
Twisted Pair	100 Ohms +/- 20%, 24 AWG min up to 6000 feet (1830 m) Unshielded Category 2-7
CMRR	70 dB
Power	12V-24V DC/AC, 60 mA max (12V DC Power Supply Included)
Power Indicator	Red LED
Connectors	UTP Video Inputs: Screw-less Terminal Blocks Video output: Female BNC Connectors Power: Screw-less Terminal Blocks
Transient Immunity	6000V, 1.2 uS x 50 uS

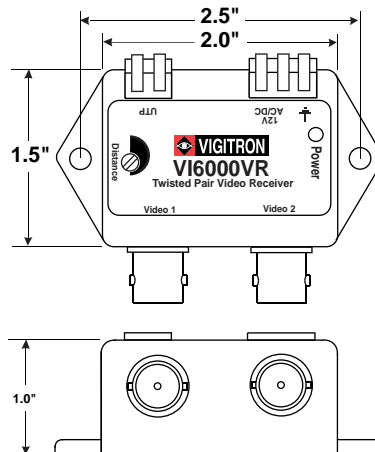
## Environmental

Humidity	0 to 95%, non-condensing
temperature	Operating: -10C to +50C Storage: -30C to +70C

## Mechanical

Dimensions	1.6x2.9x1 Inches (41x74x25 mm)
Weight	1.5 oz (40 g)
Material	Bone ABS Plastic, UL rating of 94V-0

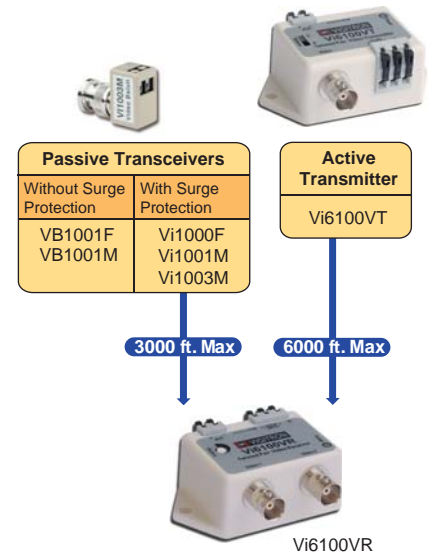
\*Specifications subject to change without notice.



## Ordering Information

PART No.	Description
Vi6100VR	Active Receiver

## System Configuration



## Wire and Cable Recommendations

The Vigatron products are designed to be used with unshielded twisted pair (UTP) wiring. The UTP wire must be 24AWG - 12AWG or Category 2-7 cable. Multi-pair cable with an overall shield is acceptable, however individually shielded pairs should be avoided. Multiple UTP Video feeds can be operated in the same communication cable along with telephone, computer, control signals and low power voltages. While UTP video may be routed through punch-down block terminals, any resistive, capacitive or inductive devices (such as T-taps or MOV's) must not be used. For more specific information regarding wire types and proper installation techniques, please contact Vigatron for technical assistance.



TEL (+1) 858-484-5209 • FAX (+1) 858-484-1205  
13906 Sparren Ave. San Diego, CA 92129, USA • info@vigatron.com • www.vigatron.com