

# Vi1001F / Vi1001M

## Twisted Pair Video Baluns

### Features

- Quality video over 1,000 ft. (305 m)\* of unshielded twisted pair wires (UTP)
- Up to 3,000 ft. (915 m) with Vigitron Active Receivers
- NTSC, PAL and SECAM video formats
- Support for "up-the-coax" type signals
- No power required
- Built-in differential and common surge protection
- 60 dB crosstalk and noise immunity
- Compact size and easy installation
- Compatible with all qualified UTP cameras
- Limited lifetime warranty



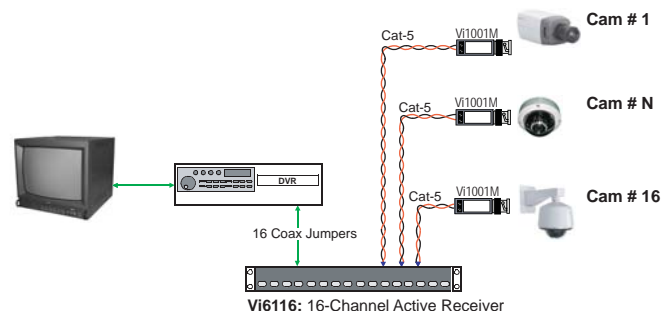
### Applications

- Security and surveillance
- Elevator surveillance
- Casino security
- Hospitals and airports
- School campuses

The Vigitron Vi1001F and Vi1001M are passive transmission devices that transport video signals over unshielded twisted pair wires, point-to-point, for distances up to 1,000 ft. (305 m)\*. Distances up to 3,000 ft. (915 m) can be achieved when it is used with Vigitron Active Receivers. They use Category 2-7 twisted pair wires, are easy to install and cost effective, and do not require power. The Vi1001F and Vi1001M's unique and compact design allows mounting directly to the video source or receiver without needing any additional cabling. They are compatible with all qualified cameras with built-in twisted pair transmitter.

The Vi1001F and Vi1001M have built-in surge suppression to protect video equipment against damaging voltage spikes. Their crosstalk and noise immunity ensure quality video signals. The Vi1001F and Vi1001M offer quality video in a compact size. They are ideal for a wide variety of security and surveillance applications.

### Application Diagram



The smart choice for quality video



[www.vigitron.com](http://www.vigitron.com)

DSVi1001FM\_0609

# Technical Specification\*\*

## Electrical

Video Format	NTSC, PAL, SECAM
Frequency	DC to 10 MHz
Coax	75 Ohm
Twisted Pair	100 Ohms +/- 20%, 24 AWG minimum up to 1000 ft. (305 m)* unshielded Category 2-7
Insertion Loss	0.3 dB
CMRR	60 dB
Power	No power required
Connectors	Video: Male BNC UTP: Terminal Block
Transient Immunity	per ANSI / IEEE 587 C62.41

## Environmental

Humidity	0 to 95%, non-condensing
Temperature	Operating: -10°C to +70°C Storage: -30°C to +70°C

## Mechanical

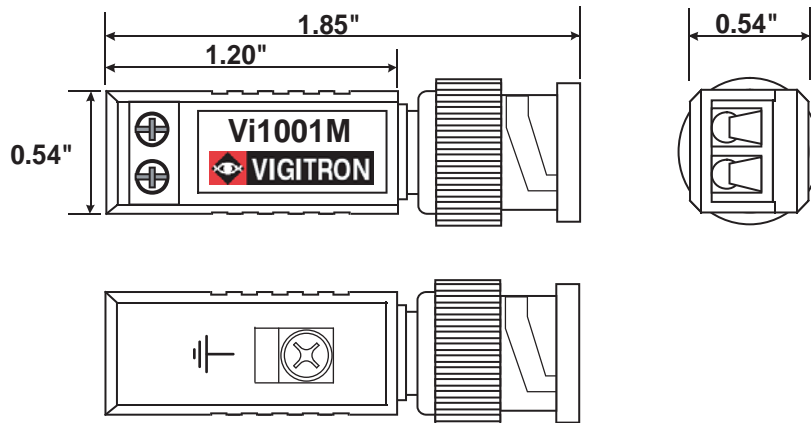
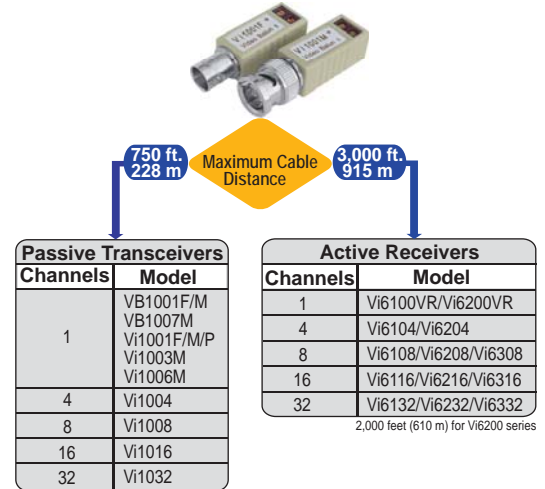
Dimensions	1.85x0.54x0.54 in., 4.7x1.4x1.4 cm
Weight	0.2 oz, 7 g
Material	ABS Plastic, UL rating of 94V-0

\*It is recommended not to exceed 750 feet (228 m) when using with digital equipment.  
\*\*Specifications subject to change without notice.

## Ordering Information

PART No.	Description
Vi1001F	Video Balun w/ surge protection, Female BNC
Vi1001M	Video Balun w/ surge protection, Male BNC

## System Configuration



## Wire and Cable Recommendations

The Vigitron products are designed to be used with unshielded twisted pair (UTP) wiring. The UTP wire must be 24AWG - 12AWG or Category 2-7 cable. Multi pair cable with an overall shield is acceptable, however individually shielded pairs should be avoided. Multiple UTP video feeds can be operated in the same communication cable along with telephone, computer, control signals and low power voltages. While UTP video may be routed through punch-down block terminals, any resistive, capacitive or inductive devices (such as T-taps or MOV's) must not be used. Please contact Vigitron for more specific information regarding wire types and proper installation techniques.



TEL (+1) 858-484-5209 • FAX (+1) 858-484-1205  
13906 Sparren Ave. San Diego, CA 92129, USA • info@vigitron.com • www.vigitron.com