

ULISSE COMPACT

OUTDOOR PTZ CAMERA FOR HIGHEST PRECISION DAY/NIGHT MONITORING



MAIN FEATURES

Day/night camera 36x or 28x:

- True Progressive Scan (36x)
- High resolution: up to 550 TV Lines
- Advanced image stabiliser (Stable Zoom Mode)
- Day/Night (Auto ICR: automatic removal of IR filter)
- Dynamic video masking of different areas

Up to 2 simultaneous video streams (IP-based version)

Variable speed: 0.1°-200°/s Pan/Tilt

Horizontal continuous rotation, vertical -90°/+90°

Position accuracy: 0.05°

Up to 250 Presets

Total control of the auxiliary functions through the Videotec PTZ ASSISTANT (IP-based version)

Operating temperature: -40°C / +60°C (-40°F / +140°F)

Power supply: 230Vac, 24Vac or 120Vac

DESCRIPTION

ULISSE COMPACT is a robust and efficient PTZ camera unit designed to ensure dynamic, non-stop surveillance of large outdoor areas and withstand harsh weather conditions, reducing maintenance to zero.

Optimal operation is ensured in very hot environments up to 60°C or in very cold environments up to -40°, thanks to optional enhanced heating.

The accurate top-mount configuration guarantees long-range vision and continuous horizontal axis rotation, combining high speed with absolute tracking accuracy, both in manual mode and in patrol mode.

The integrated camera ensures superior image quality, even in poorly lit environments.

To ensure detailed images even during the night hours, versions are available with LED illuminators, with infrared light or white light.

The ULISSE COMPACT PTZ camera can be equipped with a wiper for removing rain and dust from the front glass; there is a wide selection of jerry cans with washer pump, different capacities and heads.

The IP-based PTZ camera versions can be integrated into a network system, with network control of all PTZ functions.

The Videotec's PTZ ASSISTANT plug-in software supports any VMS with the control of all special functions such as wiper, washer pump and IR.

H.264/AVC compression allows high definition images to be transmitted via Ethernet with optimisation of bandwidth and video storage space.

The compliance with ONVIF Profile S provides an open architecture for maximum integration with IP systems of industry major brands.



ULISSE COMPACT + LED ILLUMINATOR



ULISSE COMPACT



ULISSE COMPACT + UCCMA

TECHNICAL DATA

GENERAL

Constructed from aluminium and tecnopolymer
Epoxypolyester powder painting, RAL9002 colour
Easy installation thanks to the self-centring connector
Zero backlash
Quick configuration and setup
Dynamic positioning control system
Functions: Autopan, Preset, Patrol, Tour (maximum 3), Autoflip

MECHANICAL

Cable glands: 2xM16, 2xM12
Horizontal rotation: 360°, continuous rotation
Vertical rotation: from -90° up to +90°
Horizontal speed (variable): From 0.1°/s up to 200°/s
Tilt speed (variable): From 0.1°/s up to 200°/s
Accuracy of preset positions: 0.05°
Unit weight: 12.5kg (28lb) (13kg / 28.7lb with LED illuminator)

ELECTRICAL

Supply voltage/Current consumption

- 230Vac: 0.4A, 50/60Hz
- 24Vac: 4A, 50/60Hz
- 120Vac: 0.8A, 50/60Hz

Power consumption

- 40W: P&T static, heating switched off
- 60W: P&T in motion, heating switched off
- 125W: peak at start-up, heating switched on

Power consumption (illuminator on)

- 55W: P&T static, heating switched off
- 75W: P&T in motion, heating switched off
- 140W: peak at start-up, heating switched on

Cables input section: from 0.75mm² (19AWG) up to 1.5mm² (16AWG)

Cables signal section: from 0.14mm² (30AWG) up to 1.5mm² (16AWG)

NETWORK

Connector (only for the IP versions of the product):

- RJ45, 10BASE-T/100BASE-T

SERIAL COMMUNICATIONS

Half-duplex serial RS-485 interface, full-duplex RS-422 and daisy-chain architecture

Firmware updating from console in remote mode (PELCO D, VIDEOTEC MACRO)

Up to 1023 units, addressable by means of dip-switches

Serial communication protocol: AMERICAN DYNAMICS, ERNITEC, PANASONIC, PELCO D, VIDEOTEC MACRO

Maximum number of presets for protocol

- AMERICAN DYNAMICS: 95*
- ERNITEC: 250
- PANASONIC: 250
- PELCO D: 99*
- VIDEOTEC MACRO: 250

*250, from OSM only (On Screen Menu)

VIDEO

Video line: coaxial cable (1Vpp, 75 Ohm)

IP version:

Video encoder

- Communication protocol: ONVIF, Profile S
- Device configuration: TCP/IPv4-IPv6, UDP/IPv4-IPv6, HTTP, NTP, DHCP, WS-DISCOVERY, QoS, IGMP (Multicast)
- Streaming: RTSP, RTCP, RTP/IPv4
- Video compression: H.264/AVC, MJPEG
- 2 independent video streams
- Image resolution: from Full D1 (720x576 for PAL, 720x480 for NTSC) to 352x240 in 18 steps
- Web Server

I/O INTERFACE

I/O alarm card*

- Alarm inputs: 6
- Relay outputs: 2 (2A, 30Vac/60Vdc max)

The I/O's can be used both in analog and IP version for the automatic performing of P&T actions, however they are not exported for other uses, and can only be activated through the OSM.

ILLUMINATORS

LED illuminator

- 10° or 30° horizontal beam for 36x and 28x camera
- Wavelength: 850nm, 940nm, white light
- Built-in sensor for self-lighting, through external photocell or from control keyboard
- The camera and the light beam are factory aligned
- The pre-installed illuminator does not slow down the P&T's rotation speed

ENVIRONMENT

Indoor/Outdoor

Operating temperature (with heater): from -40°C (-40°F) up to +60°C (140°F)

Wind resistance

- Operational: up to 160km/h (99.4mph)
- Stationary: Up to 210km/h (130.5mph)

Surge immunity: Up to 2kV (line to line), up to 4kV (line to earth, Class 4)

Relative humidity: from 10% up to 95% (no condensation)

CERTIFICATIONS

Electrical safety (CE): EN60950-1, IEC60950-1

Electromagnetic compatibility (CE): EN61000-6-4, EN50130-4, EN55022 (Class A), FCC Part 15 (Class A)

Outdoor installation (CE): EN60950-22, IEC60950-22

Photobiological safety (CE): EN62471

IP protection degree: EN60529 (IP66)

UL certification: cULus Listed (TYPE 4X)

EAC certification

ACCESSORIES

OUCHWR	Complete front flange with heated glass for ULISSE COMPACT
UPTJBUL	Junction weatherproof box for cables connexion (according UL norm)
WASPT0V5L5M00	Water tank 5l (1 gal), pump with delivery up to 5m (16ft), IN 230Vac-24Vac-120Vac
WASPT0V23L5M00	Water tank 23l (6 gal), pump with delivery up to 5m (16ft), IN 230Vac-24Vac-120Vac
WASPT0V23L11M00	Water tank 23l (6 gal), pump with delivery up to 11m (36ft) with water floating, IN 230Vac-24Vac-120Vac
WASPT1V23L30M00	Water tank 23l (6 gal), pump with delivery up to 30m (98ft) with water floating, IN 230Vac
WASPT3V23L30M00	Water tank 23l (6 gal), pump with delivery up to 30m (98ft) with water floating, IN 120Vac

BRACKETS AND ADAPTORS

UPTWBA	Wall bracket with internal cable channel
UPTWBTAB	Parapet bracket with internal cable channel
UCCMA	Ceiling bracket for upside down mounting and working of ULISSE COMPACT

PACKAGE

Model Number	Weight	Dimensions (WxHxL)	Master carton
UC1PVSA000A	16kg (35lb)	66x33x57cm (26x13x22in)	-
UC1PVQA000A	16.5kg (36lb)	66x33x57cm (26x13x22in)	-

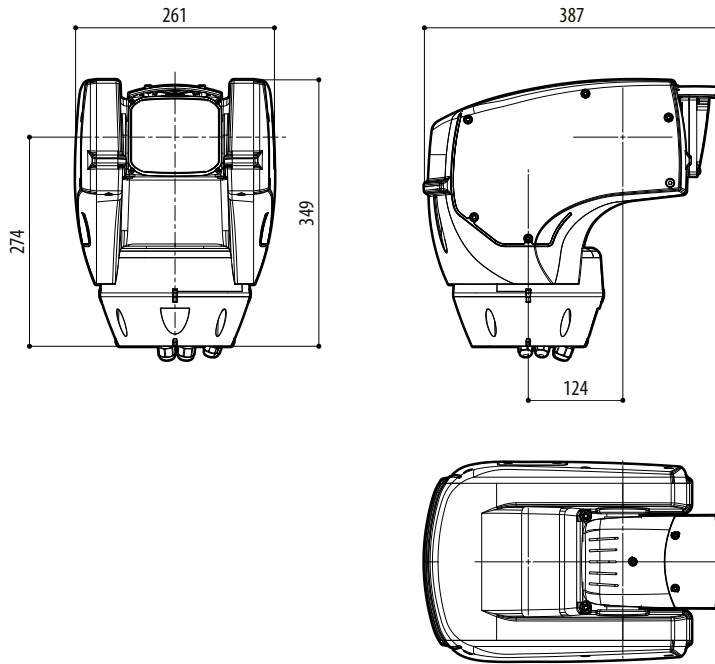
ULISSE COMPACT - CONFIGURATION OPTIONS

	Voltage	Day/Night camera	Options	Video Output
UC	1 230Vac	P Day/Night camera 36x optical zoom lens, PAL	V With I/O alarm board	A 0 Analog control 00A
	2 24Vac	Q Day/Night camera 28x optical zoom lens, PAL	W With wiper	Z IP H.264/AVC control, Protocol ONVIF Profile S
	3 120Vac	N Day/Night camera 36x optical zoom lens, NTSC	Q With IR LED illuminator 30°, 850nm	
		M Day/Night camera 28x optical zoom lens, NTSC	R With IR LED illuminator 10°, 850nm	
			U With wiper and IR LED illuminator 30°, 850nm	
			T With wiper and IR LED illuminator 10°, 850nm	
			M With IR LED illuminator 10°, 940nm	
			N With wiper and IR LED illuminator 10°, 940nm	
			Z With wiper and LED illuminator 30°, white light (only with 36x camera)	

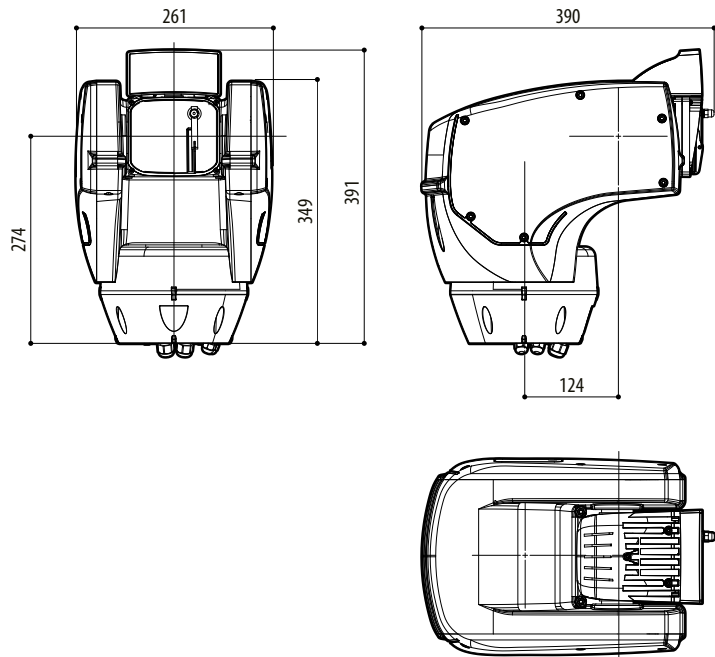
ANALOG CAMERAS (DAY/NIGHT)				
	Day/Night 36x		Day/Night 28x High sensitivity	
	PAL	NTSC	PAL	NTSC
Optical zoom	36x		28x	
Wide Dynamic Range (Fix/Auto)	✓		–	
True progressive SCAN	✓		–	
Digital image stabilisation	✓		✓	
White balance	Auto, ATW, Indoor, Outdoor (Fix/Auto), Sodium Vapor Lamp (Fix/Auto)		Auto, ATW, Indoor, Outdoor (Fix/Auto), Sodium Vapor Lamp (Fix/Auto)	
High horizontal resolution	Up to 550 TV Lines		Up to 550 TV Lines	
Day/Night (Auto ICR)	✓		✓	
Image Sensor	1/4" EXView HAD CCD		1/4" Super HAD CCD II	
Number of effective Pixels	~ 440000 pixel	~ 380000 pixel	~ 440000 pixel	~ 380000 pixel
Min. Color illumination (IR-Cut Filter = OFF)	1.4Lux / 1/50s 0.1 Lux / 1/3s	1.4Lux / 1/60s 0.1 Lux / 1/4s	0.25Lux / 1/50s 0.16 Lux / 1/3s	0.25Lux / 1/60s 0.16 Lux / 1/4s
Min. B/W illumination	0.01 Lux / 1/3s	0.01 Lux / 1/4s	0.0015 Lux / 1/3s	0.0015 Lux / 1/4s
"Shutter Time" automatic increase to improve the night surveillance	✓		✓	
S/N ratio	More than 50dB		More than 50dB	
AE control	Automatic, Shutter priority, Diaphragm priority, Brightness priority and Manual		Automatic, Shutter priority, Diaphragm priority, Brightness priority and Manual	
Back light compensation	On/Off		On/Off	
Spherical masking (3D) of Privacy zones with automatic upgrade	✓		✓	
Privacy Zone Masking	On/Off (24 positions)		On/Off (24 positions)	
Maximum number of masking blocks to be displayed	8		8	
Resolution of masking blocks	160x120 HxV		160x120 HxV	
Masking	Up to 15 different masking types: 14 colour types or mosaic		Up to 15 different masking types: 14 colour types or mosaic	
Focusing system	Auto (Sensitivity: Normal, Low), Trigger PTZ, Manual		Auto (Sensitivity: Normal, Low), Trigger PTZ, Manual	
"Smart" lens control	Automatic Lens Reset		Automatic Lens Reset	
High Zoom and Wide Horizontal Field of View Capability	✓		✓	
Optical zoom	36x, f=3.4 (wide) to 122.4mm (tele) / F1.6 to F4.5		28x, f=3.5 (wide) to 98mm (tele) / F1.35 to F3.7	
Digital Zoom	12x (432x with optical zoom)		12x (336x with optical zoom)	
Angle of view (A)	57.8 degrees (wide) to 1.7 degrees (tele)		55.8 degrees (wide) to 2.1 degrees (tele)	
Minimum object distance	320mm (12.6in) (wide) to 1500mm (59.1in) (tele)		10mm (0.4in) (wide) to 1500mm (59.1in) (tele)	
Electronic Iris Speed	1/1 ÷ 1/10000s		1/1 ÷ 1/10000s	

TECHNICAL DRAWINGS

The dimensions of the drawings are in millimetres.



ULISSE COMPACT



ULISSE COMPACT WITH LED ILLUMINATOR