

NVX with DELUX technology

STAINLESS STEEL FULL HD CAMERA



IP66/IP67
IP68/IP69

TYPE 4X
TYPE 6P



- Exceptional corrosion resistance
- Video recordings with incredibly bright day and night colours
- Quick connectors and modular integrated support
- Version available with polycarbonate window

ONVIF® | QST | delux
technology



HIGH STRENGTH AND VAST APPLICATION RANGE

The NVX camera is entirely made of AISI 316L stainless steel and stands out for its exceptional resistance to corrosion. NVX was designed to guarantee efficient video surveillance in offshore/onshore marine environments, but also in applications for the rail and transport sectors.

Thanks to its mechanical characteristics, the compact design and the light weight, its use is also indicated in industrial environments, in particular in foodstuff industry applications, with the possibility of mounting the polycarbonate window.

The high anti-corrosion properties of its AISI 316L stainless steel structure combined with the vast temperature range and the IP66/IP67/IP68 degrees of protection guarantee complete protection against bad weather and temporary immersion in water. In addition, the IP69 certification allows camera cleaning with high pressure water jets at high temperature.

Installation of NVX even in tight spaces is facilitated by the quick connectors and the practical, modular support supplied as standard for assembly on walls, ceilings or railings. NVX versions are available with integrated wiper or with a polycarbonate window.

This camera is certified Lloyd's Register Type Approval System Test Specification Number 1. It can therefore be used in marine applications for environmental categories that include boats, ships, open decks, enclosed spaces, technical premises subject to heat generated by other equipment or as a visual support for mooring manoeuvres (ENV1, ENV2, ENV3 and ENV5).

HIGH QUALITY IMAGE

NVX is an IP Full HD super low-light Day/Night 1080p, zoom 30x, 60fps camera, which integrates DELUX imaging and encoding technology by Videotec for video recordings with incredibly bright colours by day and night.

In particular, thanks to the camera's increased light sensitivity, the DELUX technology can obtain bright images with well-defined colours in very low light conditions – even typical night-time conditions to 0.006 lux (0.0006 lux in black and white).

Up to a maximum of 3 simultaneous and independent video streams can be transmitted via network in H.264/AVC, MPEG4, MJPEG or JPEG format

100% MADE IN VIDEOTECH

Videotec guarantees the extreme robustness and reliability of all its "all-in-one products" with hundreds of validation tests. Mechanics, electronics, positioning, networking, software and firmware are developed end-to-end by the internal Videotec team, with total know-how of all the network products offered.

At the heart of Videotec's product development is the concept of cyber-sustainability. To help customers protect their video surveillance systems and keep them secure, Videotec provides constant updates, training and support throughout the lifecycle of its products, regardless of how old the device is or whether it is still for sale.

Thanks to digitally signed firmware, password-restricted access, access control, centralised management of certificates and compliance with ONVIF Security Service specifications, Videotec guarantees that all its IP products will have the highest level of security during data transfer and device access.

NVX therefore offers the Videotec warranty of being a reliable platform, that is cyber-safe, future-proof and easily integrated with third party products. The new functions of Videotec video analysis, combined with the high technology and quality of the NVX imagery ensure maximum protection for people, assets and property.

TECHNICAL DATA

GENERAL

Simple installation thanks to quick connectors
Quick configuration and setup

MECHANICAL

AISI 316L stainless steel construction
Slot for safety chain
Unit weight:

- 4.9kg (10.8lb) (fastening support included)
- 4kg (8.8lb) (fastening support not included)

HOUSING'S WINDOW

Glass window extra clear

- Thick: 3mm (0.1in)

Polycarbonate window (available only for version without wiper)

- Thick: 3mm (0.1in)

ELECTRICAL

Supply voltage/Current consumption:

- 24Vac, 1.32A, 50/60Hz
- 24Vdc, 0.9A
- PoE+ (IEEE 802.3at)

Power consumption:

- 21W

NETWORK

Ethernet connection: 100 Base-TX
Connector: RJ45

CYBERSECURITY

Digitally signed firmware
Password restricted access (HTTP digest)
Support of various user access levels
Control of accesses IEEE 802.1X
HTTPS cryptography using TLS1.0, TLS1.1, TLS1.2 and TLS1.3
Centralised certificate management
Complies with ONVIF Security Service specifications

VIDEO

Video encoder

- Communication protocol: ONVIF, Profile Q, Profile S and Profile T
- Device configuration: TCP/IPv4-IPv6, UDP/IPv4-IPv6, HTTP, HTTPS, NTP, DHCP, WS-DISCOVERY, DSCP, IGMP (Multicast), SOAP, DNS
- Streaming: RTSP, RTCP, RTP/IPv4-IPv6, HTTP, Multicast
- Video compression: H.264/AVC, MJPEG, MPEG4
- 3 independent video streams Full HD
- Image resolution: from 320x180pixel up to 1920x1080pixel in 8 steps
- Selectable frame rate from 1 to 60 images per second (fps)
- Web Server
- Motion Detection
- QoS: Differentiated DSCPs for streaming and device management
- SNMP and NTCIP protocols

I/O INTERFACE

I/O alarm board (version with wiper)

- Input for remote reset: 1
- Relay outputs: 1+1 (1 relay reserved for washer pump and one configurable, 1A, 30Vac/60Vdc max)

CAMERAS

Day/Night Full HD 30x DELUX

Resolution: Full HD 1080p (1920x1080)

Image Sensor: 1/2.8" Exmor™ R CMOS sensor

Effective Pixels: approx. 2.38 Megapixels

Minimum Illumination:

- Colour: 0.006lx (F1.6, 30 IRE)
- B/W: 0.0006lx (F1.6, 30 IRE)

Focal length: from 4.5mm (wide) up to 135mm (tele)

Zoom: 30x (480x with digital zoom)

Iris: from F1.6 up to F9.6 (Auto, Manual)

Horizontal Viewing Angle: from 61.6° (wide end) up to 2.50° (tele end)

Vertical Viewing Angle: from 37.07° (wide end) up to 1.44° (tele end)

Shutter speed: from 1/1s up to 1/10000s (Auto, Manual)

White balance: Auto, Manual

Gain: from 0dB up to 100dB (Auto, Manual)

Wide Dynamic Range: 120dB

Focus System: Auto, Manual, Trigger

Picture Effects: E-flip, Color enhancement

Noise removal: 2D (3 levels), 3D (3 levels)

Exposure Control: Auto, Manual, Priority (Iris Priority, Shutter Priority), Brightness, Custom
De-fog: On/Off

Privacy zones masking (maximum 8 settable masks)

Indoor Flicker Reduction

Auto Slowshutter: Off, On (from 1/30s up to 1/1s)

Exposure compensation: Off, On (from level 0 up to level 14)

Sharpness: from level 0 up to level 3

ENVIRONMENT

For indoors and outdoors installation

Operating temperature

- Version with 24Vac or 24Vdc power supply: from -40°C (-40°F) up to +65°C (149°F)
- Version with PoE+ power supply: from -40°C (-40°F) up to +60°C (140°F)
- Temperature test complies with NEMA-TS 2-2003 (R2008) par. 2.1.5.1, test profile fig. 2-1 (from -34°C (-29.2°F) to +74°C (165.2°F))

Surge immunity: up to 1kV line to line, up to 2kV line to earth (Class 3)

Relative humidity: from 5% up to 95%

CERTIFICATIONS

Electrical safety (CE): EN60950-1, IEC60950-1, EN62368-1, IEC62368-1

Electromagnetic compatibility (CE): EN61000-6-4, EN50130-4, EN55032 (Class A), FCC Part 15 (Class A), ICES003 (Class A)

Outdoor installation (CE): EN60950-22, IEC60950-22

IP protection degree (EN60529): IP66, IP67, IP68 (2h30min, 2m (6.56ft)), IP69

Vibration test: EN50130-5, EN60068-2-6

UL certification: cULus Listed, TYPE 4X, TYPE 6P

EAC certification

KC certification (certification only valid for the codes: NVX210S00J, NVX210W00J, NVX210P00J)

CERTIFICATIONS - RAILWAY APPLICATIONS

Compliance to railway application standard: EN50121-4 (only with 24Vac or 24Vdc power supply)

CERTIFICATIONS - MARINE APPLICATIONS

Lloyd's Register Marine Type Approval

- Test Specification Number 1 (ENV1, ENV2, ENV3, ENV5)

Electromagnetic compatibility: EN60945

Salty fog resistance: EN60068-2-52

Tested at 70°C (158°F) for 16 hours in compliance with EN60068-2-2

ACCESSORIES

COMB100A	Communication box in polycarbonate, IN from 220Vac up to 230Vac, OUT 24Vac
COMB200A	Communication box in polycarbonate, IN 24Vac, OUT 24Vac
COMB300A	Communication box in polycarbonate, IN from 120Vac up to 127Vac, OUT 24Vac
IRHXXHXA	GEKO IRH illuminator, High Power
IRHxxLxA	GEKO IRH illuminator, Low Power
NVXTUB	Dust protection frontal shield
NVXIRBKT	Illuminator fastening support (GEKO IRH)
OHEPOWINJ	Hi-PoE Power Injector, 1 channel, for indoor installations
WASPT0V5L5M00	Water tank 5l (1.3gal), pump with delivery up to 5m (16ft), IN 230Vac-24Vac-120Vac
WASPT0V23L5M00	Water tank 23l (6gal), pump with delivery up to 5m (16ft), IN 230Vac-24Vac-120Vac
WASPT0V23L11M00	Water tank 23l (6gal), pump with delivery up to 11m (36ft) with water floating, IN 230Vac-24Vac-120Vac
WASPT1V23L30M00	Water tank 23l (6gal), pump with delivery up to 30m (98ft) with water floating, IN 230Vac
WASPT3V23L30M00	Water tank 23l (6gal), pump with delivery up to 30m (98ft) with water floating, IN 120Vac
WASNX1V10L20M00	Tank 10l (2.6gal) with integrated manual pump, controlled by solenoid valve, IN 230Vac, delivery head up to 30m (98ft), with 20m (66ft) antistatic water delivery pipe
WASNX2V10L20M00	Tank 10l (2.6gal) with integrated manual pump, controlled by solenoid valve, IN 24Vac, delivery head up to 30m (98ft), with 20m (66ft) antistatic water delivery pipe
WASNX3V10L20M00	Tank 10l (2.6gal) with integrated manual pump, controlled by solenoid valve, IN 120Vac, delivery head up to 30m (98ft), with 20m (66ft) antistatic water delivery pipe

BRACKETS AND ADAPTORS

UEAP	Pole adaptor in stainless steel AISI 316L
UEAC	Corner adaptor in stainless steel AISI 316L
UEAW	Counter-plate in stainless steel AISI 316L

PACKAGE

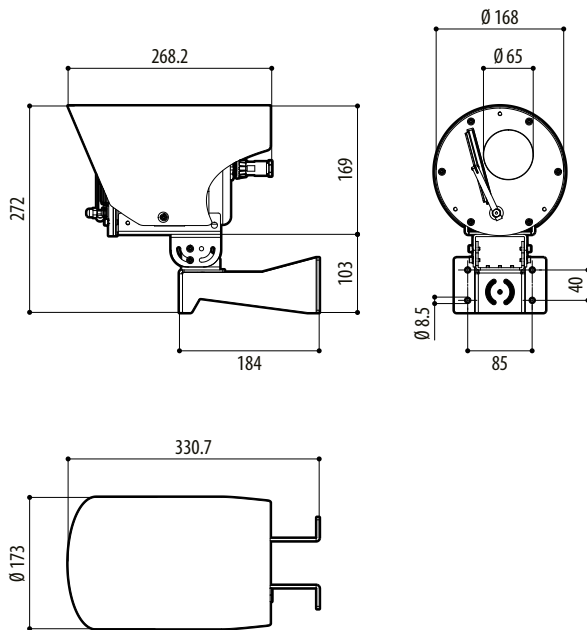
Model Number	Weight	Dimensions (WxHxL)	Master carton
NVX2xxxxxA	6.2kg (13.7lb)	36x35x23cm (14x14x9in)	-

NVX WITH DELUX TECHNOLOGY- CONFIGURATION OPTIONS

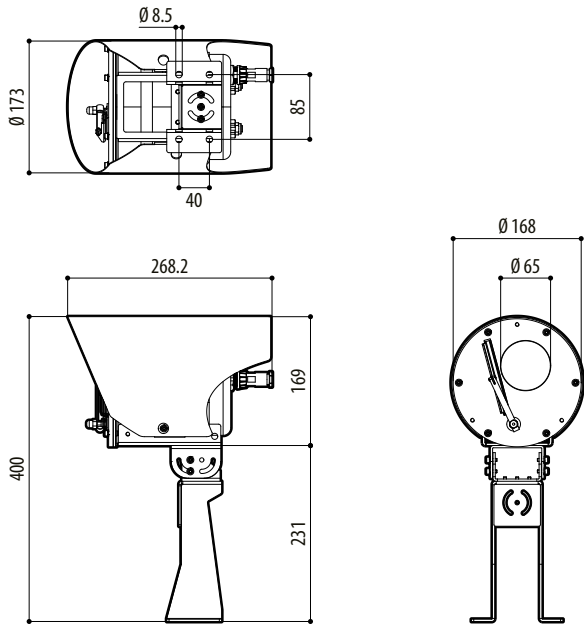
	Voltage	Camera	Versions		Revision
NVX	2 24Vac/24Vdc/PoE+	10 Super low-light Day/ Night camera, FULL HD 1080p, 30x, with DELUX technology	W With wiper/Glass window	00 Without integrated video analytics (without VIDEOTECH ANALYTICS)	A Complies with ONVIF, Profile Q, Profile S and Profile T
			S Without wiper/Glass window		J Complies with ONVIF, Profile S and Profile T
			P Without wiper/Polycarbonate window		

TECHNICAL DRAWINGS

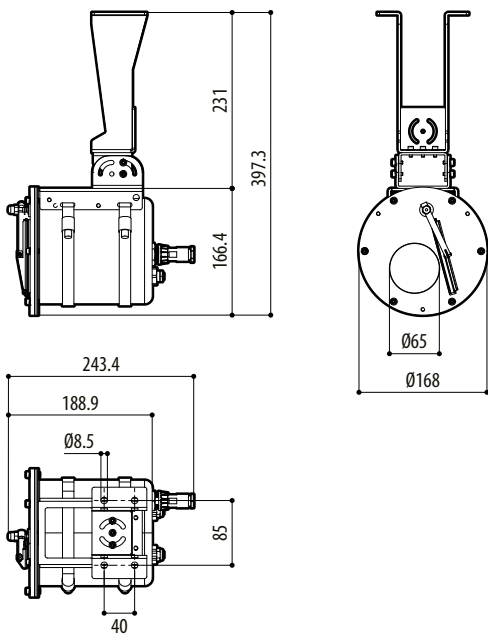
The indicated measurements are expressed in millimetres.



NVX, WALL MOUNTING



NVX, PARAPET MOUNTING



NVX, CEILING MOUNTING