

NTL

LARGE HOUSING FOR THERMAL CAMERAS

MAIN FEATURES

Made of AISI 316L electropolished stainless steel

Germanium window

For highly aggressive environments

IP66/IP67

Available with different window dimensions: Ø 55mm (2.1in), Ø 70mm (2.8in) and Ø 110mm (4.3in)

Available accessories: heater, camera power supply

DESCRIPTION

This housing for thermal camera provides the vision also in complete darkness, fog, rain, smoke or for long-range distances.

It is possible to use it for a wide range of high-security surveillance systems, such as: monitoring and rescue in the event of a fire, public safety, along with airport, industrial and environmental surveillance.

The germanium window is external non-scratch treated, Hard Carbon Coating (DLC), and internal antireflection; the spectral range is from 7.5 to 14µm.

The big dimensions of this camera housing make it suitable to contain the largest zoom lenses of the market.

The NTL housing can be installed on NXPTH Pan & Tilt head, to obtain a complete positioning system.



NTL + NXWBL



NTL + NXWBL

AVAILABLE MODELS

Model Number	Housing sunshield	Power supply 230Vac	Ø germanium window
NTL1K1000	✓	✓	55mm (2.1in)
NTL1K1300	✓	✓	70mm (2.8in)
NTL1K1500	✓	✓	110mm (4.3in)

TECHNICAL DATA**GENERAL**

Constructed from electropolished stainless steel (austenitic alloy stainless steel, corrosion and heat resistant according to the following standards):

AISI 316L

UNI 6900-71: X 2 Cr Ni Mo 17 12 2

DIN 17006: X 2 Cr Ni Mo 17 13 2

N° werkstoff 1.4404

AFNOR: Z2 CND 17-12

BSI: 316S11

The screws utilised are in austenitic alloy stainless steel, corrosion and heat resistant according to the following standards:

- UNI 6900: X 5 Cr Ni Mo 1712
- AISI: 316
- ISO quality: A4
- Resistance class ISO: 80

UNI: Ente Nazionale Italiano di Unificazione, AISI: American Iron and Standard Institute, DIN: Deutsche Industrie Normen, AFNOR: Association Française de Normalisation, BSI: British Standard Institution, ISO: International Organization for Standardization.

MECHANICAL

Cable glands: 4xPG13.5 (nickel-plated brass for external connections)

Flange thickness: 12mm (front), 9mm (back)

External body polishing

Gaskets: High sealing O-ring

Internal usable area (WxH): 112x112mm (4.4x4.4in)

Internal usable length: 562mm (22.1in)

Internal usable length (with heater): 477mm (18.7in)

Unit weight: 13kg / 28.7lb

Germanium window

- NTL1K1000 (internal) Dimensions (Ø): 70mm (2.8in) (external), 55mm (2.1in)
- NTL1K1300 (internal) Dimensions (Ø): 85mm (3.3in) (external), 70mm (2.8in)
- Thick: 2mm (0.07in)
- NTL1K1500 (internal) Dimensions (Ø): 125mm (4.9in) (external), 110mm (4.3in)
- Thick: 3mm (0.1in)
- External scratch-resistant treatment: Hard Carbon Coating (DLC)
- Internal antireflection treatment
- Spectral range: 7.5µm ÷ 14µm
- Medium transmittance (7.5µm ÷ 11.5µm): 94%
- Medium transmittance (11.5µm ÷ 14µm): 90%

ELECTRICAL

Heating (Ton 15°C±3°C (59°F ±5°F), Toff 22°C±3°C (77°F±5°F))

- Power supply/Consumption: IN 12Vdc/24Vac, 20W max
- Power supply/Consumption: IN 120/230Vac, 40W max

ENVIRONMENT

Indoor/Outdoor

Operating temperature with heating: -20°C / +60°C (-4°F / +140°F)

CERTIFICATIONS

CE: EN61000-6-3, EN60065, EN50130-4

IP66/IP67 EN60529

ACCESSORIES

ONXLH1 Heater 120/230Vac

ONXLH2 Heater 12Vdc/24Vac

ONXPS1B Wide range power supply for camera IN 100-240Vac - OUT 12Vdc, 1A

ONXPS2B Camera power supply IN 230Vac - OUT 24Vac, 400mA

BRACKETS AND ADAPTORS

NXWBL Stainless steel wall bracket with joint

RELATED PRODUCTS

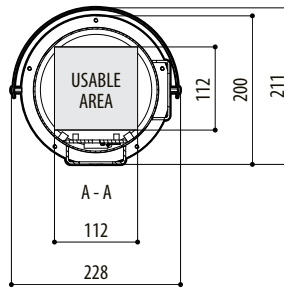
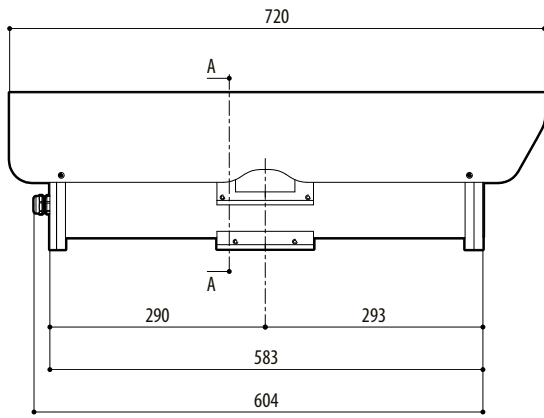
NXPPTH Stainless steel Pan & Tilt

PACKAGE

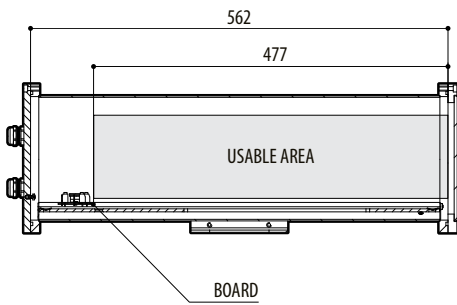
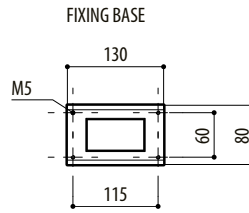
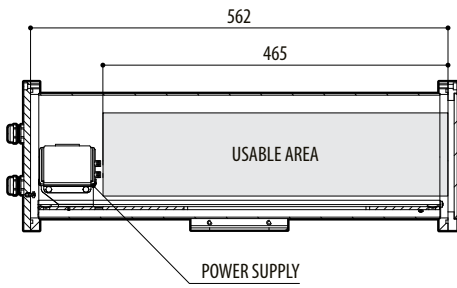
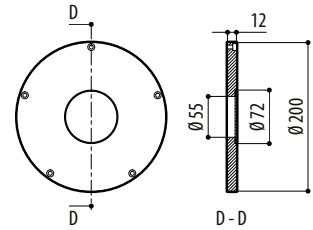
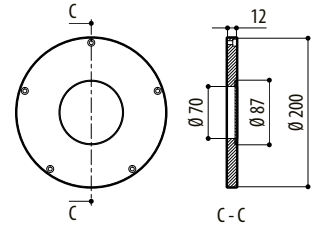
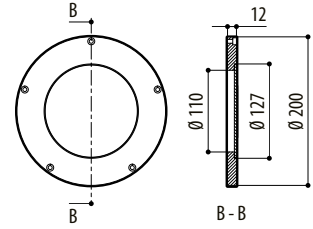
Model Number	Weight	Dimensions (WxHxL)	Master carton
NTL1K1000	15kg / 33.5lb	29.5x35x75cm (11.6x13.8x29.5in)	-

TECHNICAL DRAWINGS

Sizes in millimeters.



FRONT FLANGE



NTL

