

GEKO IRH

LED ILLUMINATOR

MAIN FEATURES

High efficiency SMD LED
 High efficiency heat sink body to ensure maximum LED durability
 Strong aluminium structure
 Beam pattern: 10°, 30°, 60°
 Wavelengths: 850nm, 940nm and white light
 Adjustable built-in photocell
 VOLT free relay contact for external activation
 It can be mounted under a housing using the OSUPPIR bracket
 Supplied with a wall-mount bracket
 IP66/IP67

DESCRIPTION

State of the art illuminator, which provides high reliability and excellent image quality. The GEKO lights the entire scene evenly, eliminating hotspots and underexposures, for unbeatable night-time images and secure surveillance of the area. The high efficiency heat sink body ensures maximum LED durability and protection against over-temperatures, whereas the front glass, made of special technopolymer, provides high infrared transmittance (transparent glass in the white light version). The GEKO illuminators are protected against electrostatic discharges.

These illuminators incorporate a circuit that allows them to be powered directly from a 12-24Vdc or 24Vac supply.

A weatherproof box with 230Vac or 120Vac power supply is available as accessory for one or two GEKO illuminators.

GEKO is supplied with a wall-mount bracket that rotates horizontally and vertically and can be assembled in a housing by means of the OSUPPIR bracket.

The GEKO infrared illuminator guarantee is 5 years, while for GEKO with the white light is 2 years.



GEKO IRH



GEKO IRH WHITE LIGHT



HOV + OSUPPIR + GEKO IRH + WBJA

GEKO IRH - CONFIGURATION OPTIONS

	Beam patterns	Power supply	Wavelength	
IRH	10 Narrow	H High power	8 850nm	A
	30 Medium	L Low power	9 940nm	
	60 Wide		W White light	

The white light (W) is only available in high-power (H) with lens 30° or 60°.

TECHNICAL DATA

GENERAL

Die cast aluminium body
 Supplied complete with horizontal and vertical rotating support in painted galvanized steel
 Wavelengths: 850nm, 940nm and white light

MECHANICAL

Dimensions: 133x112x135mm (5.2x4.4x5.3in)
 Unit weight: 0.9kg

ELECTRICAL

Power supply: 12-24Vdc or 24Vac, 50/60Hz
 Consumption: 6-12W
 State of the art SMD LED
 Adjustable built-in photocell for automatic activation and deactivation
 Input for activation by means of a volt free relay contact
 Supplied with multipole cable: 4xAWG22 (0,34mm²), L=2m

ENVIRONMENT

Indoor/Outdoor
 Operating temperature: -50°C (-58°F)/+60°C (140°F)
 IP66/IP67 according to EN60529

CERTIFICATIONS

Electrical safety: EN60598
 Photobiological safety of lamps and lamp systems: EN 62471
 Electromagnetic compatibility: EN55022, Class A
 Immunity: EN50130-4
 FCC Part 15, Class A

ACCESSORIES

IRHPS230 Power supply for 2 GEKO IRH illuminators, IN 230Vac 50/60Hz - OUT 24Vac 30W
 IRHPS120 Power supply for 2 GEKO IRH illuminators, IN 120Vac 50/60Hz - OUT 24Vac 30W

BRACKETS AND ADAPTORS

OSUPPIR Bracket for mounting 1 GEKO IRH illuminator under the housing

PACKAGE

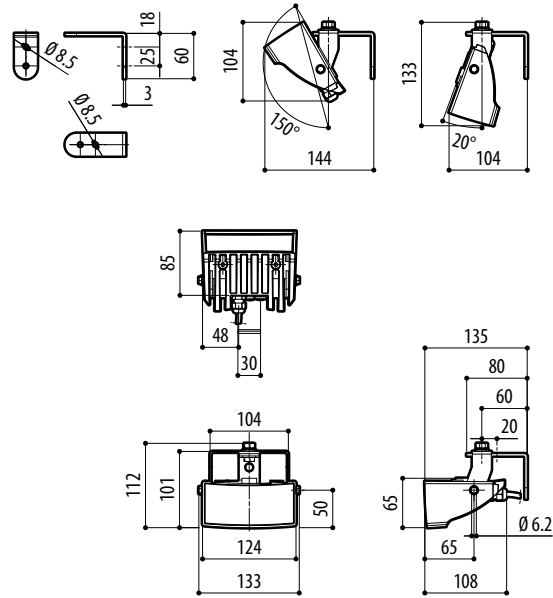
Model Number	Weight	Dimensions (WxHxL)	Master carton
IRH10H8A	1.0kg (2.2lb)	23x10x16cm (9x3,9x6,3)	14

GEKO IRH - BEAM PATTERN AND ACHIEVABLE DISTANCES

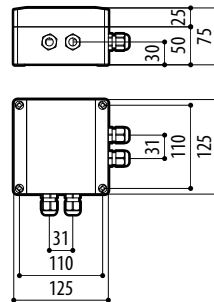
Horizontal/vertical beam patterns	Wavelength 850nm, low power	Wavelength 850nm, high power (=1,4 x low power)	Wavelength 940nm	White light
10°	100m (328ft)	140m (460ft)	100m (328ft)	
30°	60m (197ft)	84m (276ft)	60m (197ft)	60m (197ft) ¹
60°	40m (131ft)	56m (184ft)	40m (131ft)	40m (131ft) ¹

The distances and the performance depend on the camera/lens used and on the environmental conditions.

¹ Achievable distances with camera in Day mode (colour image)



GEKO IRH



IRHPS