

# HOV HI-POE IPM

ALUMINIUM HOUSING WITH IPM TECHNOLOGY FOR IP CAMERAS



HOV HI-POE IPM + GEKO IRH



HOV HI-POE IPM + CAMERA

## DESCRIPTION

The HOV Hi-PoE IPM housing optimally operates with POE and Hi-POE technology, using the power supplied by the Ethernet cable as the sole source of power for all connected devices, thus ensuring maximum efficiency and flexibility of the network system as well as user-friendly installation and low costs.

The innovative IPM (Intelligent Power Management) system enables extremely quick and easy installation with the use of a single Ethernet connecting cable.

The Hi-POE IPM system automatically detects all the options, like heating, fan and illuminator and then autonomously balances the power to ensure suitable distribution of the same to the connected devices. This guarantees the optimal operation of the IP camera between -30°C (-22°F) and +60°C (140°F), with heat regulation and cold start (activation at low temperature).

The IPM system offers an opportunity to refit analogue systems with already installed housings by simply changing the slide and internal electronics. This enables the digital conversion, speeding up the installation and thereby minimizing costs and environmental impact.

## MAIN FEATURES

IPM technology (Intelligent Power Management)

PoE/Hi-PoE power supply for heating, demisting, illuminator, fan and PoE network camera

Compatible with IEEE 802.3af, IEEE 802.3at/PoE Plus

IP66/IP67 (with cable glands or optional sealing rings)

Special cable gland for a fast Ethernet connection/disconnection without cutting the RJ45 connector

Pre-arranged for internal cable management bracket

Version with fan with double air filter

Version with anti-icing heated glass

Pre-arranged to supply a GEKO IRH illuminator

## TECHNICAL DATA

### MECHANICAL

Constructed from aluminium

Sunshield in ABS

Epoxypolyester powder painting, RAL9002 colour

Stainless steel external screws

Internal usable area (WxHxL): 100x70x250mm (3.9x2.7x9.8in)

Cable glands: 1xM12, 1xM16, 1xM20

Glass window extra clear

- Dimensions (WxH): 118x75mm (4.6x2.7in)

Unit weight: 3.1kg (6.6lb)

### ELECTRICAL

Power absorbed in input: PoE class 3 (13W) or Hi-PoE class 4 (25W) selectable from dip switch

Available power for camera (PoE IN class 3): PoE Class 2 (7W)

Available power for camera (Hi-PoE IN class 4): PoE class 3 (13W) with Ton  $-10^{\circ}\text{C} \pm 2^{\circ}\text{C}$  "cold start" function

Data line: 10/100Base-T

Illuminator GEKO IRH, low power: 6W

Heater: 8W, electronically controlled, Ton  $20^{\circ}\text{C} \pm 2^{\circ}\text{C}$  ( $68^{\circ}\text{F} \pm 4^{\circ}\text{F}$ ), Toff  $23^{\circ}\text{C} \pm 2^{\circ}\text{C}$  ( $73.4^{\circ}\text{F} \pm 4^{\circ}\text{F}$ )

Fan with thermostat for camera cooling for versions with double air filter: Ton  $35^{\circ}\text{C} \pm 2^{\circ}\text{C}$  ( $95^{\circ}\text{F} \pm 4^{\circ}\text{F}$ ), Toff  $32^{\circ}\text{C} \pm 2^{\circ}\text{C}$  ( $89.6^{\circ}\text{F} \pm 4^{\circ}\text{F}$ )

Demisting with forced hot air: 5W

Anti-icing heated glass: 5W, Ton  $30^{\circ}\text{C} \pm 2^{\circ}\text{C}$  ( $86^{\circ}\text{F} \pm 4^{\circ}\text{F}$ ), Toff  $33^{\circ}\text{C} \pm 2^{\circ}\text{C}$  ( $91.4^{\circ}\text{F} \pm 4^{\circ}\text{F}$ )

Compatible with IEEE 802.3af, IEEE 802.3at/PoE Plus

Compatible with the Power Injector (OHEPOWINJ: VIDEOTEC optional accessory)

### ENVIRONMENT

For installation indoors and outdoors

Operating temperature: From  $-10^{\circ}\text{C}$  ( $14^{\circ}\text{F}$ ) up to  $+60^{\circ}\text{C}$  ( $140^{\circ}\text{F}$ )

Operating temperature (with heater): From  $-30^{\circ}\text{C}$  ( $-22^{\circ}\text{F}$ ) up to  $+60^{\circ}\text{C}$  ( $140^{\circ}\text{F}$ )

### CERTIFICATIONS

Electrical safety (CE): EN60950-1, IEC60950-1

Electromagnetic compatibility (CE): EN50130-4, EN61000-6-3, EN55022 Classe B, FCC Part. 15 Class B

Outdoor installation (CE): EN60950-22, IEC 60950-22

IP protection degree: EN60529

- IP66/IP67 (with cable glands)
- IP66/IP67 (with sealing rings and an internal cable channel)
- IP55 (with bracket with internal cable channel)
- IP44 (for models with double filter for ventilation)

Salty fog resistance: ISO9227, to 1000 hours

UL certification: cULus Listed, TYPE 4X (except for version with double filter for the air exchange, HOV32K2A716)

EAC certification

## ACCESSORIES

OHEPOWINJ	Hi-PoE Power Injector, 1 channel
OWBIP3	Sealing rings kit (1xM12 - 1xM16 - 1xM20) IP66/IP67 for WBOVA2 and WCM4A2 brackets for VERSO Hi-PoE IPM and HOV Hi-PoE IPM housings
OHEGBB	Weatherproof junction box
OSUPPIR	Support for 1 GEKO IRH illuminator under the housing (Not compatible with WBOVA2 wall bracket)

## RELATED PRODUCTS

PTH300	Horizontal/vertical Pan & Tilt
IRH10L8A	LED Illuminator, $10^{\circ}$ , 850nm, 24Vac - 12/24Vdc
IRH30L8A	LED Illuminator, $30^{\circ}$ , 850nm, 24Vac - 12/24Vdc
IRH60L8A	LED Illuminator, $60^{\circ}$ , 850nm, 24Vac - 12/24Vdc

## BRACKETS AND ADAPTORS

WBJA	Wall mount bracket
WBOVA2	Wall bracket with internal cable channel
WBOV3A2	Wall bracket with internal cable channel, counterplate and support box, not compatible with OHEBVF1, OHEBVF2 and OHEBVF3
WCM3A	Ceiling bracket with ball joint
WCM5A	Ceiling bracket with ball joint
WCM4A2	Ceiling bracket with internal cable channel
WFWCA	Column bracket with joint

## SPARE PARTS

OHOVPOEIPM	Maintenance/retrofit kit for HOV and HOV HI-POE IPM housings
OHOV32SUP	Complete upper body

## PACKAGE

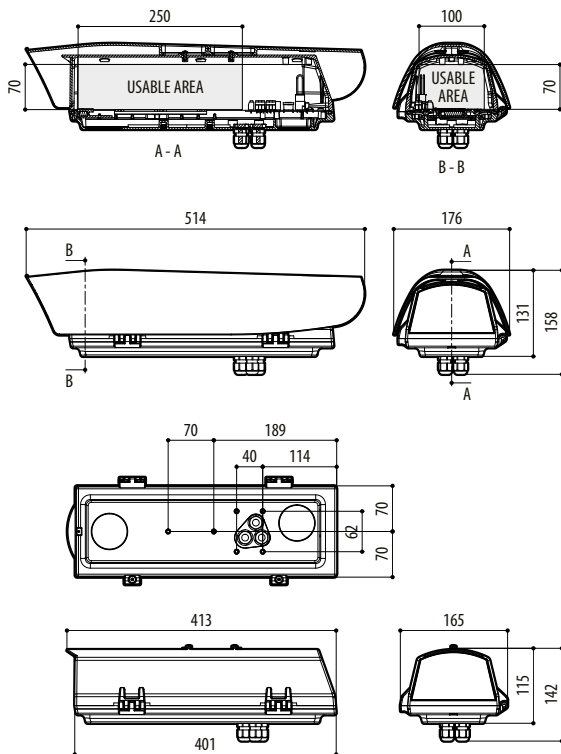
Model Number	Weight	Dimensions (WxHxL)	Master carton
HOV32K2A700	3.4kg (7.5lb)	19.5x14.5x53cm	4

## HOV HI-POE IPM AVAILABLE MODELS AND FEATURES

Operating temperature	Injector	Camera	Demisting heating system	Illuminator	Heater	Anti-icing heated glass	Fan with double air filter	Model Number
From -10°C (14°F) up to +60°C (140°F)	PoE class 3 (13W)	PoE max. class 2 (7W)	✓	–	–	–	✓	HOV32K2A716
	Hi-PoE class 4 (25W)	PoE max. class 3 (13W)	✓	✓	–	–	✓	HOV32K2A716
From -10°C (14°F) up to +60°C (140°F)	PoE class 3 (13W)	PoE max. class 2 (7W)	✓	–	–	–	–	HOV32K2A700
	Hi-PoE class 4 (25W)	PoE max. class 3 (13W)	✓	✓	–	–	–	HOV32K2A700
From -30°C (-22°F) up to +60°C (140°F)	Hi-PoE class 4 (25W)	PoE max. class 3 (13W)	✓	–	✓	–	–	HOV32K2A700
	Hi-PoE class 4 (25W)	PoE max. class 3 (13W)	✓	–	✓	✓	–	HOV32K2A720

## TECHNICAL DRAWINGS

The dimensions of the drawings are in millimetres.



HOV HIPOE IPM