

MEDUSA

UNIVERSAL DOME HOUSING FOR DISCREET SURVEILLANCE

MAIN FEATURES

Patented top-opening system

Made of aluminium with bubble in acrylic

Indoor / Outdoor

IP66

Wall, ceiling or parapet application with cable management brackets

Universal internal adapter suitable for the most popular speed domes and network PTZ cameras on the market, like: AXIS, PANASONIC, SONY, JVC, CANON, ACTi, GRANDEYE, COMPRO TECHNOLOGIES, etc

Transparent or smoked bubble

Special adapter for several speed domes

DESCRIPTION

Medusa is ideal for discreet surveillance in outdoor public areas such as monitoring of towns, shopping malls, airports, train stations.

Its special design allows the camouflage as a normal lighting system.

The MEDUSA dome housing offers a unique top-opening system, designed to give easy access to all cabling, connections and the dome camera for an incredibly comfortable installation and service.

The lower semisphere is available in clear or smoked acrylic.

Different mounting options are available, all with internal cable management: wall bracket, corner and pole adapters.



MEDUSA + DBH06



MEDUSA + DBH06 + PTCC1



MEDUSA + DBH06 + DBHWGC

AVAILABLE MODELS

Dome enclosure

DBH18K0F022	Dome enclosure with sunshield and smoked bubble (camera adapter not included)
DBH18K0F028	Dome enclosure with sunshield and clear bubble (camera adapter not included)

Internal camera adapters

ODBH18H110	Camera adapter with fan-assisted heater IN 100-240Vac and camera power supply OUT 100/240Vac or 12Vdc, 3A max
ODBH18H211	Camera adapter with fan-assisted heater IN 24Vac
ODBH18H114	Camera adapter for SONY SNC-RX-530, SNC-RX-550, SNC-RX-570, SNC-RH-124P, SNC-RS-44P, SNC-RS-46P, with fan-assisted heater IN 100-240Vac, camera power supply OUT 12Vdc, 3A

TECHNICAL DATA

GENERAL

Constructed from die-cast aluminium
 Epoxypolyester powder painting, RAL9002 colour
 Lower semisphere: in transparent or smoked acrylic (in this case the loss of luminosity is 1 lux)
 Sunshield in ABS for outdoor, RAL9002 colour

MECHANICAL

External dimensions with sunshield Ø 351x335mm (14x13in)
 External dimensions without sunshield: Ø 314x322mm (12x13in)
 Cable glands: 3xM16 allowing Ø cable 3,5-7mm (0.1-0.3in), 1xM12 allowing Ø cable 5-10mm (0.2-0.4in)
 Unit weight: 4.2kg (9.3lb) (without camera adaptor)

ELECTRICAL

Heater (Ton 15°C±3°C (59°F ±5°F), Toff 22°C±3°C (77°F±5°F))

- IN 24Vac, consumption 24W max
- IN 100/240Vac, consumption 44W max

Camera power supply included with internal adapter

- IN 100/240Vac, 50/60Hz, OUT 12Vdc, 3A max
- IN 100/240Vac, 50-60Hz, OUT 24Vdc, 1.5A max
- IN 230Vac, 50/60Hz, OUT 24Vac, 2A max
- IN 24Vac/24Vdc, 50/60Hz, OUT 12Vdc, 2A max

Heater fan assistant, continuous duty (Ton 15°C±3°C (59°F ±5°F), Toff 22°C±3°C (77°F±5°F))

- IN 12Vdc, consumption 4W max

ENVIRONMENT

Indoor/Outdoor
 Operating temperature with heating: -20°C / +60°C (-4°F / +140°F)

CERTIFICATIONS

CE EN61000-6-3, EN60950-1, EN50130-4
 IP66 EN60529

BRACKETS AND ADAPTORS

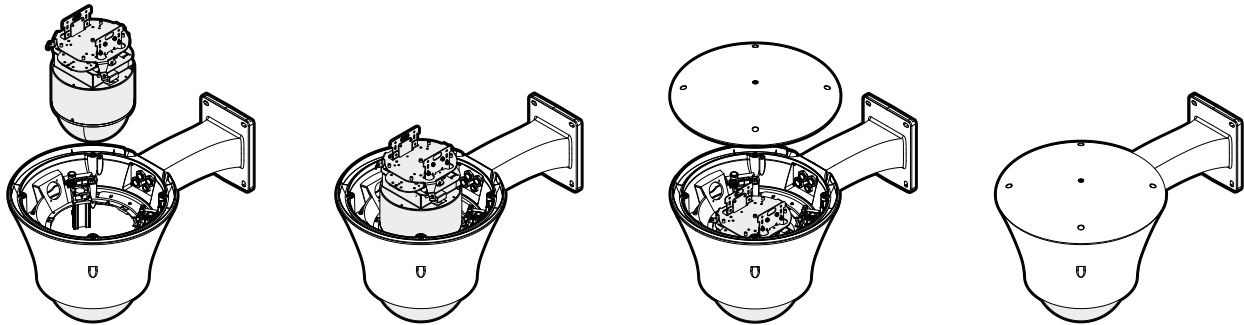
DBH06 Cable management wall mount
 DBH07 Cable management ceiling / parapet mount
 PTCC1 Pole mount adaptor
 DBHWGC Pole adapter Ø 210mm, max 225mm (8.2in, max 8.9in)
 WCWGC Corner mount adaptor

SPARE PARTS

ODBH18PLFR Smoked bubble
 ODBH18PLTR Transparent bubble

PACKAGE

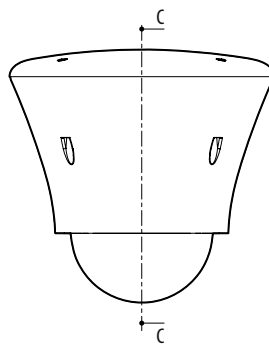
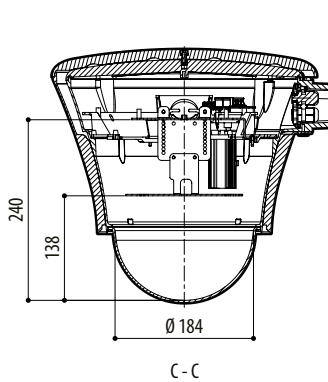
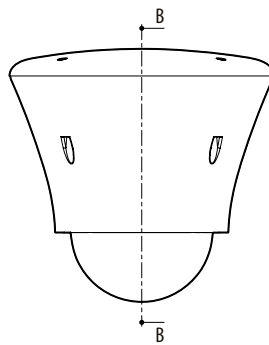
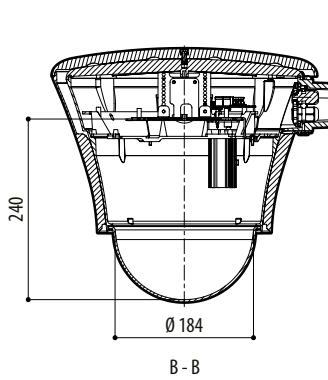
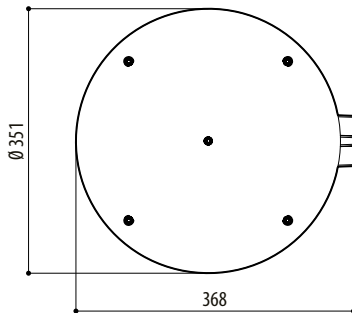
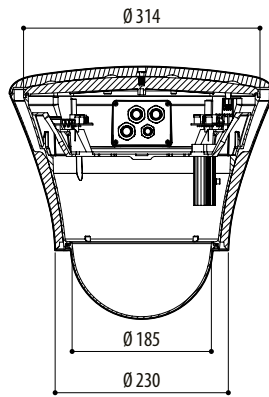
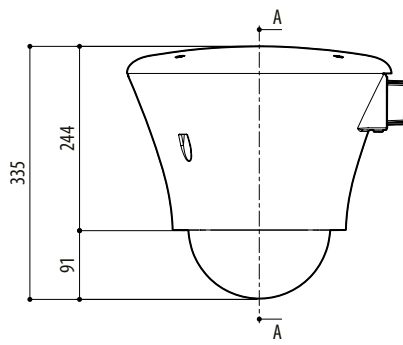
Model Number	Weight	Dimensions (WxHxL)	Master carton
DBH18K0F022	5.3kg (12lb)	38x38x41cm (15x15x16in)	18



EASY INSTALLING IN 4 STEPS.

TECHNICAL DRAWINGS

Sizes in millimeters.



MEDUSA

