



PRODUCT SPECIFICATION

MODEL: V1404L

PRODUCT CODE: 0562-10

DESCRIPTION: MANUAL VIDEO SWITCHER

The V1404L Switcher, housed in a compact PHASE EIGHT® module, is a cascadable four-position passive switcher. The cascade feature, as shown in Figure 1, permits the interconnection of a maximum of eight four-position switchers in one PHASE EIGHT Card Cage. The switchers are electrically arranged with priority on the lowest order position, in the event two positions are selected simultaneously. The V1404L provides a looping video output for each of the video inputs. If a looping output is not used, the output BNC connector must be terminated with a 75-ohm resistance. Four 75-ohm terminators are supplied with the switcher.

PHASE EIGHT modules may either be rack-mounted or installed in desktop units. The VP8RK holds any combination of single-, double-, or triple-size modules totaling eight positions. When desktop installations are desired, the V4DTB-2 and V8DTB-2 are available with four and eight positions, respectively. (Note: the VP8RK must be used with the V8DTB.) Blank filler panels are available for filling unused spaces in the VP8RK, V4DTB, and V8DTB racks.

ASSOCIATED EQUIPMENT AND ACCESSORIES

CARD CAGE ASSEMBLY

Model VP8RK: Accommodates eight single-size modules, or a combination of single-, double-, and triple-size modules totaling eight positions. For installation in a standard 19-inch rack or desktop installations in the V8DTB. Product Specification 416.

NOTES	SPEC NO.	REV.	SEC.
SUPERSEDES PRODUCT SPECIFICATION 321-885	321	691	4



V1404L MANUAL SWITCHER

CLOSURE PANELS

Model VP8CP-1, -2, -3: Used for front and rear closure of unused rack positions. Suffix indicates panel width. Product Specification 416.

DESK-TOP ENCLOSURES

Model V4DTB-2: Accommodates single-, double-, and triple-size modules up to a total of four positions. Units can be stacked. Includes rear cover panel to enclose wiring. Product Specification 455.

Model V8DTB: Designed to accommodate the V8RPK for desktop installations. Includes rear cover panel to enclose wiring. Product Specification 525.

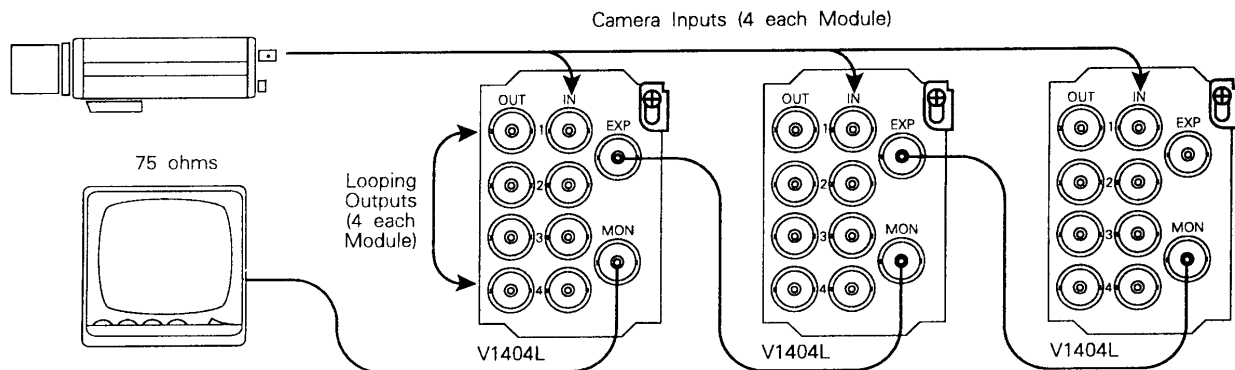


Figure 1
Cascaded V1404L Switchers

Product specifications subject to change without notice.
Copyright © 1991 Vicon Industries Inc. All rights reserved.

Vicon part number 8006-7321-00-00
Vicon and its logo are registered trademarks of Vicon Industries Inc.
PHASE EIGHT is manufactured under U.S. patent 4,700,230



VICON INDUSTRIES INC. 89 ARKAY DRIVE, HAUPPAUGE, N.Y. 11788
TEL: 516-952-CCTV (2288) ♦ **FAX:** 516-951-CCTV (2288)
TOLL FREE: 800-645-9116 ♦ **UK:** 44/(0)1489/566300 ♦ **INFOFAX:** 800-287-1207
WORLD WIDE WEB: www.vicon-cctv.com

TECHNICAL INFORMATION

VIDEO

Input Impedance: 75 ohm.

Output Impedance: Equal to input source.

Video Frequency Response: DC 10 MHz \pm 0.5 dB.

Video Crosstalk (Input to Input): 40 dB to 4.2 MHz.

Weight: 1.0 lb (0.45 kg).

Construction: Aluminum frame, molded black plastic front panel, black polycarbonate bezel.

Shipping Dimensions: Height: 3.8 in. (9.7 cm).
Width: 6.3 in. (16.0 cm).
Depth: 14.0 in. (35.6 cm).

Shipping Weight: 1.4 lb (0.6 kg).

CONTROLS

Camera Select: Noninterlocked push buttons, on/off (4).

Shipping Volume: 0.2 ft³ (0.005 m³).

MECHANICAL

Size: Single width module.

Overall Dimensions (max.): See Figure 2.
Height: 3.5 in. (8.9 cm).
Width: 2.1 in. (5.4 cm).
Depth: 10.9 in. (27.7 cm).
Including connectors.

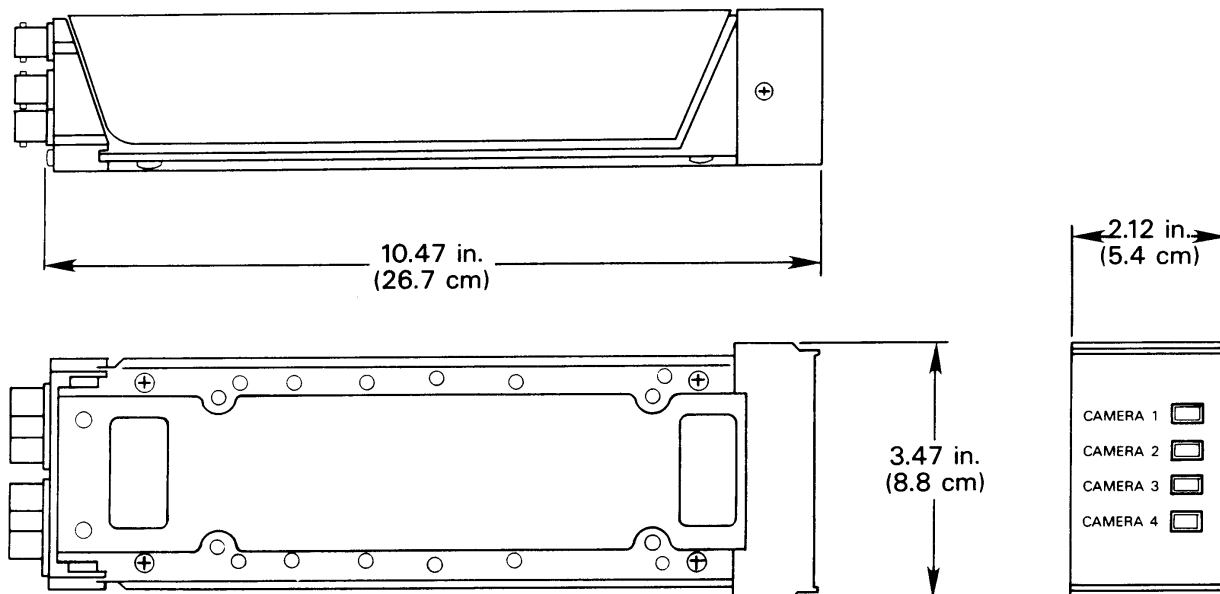


Figure 2
V1404L Outline Drawing