

## Cruiser™ Vandal PTZ Domes



- 580 TVL high-resolution Sony EXview HAD CCD
- 22X optical and 16X digital zoom
- 0.5 lux color/0.001 lux B&W (slow shutter)
- IP66 vandal-resistant aluminum housing
- Privacy masks
- Vicon and Pelco protocols (RS-485)

### Description

The Cruiser™ S660V outdoor PTZ camera dome is available in two versions. Both versions include the same high resolution camera/lens combination that provides analog video transmission over coaxial cable. One version also includes a heater and sunshield for installation in those environments that require extra protection from the elements, model S660VW.

### Construction and Installation

The S660V is designed for easy installation. The dome can be surface mounted or it can be pendant mounted when used with a pendant mounting accessory.

The lower dome is constructed of impact-resistant, polycarbonate and is secured by tamper-proof screws, providing anti-vandal security. Several mounting accessories are available to fit almost any installation need.

### Camera Optics and PTZ Features

The S660V includes an integral camera and lens. A 3.9-85.8 mm varifocal lens with an optical 22X zoom provides superb sharpness and excellent sensitivity. The day/night camera is an EXview™ HAD CCD device with a digital 16X zoom and resolution of 580 TV lines. Selectable Wide Dynamic Range (WDR) for improved images in high-contrast environments; DNR corrects imperfections in the image to provide a clearer image.

The camera provides a full 360° continuous rotation and a 0° to 180° tilt range. 240 programmable presets are provided, as well as 8 tours, 8 patterns (autotours) and 16 auto scans (sectors). Autopan capability is provided, as are one alarm input and one alarm output.

A multi-language OSD menu system allows setting many of the camera features, including motion detection, 8 privacy zones and titling.

## Video Transmission

|                                  |   |
|----------------------------------|---|
| <b>Video Output Impedance:</b>   | 1.0 V p-p. 75 ohms composite.   |
| <b>Control Protocol Formats:</b> | RS-485 protocol; built-in RS-485 receiver.<br>Baud Rate 2400 - 19.2k bps. |

## Electrical

|                                      |  |
|--------------------------------------|--|
| <b>Input Voltage:</b>                | 24 VAC or 12 VDC $\pm$ 10% for dome.<br>24 VAC $\pm$ 10% for heater and fan. |
| <b>Current:</b>                      | 0.5 A @ 24 VAC.<br>1.9 A @ 24 VAC with heater and fan.                       |
| <b>Power Consumption:</b>            | 12 W for dome only.<br>45 W with heater and fan.                             |
| <b>Maximum Power Cable Distance:</b> | See Table.   |
| <b>Certifications:</b>               | CE; FCC Class A.<br>International Protection (IP) Rating: IP66.              |

## Operational

|  |   |
|--|---|
| <b>Pan Range:</b>                        | 360° continuous.  |
| <b>Pan Speed:</b>                        | Preset & Manual: 380°/sec, max.   |
| <b>Tilt Range:</b>                       | 0 - 180°, digital flip.   |
| <b>Tilt Speed:</b>                       | Preset: 380°/sec; Manual: 300°/sec, max.  |
| <b>Variable Speed:</b>                   | 0.1°/sec to 380°/sec.   |
| <b>Communication Protocol:</b>           | RS-485.<br>Vicon, Pelco-P, Pelco-D, Fastrax II, Fastrax IIE. DIP switch selectable.                           |
| <b>Preset Capability*:</b>               | 240 programmable (59 with Vicon keypad).  |
| <b>Tour Capabilities:</b>                | 8 tours available. 42 functions per tour.   |
| <b>Pattern* (Autotour) Capabilities:</b> | 8 patterns available with PTZ dwell time up to 200 sec (4 with Vicon keypad).                                 |
| <b>Alarm Capabilities:</b>               | 1 alarm input, programmable NC/NO.<br>1 (5VTTL) output.   |
| <b>Control Display:</b>                  | On-screen, menu-driven system allowing full configuration of the dome.  |
| <b>Auto Scan (Sectors)*:</b>             | 16 programmed angles at programmable speeds (8 with Vicon keypad); 1 autopan.                                 |
| <b>Multi-Language Menu:</b>              | English, French, German, Italian, Spanish, Polish, Portuguese.  |
| <b>Camera Titling:</b>                   | On/Off, 6 characters per title.   |
| <b>Auto Baud:</b>                        | Auto baud detection in RS-485 mode. 2400, 4800, 9600, 19,200 bps baud rates supported. DIP switch selectable. |

\* These numbers will vary depending on the keypad used.

## Camera and Optics

|                                  |  |
|----------------------------------|--|
| <b>Image Device:</b>             | 1/4-inch Sony EXview day/night HAD CCD.  |
| <b>Sensitivity:</b>              | Color: 0.05 fc (0.5 lux).<br>B&W, slow shutter: 0.0001 fc (0.001 lux), 30 IRE. |
| <b>Horizontal Resolution:</b>    | 580 TV lines.  |
| <b>S/N Ratio:</b>                | Greater than 50 dB.  |
| <b>Synchronization:</b>          | Internal/Line Lock (external), selectable.                                     |
| <b>Gain Control:</b>             | Automatic/Manual.  |
| <b>Day/Night:</b>                | True day/night (IR cut filter).<br>Auto/Color/BW/Global, selectable.           |
| <b>Backlight Compensation:</b>   | On/Off.  |
| <b>Wide Dynamic Range:</b>       | On/Off.  |
| <b>Iris Control:</b>             | Automatic/Manual.  |
| <b>Digital Noise Reduction:</b>  | 3D/2D.   |
| <b>Video Focus:</b>              | Automatic/Manual.  |
| <b>White Balance:</b>            | Automatic/Manual; Red/Blue adjustable.   |
| <b>Privacy Masks:</b>            | 8.   |
| <b>Motion Detection:</b>         | Yes.   |
| <b>Digital Slow Shutter:</b>     | On/Off.  |
| <b>Electronic Shutter Speed:</b> | 1/60 (1/50, PAL) - 1/100,000.  |
| <b>Digital Zoom:</b>             | 16X.   |
| <b>Focal Length:</b>             | 3.9 - 85.8 mm  |
| <b>Aperture:</b>                 | f/1.6 - f/3.7.   |
| <b>Minimum Object:</b>           | 3.3 ft (1 m).  |
| <b>Optical Zoom Ratio:</b>       | 22X.   |
| <b>Horizontal Angle of View:</b> | 49.5° wide, 2.4° tele.   |

## Mechanical

|                      |   |
|----------------------|---|
| <b>Mounting:</b>     | Surface (wall or ceiling); "W" version requires mounting accessory.   |
| <b>Construction:</b> | Aluminum, steel and plastic; tamperproof screws.  |
| <b>Dimensions:</b>   | Without Sunshield: H: 5.5 in. (140 mm);<br>diam: 6.1 in. (154 mm).<br>With Sunshield: H: 8.1 in. (205 mm); diam:<br>7.3 in. (186 mm).<br>Dome diameter: 4.3 in. (110 mm). |
| <b>Weight:</b>       | 3.3 lb (1.5 kg); 4.6 lb (2.2 kg) with heater and sunshield.   |
| <b>Compliance:</b>   | IP66.   |

## Environmental

|                                     |   |
|-------------------------------------|---|
| <b>Operating Temperature Range:</b> | 14 to 122° F (-10 to 50° C).<br>-22 to 122° F (-30 to 50° C) with heater. |
| <b>Operating Humidity Range:</b>    | Up to 90% relative, non-condensing.                                       |

Data Sheet Number: V249

Dated: 06/2012

Vicon Data Sheet Part Number: 8009-7249-00-00

Specifications subject to change without notice.




Vicon and its logo are registered trademarks and Cruiser is a trademark of Vicon Industries Inc. EXview is a trademark of Sony Corporation.  
Copyright © 2012 Vicon Industries Inc. All rights reserved.

## Descriptions and Models



| Housing                            | Mount                           | Model          |
|------------------------------------|---------------------------------|----------------|
| Outdoor                            | Surface (Wall or Ceiling Mount) | S660V (NTSC)   |
|                                    |                                 | S660V-P (PAL)  |
| Outdoor, with heater and sunshield | Requires mounting accessory     | S660VW (NTSC)  |
|                                    |                                 | S660VW-P (PAL) |

## Accessories

### Mounts for S660V

|   | Description                      | Model Number |
|---|----------------------------------|--------------|
|    | Indoor or outdoor wall-mount arm | V660-HDB243  |
|    | Pipe adapter                     | V660-HDA202  |
|    | In-ceiling mount                 | V660-HCS256  |
|    | Outdoor Wall/Ceiling Pendant Arm | V660-HVPWCB2 |
|   | Corner Mount                     | V660-HCM150  |
|  | Pole Adapter                     | V660-HCM151  |

### Mounts for S660VW

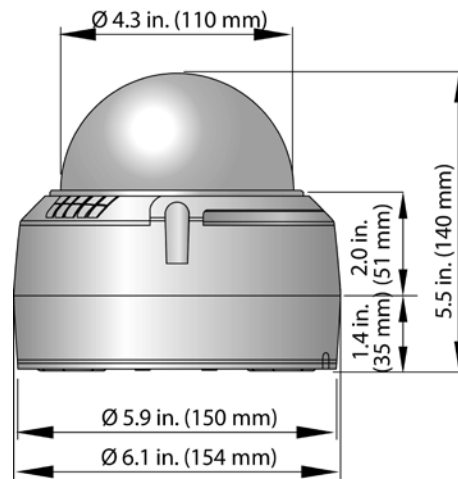
|   | Description   | Model Number |
|---|---|--------------|
|  | Outdoor pendant wall-mount arm with electrical connection box | V660-HDB024  |
|  | Outdoor pendant wall-mount arm                                | V660-HDB242  |

### Maximum Power Cable Distance (@24 VAC)

| Wire Size (AWG) | Distance ft (m) |                 |
|-----------------|-----------------|-----------------|
|                 | Without Heater  | With Heater/Fan |
| 20              | 385 (117)       | 101 (31)        |
| 18              | 614 (187)       | 162 (49)        |
| 16              | 978 (298)       | 257 (78)        |
| 14              | 1550 (472)      | 408 (124)       |
| 12              | 2469 (753)      | 650 (198)       |

## Dimensional Drawings

S660V



S660VW

