



Verkada Accessories

# Mounts for Cameras



## Table of Contents

3-5	Camera Mounts Overview
6	ACC-MNT-ARM-1   Arm Mount
7	ACC-MNT-3   L-Bracket Mount
8	ACC-MNT-MPEND-1   Mini Pendant Cap Mount
9	ACC-MNT-MJBOX-1   Mini Junction Box Mount
10	ACC-MNT-7   Angle Mount
11	ACC-MNT-8   Pendant Cap Mount
12	ACC-MNT-SJBOX-1   Square Junction Box
13	ACC-CAM-SHIELD-1   Camera Weather Shield
14	ACC-MNT-REC-1   Recess Ceiling Mount
15	ACC-MNT-CLIP-1   Tile Clip Mount
16	ACC-MNT-MREC-1   Mini Recess Mount
17	ACC-MNT-XLARM-1   Large Arm Mount
18	ACC-MNT-CORNER-1   Corner Mount
19	ACC-MNT-POLE-1   Pole Mount
20	ACC-MNT-PEND-1   Standard Pendant Cap
21	ACC-MNT-UPEND-1   Umbrella Pendant Cap
22	ACC-MNT-CJBOX-1   Circle Junction Box
23	ACC-MNT-ANGLE-1   Angle Mount
24	ACC-MNT-LBRAC-1   L-Bracket Mount



## Verkada mounts

Out of the box, each Verkada camera is able to be surface-mounted or attached to a variety of different junction box sizes. If there's a need or preference to use a specific mount, Verkada offers a full line of mounts.

### Camera mounts overview



#### ACC-MNT-ARM-1

Arm Mount

**Compatible with Mounts:**

ACC-MNT-8, ACC-MNT-CORNER-1, ACC-MNT-MPEND-1, ACC-MNT-SJBOX-1, ACC-MNT-POLE-1, ACC-MNT-PEND-1, ACC-MNT-UPEND-1



#### ACC-MNT-7

Angle Mount

**Compatible with Cameras:**

Dome Series, Fisheye Series (excluding CF83-E)

**Mounts:**

ACC-MNT-CORNER-1



#### ACC-MNT-3

L-Bracket Mount

**Compatible with Cameras:**

Dome Series

**Mounts:**

N/A



#### ACC-MNT-8

Pendant Cap Mount

**Compatible with Cameras:**

Dome Series, Fisheye Camera, Multisensor Camera

**Mounts:**

ACC-MNT-ARM-1, ACC-MNT-XLARM-1



#### ACC-MNT-MPEND-1

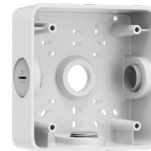
Mini Pendant Cap Mount

**Compatible with Cameras:**

Mini Series

**Mounts:**

ACC-MNT-ARM-1



#### ACC-MNT-SJBOX-1

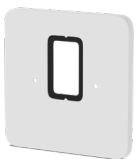
Square Junction Box

**Compatible with Cameras:**

Bullet Series, Mini Series (also requires the MJBOX-1)

**Mounts:**

ACC-MNT-CORNER-1, ACC-MNT-POLE-1, ACC-MNT-MJBOX-1, ACC-MNT-ARM-1, ACC-MNT-LBRAC-1



#### ACC-MNT-MJBOX-1

Mini Junction Box Mount

**Compatible with Cameras:**

Mini Series

**Mounts:**

ACC-MNT-SJBOX-1



#### ACC-CAM-SHIELD-1

Camera Weather Shield

**Compatible with Cameras:**

Dome Series, Fisheye Series

**Mounts:**

ACC-MNT-7, ACC-MNT-POLE-1, ACC-MNT-CORNER-1



## Camera mounts overview



**ACC-MNT-REC-1**  
Recess Ceiling Mount

**Compatible with Cameras:**  
Indoor Dome Series

**Mounts:**  
N/A



**ACC-MNT-XLARM-1**  
Large Arm Mount

**Compatible with Cameras:**  
Dome Series, Multisensor Camera,  
PTZ Series

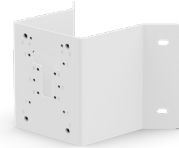
**Mounts:**  
ACC-MNT-8, ACC-MNT-CORNER-1,  
ACC-MNT-POLE-1, ACC-MNT-PEND



**ACC-MNT-MREC-1**  
Mini Recess Mount

**Compatible with Cameras:**  
Indoor Mini Series

**Mounts:**  
N/A



**ACC-MNT-CORNER-1**  
Corner Mount

**Compatible with Cameras:**  
Dome Series, Fisheye Series,  
Bullet Series, Mini Series

**Mounts:**  
ACC-MNT-ARM-1, ACC-MNT-7,  
ACC-CAM-SHIELD-1, ACC-MNT-  
XLARM-1, ACC-MNT-SJBOX-1,  
ACC-MNT-ANGLE-1, ACC-MNT-  
CJBOX-1, ACC-MNT-LBRAC-1



**ACC-MNT-CLIP-1**  
Tile Clip Mount

**Compatible with Cameras:**  
Indoor Dome Series, Mini Series, Fisheye  
Series

**Mounts:**  
N/A



**ACC-MNT-POLE-1**  
Pole Mount

**Compatible with Cameras:**  
Dome Series, Fisheye Series,  
Bullet Series, Mini Series

**Mounts:**  
ACC-MNT-ARM-1, ACC-MNT-7,  
ACC-CAM-SHIELD-1, ACC-MNT-  
XLARM-1, ACC-MNT-SJBOX-1,  
ACC-MNT-ANGLE-1, ACC-MNT-  
CJBOX-1, ACC-MNT-LBRAC-1





## Camera mounts overview

---



**ACC-MNT-PEND-1**  
Standard Pendant Cap

**Compatible with Cameras:**  
Dome Series, Fisheye Series,  
Multisensor Camera

**Mounts:**  
ACC-MNT-ARM-1,  
ACC-MNT-XLARM-1

---



**ACC-MNT-CJBOX-1**  
Circle Junction Box

**Compatible with Cameras:**  
Dome Series, Fisheye Series

**Mounts:**  
ACC-MNT-CORNER-1,  
ACC-MNT-POLE-1

---



**ACC-MNT-UPEND-1**  
Umbrella Pendant Cap

**Compatible with Cameras:**  
Outdoor Dome Series,  
Fisheye Series

**Mounts:**  
ACC-MNT-ARM-1,  
ACC-MNT-XLARM-1

---

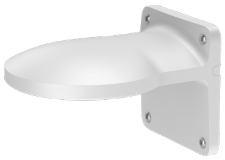


**ACC-MNT-ANGLE-1**  
Angle Mount

**Compatible with Cameras:**  
Dome Series, Fisheye Series

**Mounts:**  
ACC-MNT-CORNER-1,  
ACC-MNT-POLE-1

---



**ACC-MNT-LBRAC-1**  
L-Bracket Mount

**Compatible with Cameras:**  
Dome Series

**Mounts:**  
ACC-MNT-CORNER-1,  
ACC-MNT-POLE-1,  
ACC-MNT-SJBOX-1

---

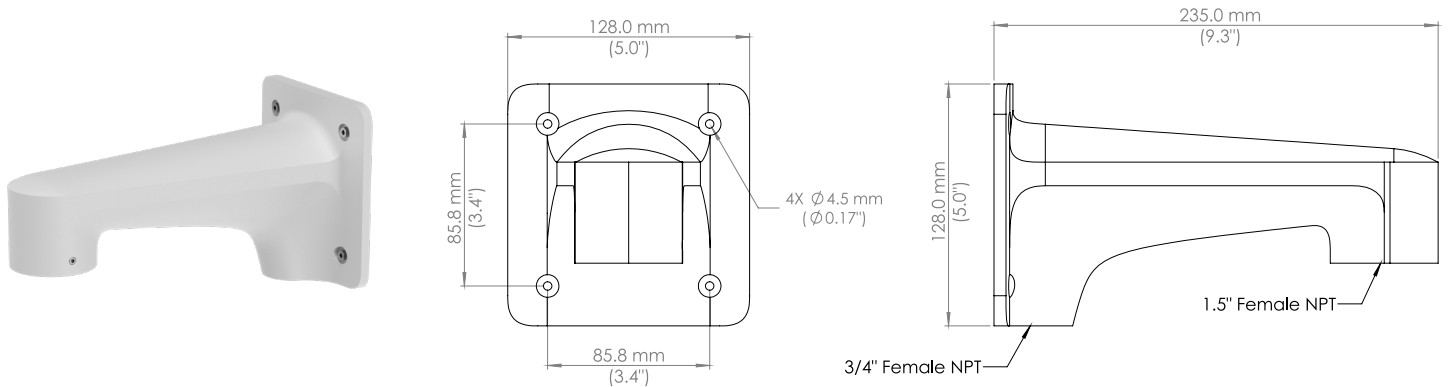


## ACC-MNT-ARM-1 Arm Mount Kit

Wall mount for Dome, Fisheye, Mini, and Multisensor Series cameras Includes 1.5" NPT to connect to pendant caps and 3/4" NPT at the base for conduit.

### Compatible with

Mounts: ACC-MNT-8, ACC-MNT-CORNER-1, ACC-MNT-MPEND-1, ACC-MNT-SJBOX-1, ACC-MNT-POLE-1, ACC-MNT-UPEND-1, ACC-MNT-PEND-1



## Tech Specs

<b>Model Number</b>	ACC-MNT-ARM-1	<b>Weight</b>	800g / 28.2oz
<b>Material</b>	Aluminum alloy	<b>Box Dimensions</b>	280x143x147mm / 11.0x5.6x5.8in
<b>Dimensions</b>	128x128x235mm / 5.0x5.0x9.3in	<b>Box Weight</b>	1150g / 40.6oz
<b>Color</b>	White	<b>Box Includes</b>	Arm mount, 4x machine screws, 4x wood screws, 4x wall anchors, 1x hex key



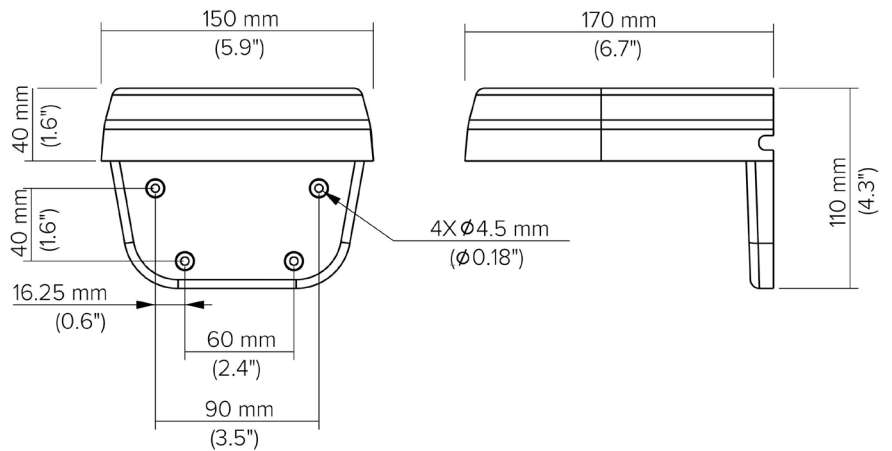
## ACC-MNT-3 Wall Mounted L-Shaped Bracket Kit

Compact bracket for mounting camera perpendicular to wall.

### Compatible with

Cameras: Dome Series

Mounts: N/A



## Tech Specs

<b>Model Number</b>	ACC-MNT-3	<b>Weight</b>	577g / 20.32oz
<b>Material</b>	Aluminum alloy	<b>Box Dimensions</b>	125x160x388mm / 4.9x6.3x15.3in
<b>Dimensions</b>	170x150x110mm / 6.7x5.9x4.3in	<b>Box Weight</b>	709g / 24.96oz
<b>Color</b>	White	<b>Box Includes</b>	L-bracket, 4x wall anchors, 4x wood screws, 4x machine screws



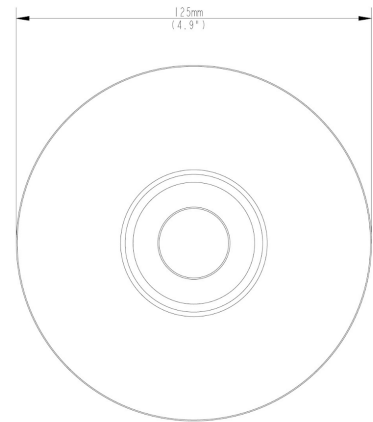
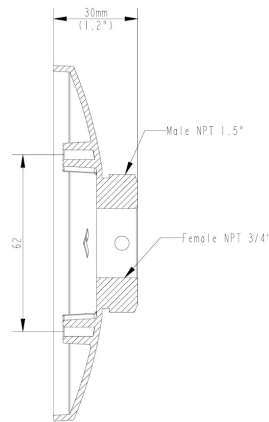
## ACC-MNT-MPEND-1 Mini Pendant Cap Mount

Threaded cap for mounting a Mini Series camera to 3/4" NPT threaded drop pipe and 1.5" NPT threads, including Verkada Arm Mounts.

### Compatible with

Cameras: Mini Series

Mounts: ACC-MNT-ARM-1



## Tech Specs

<b>Model Number</b>	ACC-MNT-MPEND-1	<b>Weight</b>	125.5g / 4.43oz
<b>Material</b>	Aluminum alloy	<b>Box Dimensions</b>	127x127x45mm / 5x5x1.8in
<b>Dimensions</b>	Ø125x30mm / Ø4.9x1.2in	<b>Box Weight</b>	180g / 6.3oz
<b>Color</b>	White	<b>Box Includes</b>	Pendant cap, mounting fasteners, hex key



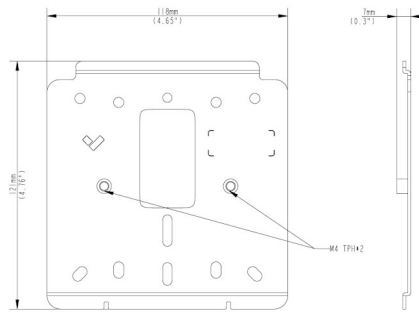
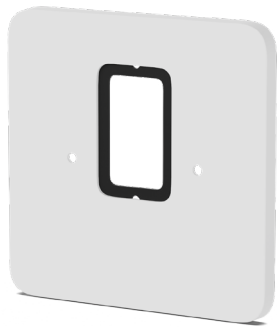
## ACC-MNT-MJBOX-1 Mini Junction Box Mount

For mounting a Mini Series camera to a standard junction box.

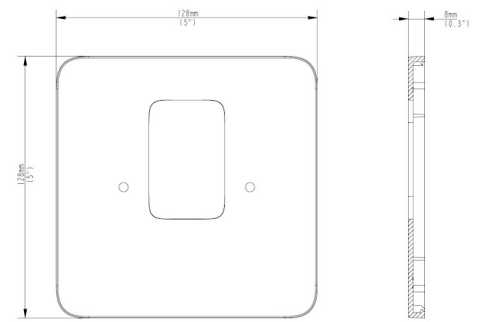
### Compatible with

Cameras: Mini Series

Mounts: ACC-MNT-SJBOX-1



Metal mount plate



Plastic cover

## Tech Specs

<b>Model Number</b>	ACC-MNT-MJBOX-1	<b>Weight</b>	220g / 7.8oz
<b>Material</b>	Steel mount plate, polycarbonate cover	<b>Box Dimensions</b>	148x136x29mm / 5.8x5.4x1.1in
<b>Dimensions</b>	127.95x127.95x8.5mm / 5x5x0.3in	<b>Box Weight</b>	260g / 9.2oz
<b>Color</b>	Black mount plate, white cover	<b>Box Includes</b>	Polycarbonate cover, steel mount plate, mounting fasteners





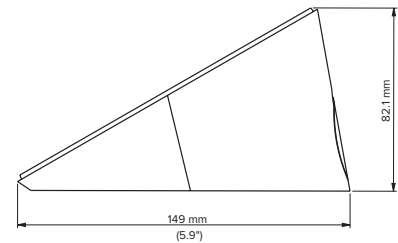
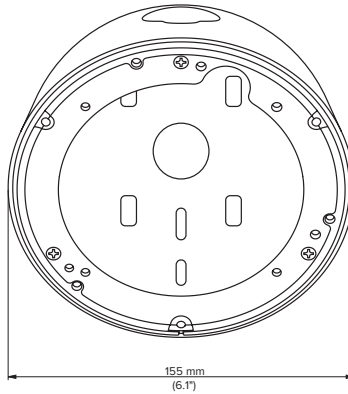
## ACC-MNT-7 Angle Mount Kit

Mounts Fisheye and Dome Series cameras 30 degrees from wall for improved field of view.

### Compatible with

Cameras: Dome Series, Fisheye Series (excluding CF83-E)

Mounts: ACC-MNT-CORNER-1, ACC-MNT-POLE-1



## Tech Specs

<b>Model Number</b>	ACC-MNT-7	<b>Weight</b>	390g / 13.75oz
<b>Material</b>	Aluminum alloy	<b>Box Dimensions</b>	160x160x100mm / 6.3x6.3x3.9in
<b>Dimensions</b>	155x149x82mm / 6.1x5.9x3.2in	<b>Box Weight</b>	460g / 16.23oz
<b>Color</b>	White	<b>Box Includes</b>	Metal accessory base, metal mount ring, 3 countersink screws, 3 thumbscrews, rubber plug



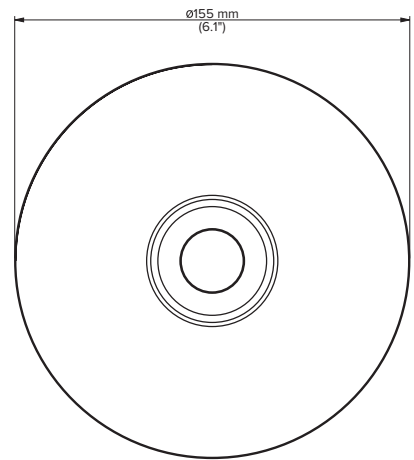
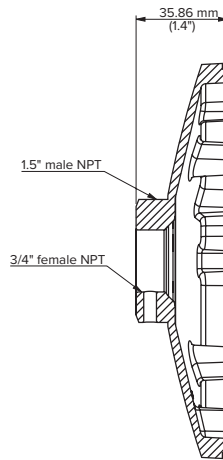
## ACC-MNT-8 Pendant Cap Mounting Adapter Kit

Threaded cap features built in 3/4" female NPT and 1.5" male NPT threads.

### Compatible with

Cameras: Dome Series, Fisheye Series, Multisensor Series

Mounts: ACC-MNT-ARM-1, ACC-MNT-XLARM-1



## Tech Specs

<b>Model Number</b>	ACC-MNT-8	<b>Weight</b>	300g / 10.58oz
<b>Material</b>	Aluminum alloy	<b>Box Dimensions</b>	510x490x220mm / 20.1x19.3x8.7in
<b>Dimensions</b>	Ø155x42mm / Ø6.1x1.7in	<b>Box Weight</b>	350g / 12.34oz
<b>Color</b>	White	<b>Box Includes</b>	Mount cap, set screw, 3 thumbscrews



## ACC-MNT-SJBOX-1 Square Junction Box

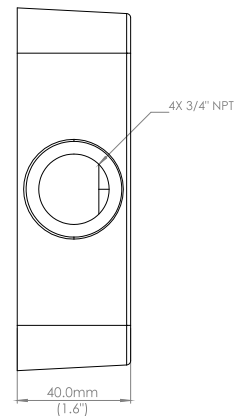
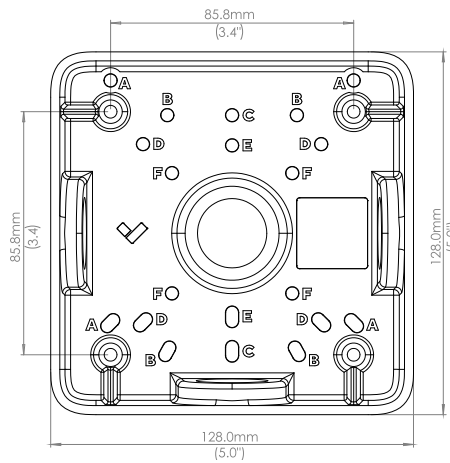
Junction Box for mounting Bullet and Mini Series cameras.

### Compatible with

Cameras: Bullet (except first-generation Bullets) and Mini Series Cameras.

Mounts: ACC-MNT-CORNER-1, ACC-MNT-POLE-1, ACC-MNT-MJBOX-1, ACC-MNT-ARM-1, ACC-MNT-LRAC-1

**Note:** To mount a Mini camera with the ACC-MNT-SJBOX-1, pair it with an ACC-MNT-MJBOX-1.



## Tech Specs

<b>Model Number</b>	ACC-MNT-SJBOX-1	<b>Weight</b>	337g / 11.0oz
<b>Material</b>	Aluminum alloy	<b>Box Dimensions</b>	150x140x50mm / 5.9x5.5x2.0in
<b>Dimensions</b>	128x128x40mm / 5x5x1.6in	<b>Box Weight</b>	450g / 15.9oz
<b>Color</b>	White	<b>Box Includes</b>	Junction box, 3x 3/4" NPT plugs, 4x machine screws



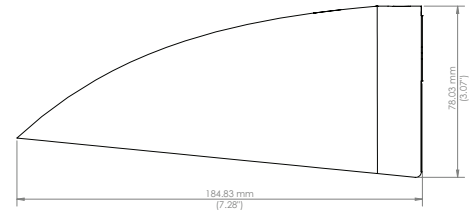
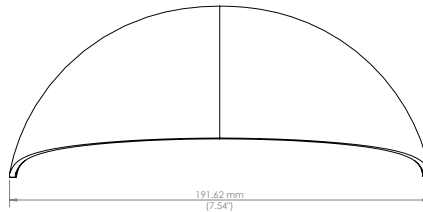
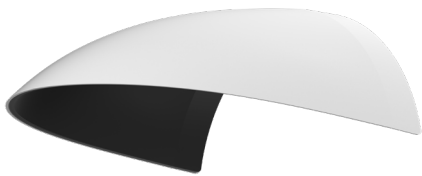
## ACC-CAM-SHIELD-1 Camera Weather Shield

Weather shield for protecting Dome and Fisheye Series.

### Compatible with

Cameras: Dome Series, Fisheye Camera

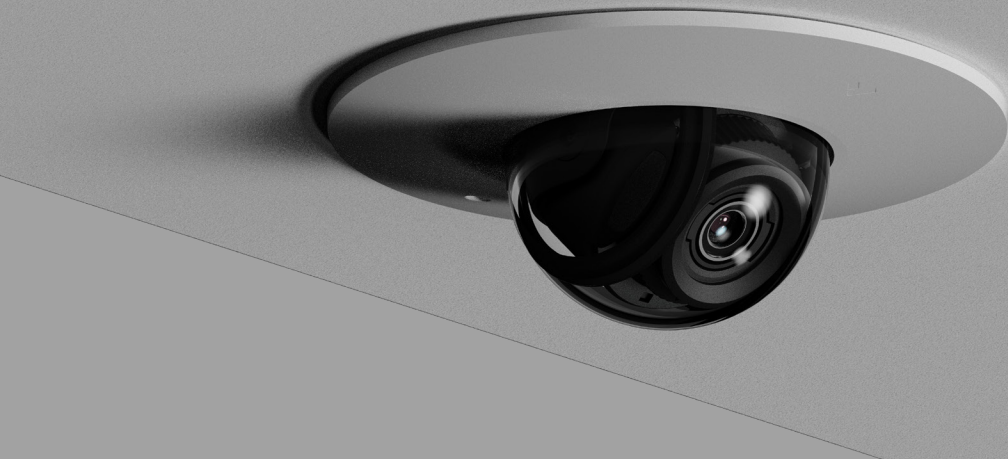
Mounts: ACC-MNT-7, ACC-MNT-ANGLE-1, ACC-MNT-CORNER-1, ACC-MNT-POLE-1



## Tech Specs

<b>Model Number</b>	ACC-CAM-SHIELD-1	<b>Weight</b>	173g / 6.1oz
<b>Material</b>	Steel mount plate, polycarbonate visor	<b>Box Dimensions</b>	217x185x75mm / 8.5x7.3x3.0in
<b>Dimensions</b>	192x185x78mm / 7.5x7.3x3.1in	<b>Box Weight</b>	262g / 9.24oz
<b>Color</b>	Black mount plate, white and black visor	<b>Box Includes</b>	Polycarbonate visor, steel mount plate, mounting fasteners





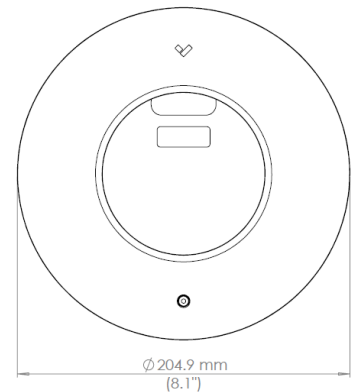
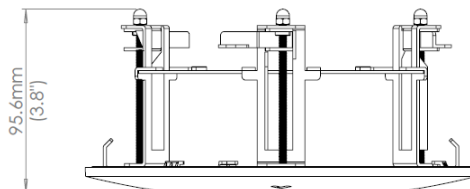
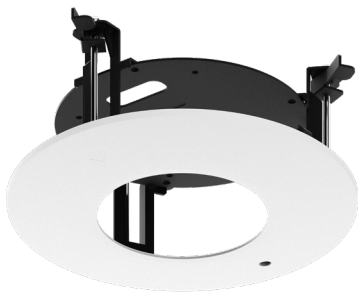
## ACC-MNT-REC-1 Recess Ceiling Mount

For mounting indoor dome cameras flush in ceilings up to 50mm thick.

### Compatible with

Cameras: Indoor Dome Series

Mounts: N/A



## Tech Specs

<b>Model Number</b>	ACC-MNT-REC-1	<b>Weight</b>	590g / 20.8oz
<b>Material</b>	Steel mount bracket, polycarbonate cover	<b>Box Dimensions</b>	210x210x100mm / 8.3x8.3x3.9in
<b>Dimensions</b>	205x205x95.6mm / 8.1x8.1x3.8in	<b>Box Weight</b>	1000g / 35.3oz
<b>Color</b>	Black mount plate, white cover	<b>Box Includes</b>	Ceiling mount cover, mounting bracket, 4x machine screws, hole cutout template





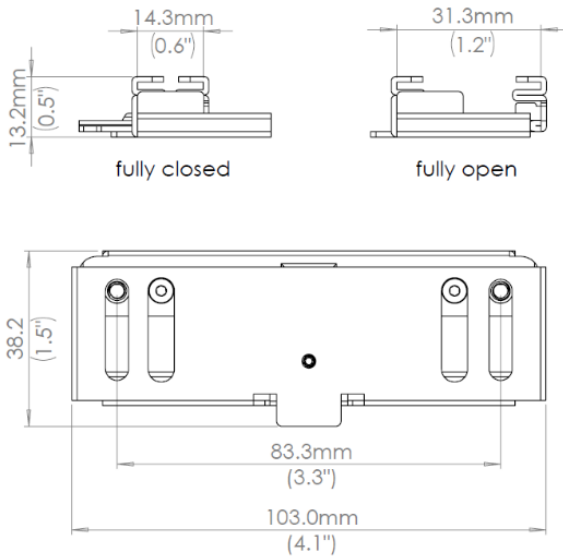
## ACC-MNT-CLIP-1 Tile Clip Mount

For mounting indoor Dome, Mini and Fisheye cameras to commercial ceiling tile rails from 9/16" to 15/16" wide without the necessity to drill. Customers may still wish to drill a hole to properly conceal the cable.

### Compatible with

Cameras: Indoor Dome Series, Mini Series, and Fisheye Series

Mounts: N/A



## Tech Specs

<b>Model Number</b>	ACC-MNT-CLIP-1	<b>Weight</b>	120g / 4.2oz
<b>Material</b>	Steel Mounting Bracket	<b>Box Dimensions</b>	150x140x50mm / 5.9x5.5x2.0in
<b>Dimensions</b>	103x41x13mm / 4.1x1.6x0.5in	<b>Box Weight</b>	230g / 8.1oz
<b>Color</b>	Black Mounting Bracket	<b>Box Includes</b>	Black Mounting Bracket, Allen Hex, 4x M3 Machine Screws, 2x M4 Machine Screws



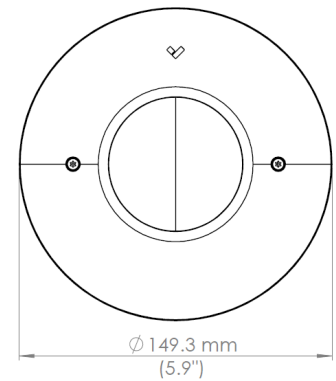
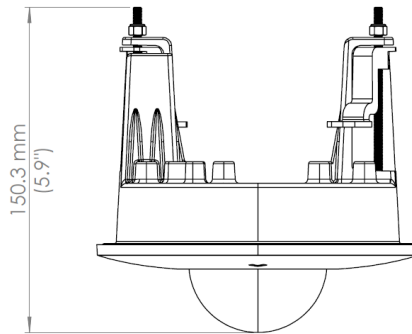
## ACC-MNT-MREC-1 Mini Recess Mount

For mounting Mini Dome cameras flush in ceilings up to 50mm thick.

### Compatible with

Cameras: CM42

Mounts: N/A



## Tech Specs

<b>Model Number</b>	ACC-MNT-MREC-1	<b>Weight</b>	413g / 14.6oz
<b>Material</b>	Aluminum mounting bracket, polycarbonate shroud	<b>Box Dimensions</b>	151x151x170mm / 5.9inx5.9inx6.7in
<b>Dimensions</b>	149x149x150mm / 5.9x5.9x5.9in	<b>Box Weight</b>	557g / 19.7oz
<b>Color</b>	Black mounting bracket, white shroud	<b>Box Includes</b>	Ceiling mount cover, mounting bracket, hole cutout template



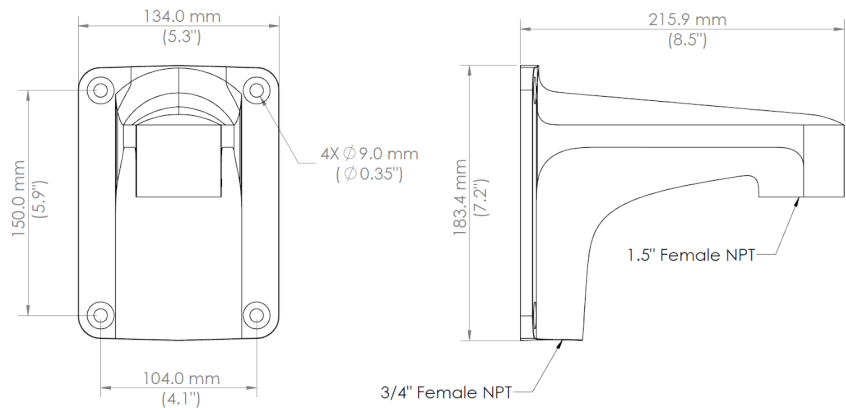
## ACC-MNT-XLARM-1 Large Arm Mount

Wall mount arm for larger cameras. Includes 1.5" NPT to connect to pendant caps and 3/4" NPT at the base for conduit.

### Compatible with

Cameras: Dome Series, Multisensor Camera, PTZ Series

Mounts: ACC-MNT-POLE-1, ACC-MNT-CORNER-1, ACC-MNT-8, ACC-MNT-PEND-1, ACC-MNT-UPEND-1



## Tech Specs

<b>Model Number</b>	ACC-MNT-XLARM-1	<b>Weight</b>	800g / 28.2oz
<b>Material</b>	Aluminum alloy	<b>Box Dimensions</b>	247x186x141mm / 10.1x7.3x5.6in
<b>Dimensions</b>	215.8x183.4x134mm / 8.5x7.2x5.4in	<b>Box Weight</b>	1150g / 40.6oz
<b>Color</b>	White	<b>Box Includes</b>	Arm mount, 4x sleeve anchors, 4x machine screws, 2x hex keys





## ACC-MNT-CORNER-1

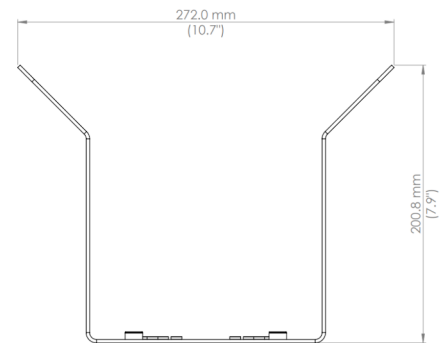
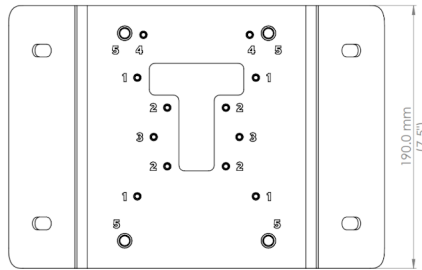
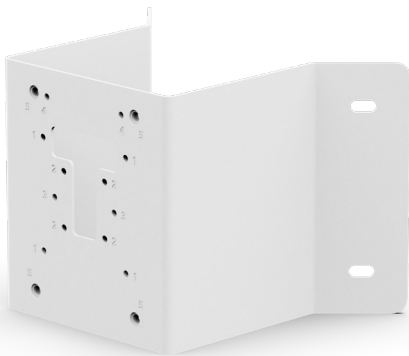
### Corner Mount

Mount for installing cameras and accessories to external corners.

#### Compatible with

Cameras: Dome Series, Bullet Series, Mini Series, PTZ Series, Multisensor Camera with additional mounts

Mounts: ACC-MNT-ARM-1, ACC-MNT-7, ACC-MNT-SJBOX-1, ACC-CAM-SHIELD-1, ACC-MNT-XLARM-1, ACC-MNT-ANGLE-1, ACC-MNT-CJBOX-1



## Tech Specs

<b>Model Number</b>	ACC-MNT-CORNER-1	<b>Weight</b>	2150g / 75.8oz
<b>Material</b>	Steel	<b>Box Dimensions</b>	347x272x240mm / 13.7x10.7x9.4in
<b>Dimensions</b>	272x201x190mm / 10.7x7.9x7.5in	<b>Box Weight</b>	3000g / 105.8oz
<b>Color</b>	White	<b>Box Includes</b>	Corner mount, 4x machine screws, 4x sleeve anchors



## ACC-MNT-POLE-1

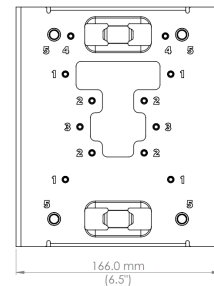
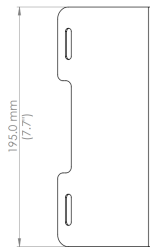
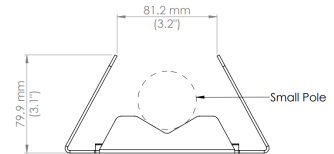
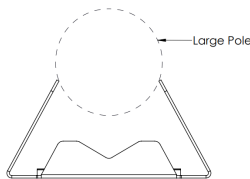
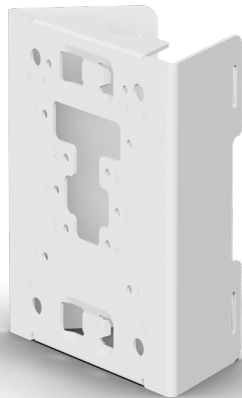
### Pole Mount

For mounting cameras to circular poles 2" to 6" in diameter.

#### Compatible with

Cameras: Dome Series, Fisheye Camera, Bullet Series, Mini Series, PTZ Series, Multisensor Camera with additional mounts

Mounts: ACC-MNT-ARM-1, ACC-MNT-7, ACC-MNT-SJBOX-1, ACC-CAM-SHIELD-1, ACC-MNT-XLARM-1, ACC-MNT-ANGLE-1, ACC-MNT-CJBOX-1



## Tech Specs

<b>Model Number</b>	ACC-MNT-POLE-1	<b>Weight</b>	1004g / 35.4oz
<b>Material</b>	Steel	<b>Box Dimensions</b>	216x184x91mm / 8.5x7.2x3.6in
<b>Dimensions</b>	166x80x195mm / 6.5x3.1x7.7in	<b>Box Weight</b>	1600g / 56.4oz
<b>Color</b>	White	<b>Box Includes</b>	Pole mount, 4x pole straps (2x small, 2x large), 4x machine screws, zip tie





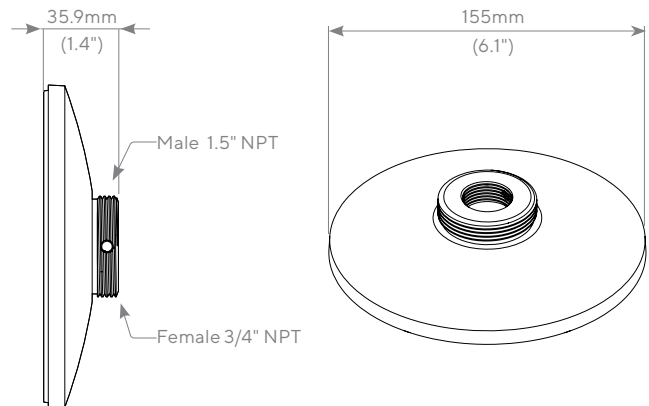
## ACC-MNT-PEND-1 Standard Pendant Cap

Threaded cap features built in 3/4" female NPT and 1.5" male NPT threads.

### Compatible with

Cameras: Dome Series, Fisheye Series, Multisensor Series

Mounts: ACC-MNT-ARM-1, ACC-MNT-XLARM-1



## Tech Specs

<b>Model Number</b>	ACC-MNT-PEND-1	<b>Weight</b>	284g / 10.0oz
<b>Material</b>	Aluminum alloy	<b>Box Dimensions</b>	159x159x69mm / 6.3x6.3x2.7in
<b>Dimensions</b>	155x155x36mm / 6.1x6.1x1.4in	<b>Box Weight</b>	355g / 12.5oz
<b>Color</b>	White	<b>Box Includes</b>	Mount cap, set screw, 2x thumbscrews



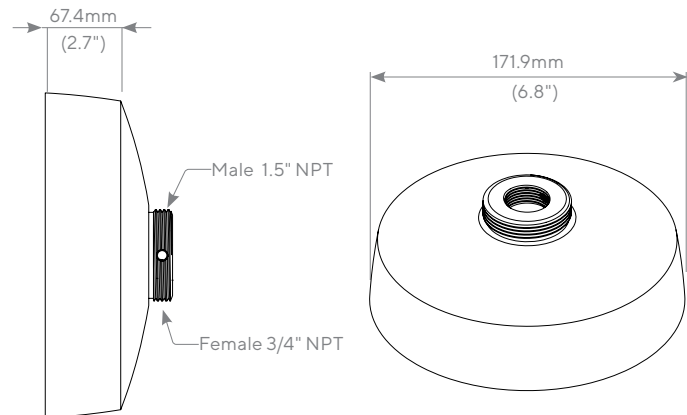
## ACC-MNT-UPEND-1 Umbrella Pendant Cap

Threaded cap features built in 3/4" female NPT and 1.5" male NPT thread with extra protection from weathering.

### Compatible with

Cameras: CD62-E, CD52-E, CD42-E, CF83-E, CF81-E

Mounts: ACC-MNT-ARM-1, ACC-MNT-XLARM-1



## Tech Specs

<b>Model Number</b>	ACC-MNT-UPEND-1	<b>Weight</b>	470g / 16.6oz
<b>Material</b>	Aluminum alloy	<b>Box Dimensions</b>	174x174x80mm / 6.9x6.9x3.1in
<b>Dimensions</b>	172x172x67mm / 6.8x6.8x2.7in	<b>Box Weight</b>	560g / 19.8oz
<b>Color</b>	White	<b>Box Includes</b>	Mount cap, set screw, 2x thumbscrews



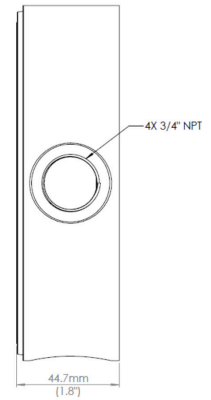
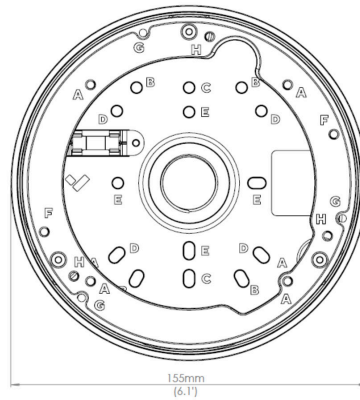
## ACC-MNT-CJBOX-1 Circle Junction Box

Junction box for mounting Dome and Fisheye cameras.

### Compatible with

Cameras: Dome Series, Fisheye Series

Mounts: ACC-MNT-CORNER-1, ACC-MNT-POLE-1



## Tech Specs

<b>Model Number</b>	ACC-MNT-CJBOX-1	<b>Weight</b>	532g / 18.8oz
<b>Material</b>	Aluminum alloy	<b>Box Dimensions</b>	160x160x75mm / 6.3x6.3x3.0in
<b>Dimensions</b>	155x155x45mm / 6.1x6.1x1.8in	<b>Box Weight</b>	623g / 22.0oz
<b>Color</b>	White	<b>Box Includes</b>	Junction box, 3x 3/4" NPT plugs, 2x thumbscrews, 4x wood screws, 4x wall anchors



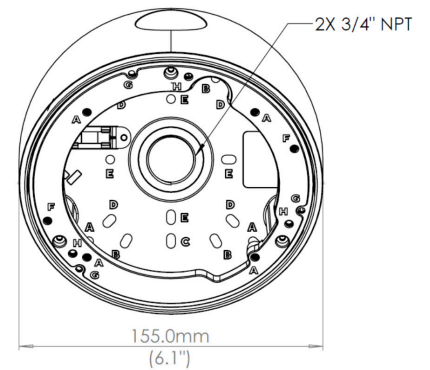
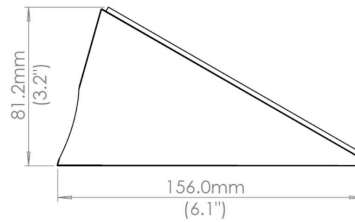
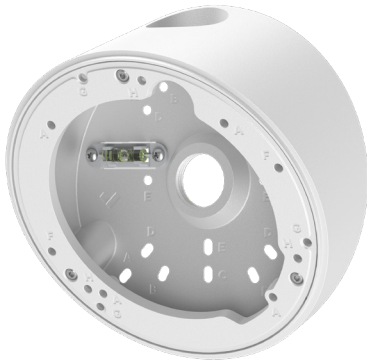
## ACC-MNT-ANGLE-1 Angle Mount

Mounts Fisheye and Dome cameras 30 degrees from wall for improved field of view.

### Compatible with

Cameras: Dome Series, Fisheye Series

Mounts: ACC-MNT-CORNER-1, ACC-MNT-POLE-1



## Tech Specs

<b>Model Number</b>	ACC-MNT-ANGLE-1	<b>Weight</b>	553g / 19.5oz
<b>Material</b>	Aluminum alloy	<b>Box Dimensions</b>	158x158x93mm / 6.3x6.3x3.7in
<b>Dimensions</b>	156x156x81mm / 6.1x6.1x3.2in	<b>Box Weight</b>	605g / 21.3oz
<b>Color</b>	White	<b>Box Includes</b>	Junction box, 1x 3/4" NPT plugs, 2x thumbscrews, 4x wood screws, 4x wall anchors





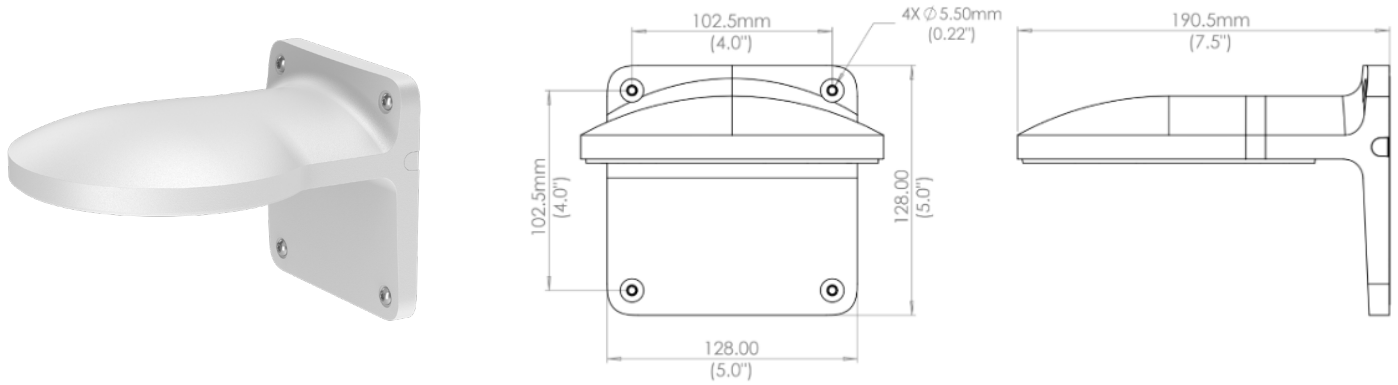
## ACC-MNT-LBRAC-1 L-Bracket Mount

Compact bracket for mounting a camera perpendicular to a wall.

### Compatible with

Cameras: Dome Series

Mounts: ACC-MNT-CORNER-1, ACC-MNT-POLE-1, ACC-MNT-SJBOX-1



## Tech Specs

<b>Model Number</b>	ACC-MNT-LBRAC-1	<b>Weight</b>	800g / 28.2oz
<b>Material</b>	Aluminum alloy	<b>Box Dimensions</b>	225x188x168mm / 8.9x7.4x6.6in
<b>Dimensions</b>	128x128x190.5mm / 5.0x5.0x7.5in	<b>Box Weight</b>	1100g / 38.8oz
<b>Color</b>	White	<b>Box Includes</b>	L-shaped mount, adaptor plate, 2x thumbscrews, 2x mousehole covers, 4x wood screws, 4x wall anchors, allen hex