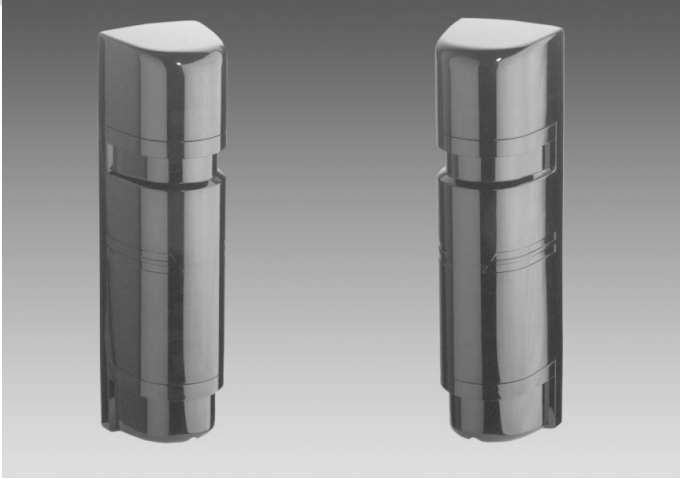


IS443-IS444-IS445

Photoelectric infrared beams, with quad beams for internal & external applications

VANDERBILT



Key Features include:

- External perimeter protection from 50 m to 200 m
- Synchronised and sophisticated quad beams serve to reinforce the range and stability in harsh environments and severe weather conditions
- Automatic gain control
- 4 separate choices of frequencies
- Selectable beam transmission strength

Approved detection performance. The 4 infrared beams work in an AND-function, which guarantees immunity from falling leaves and small animals. Strong active infrared transmission with a ten times greater infrared power than for the specified maximum distance. Special housing design ensures reliable operation when there is frost or dew.

Automatic gain control. The sensitivity is automatically increased in severe weather conditions to contend with fog, heavy rain, frost or snow.

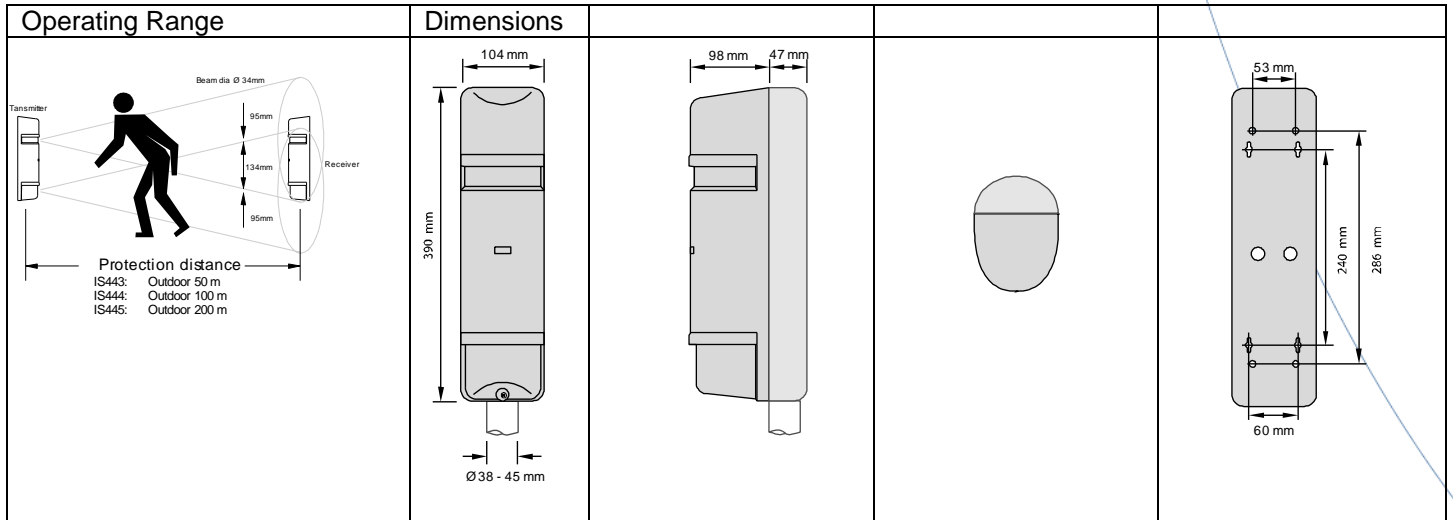
Highest false alarm immunity. Special light compensation circuit for excellent immunity against sun, car, fluorescent or mercury lights.

Environmental module. Notification via a relay output when the received beam signal level reaches an unacceptable level.

IS433-IS434-IS435

Photoelectric infrared beams, with quad beams for internal & external applications

VANDERBILT



■ Technical Data

Type	IS443	IS444	IS445
Detection system	Simultaneous breaking of 4 beams		
Infrared beam	Double modulation pulsed beam by LED		
Protection distance	Outdoor < 50 m	Outdoor < 100 m	Outdoor < 200 m
Response time	50 ms ... 700 ms variable (Standard: 50 ms)		
Power supply	12 VDC ... 30 VDC (non-polarity)		
Current consumption	95 mA	105 mA	120 mA
Alarm output			
- Relay (change over contact)	30 VAC/DC 1 A		
- Alarm hold time	approx. 1.5 s		
Indications			
- Alarm (Receiver)	Red LED		
- Sensitivity attenuation (Receiver)	Red LED		
Tamper output			
- Cover contact (opens on tamper)	30 VAC/DC 0.1 A		
Functions	Modulated beam frequency selection, tone indicator, environmental module, alarm memory indication, programmed AGC, auto-gain lock function, monitor jack		
Beam adjustment	Horizontal: $\pm 90^\circ$ C, Vertical $\pm 10^\circ$ C		
Environmental conditions	- 35° C ... + 66° C		
Mounting location	Outdoor		
Mounting position	Wall, tower or 45mm diameter pole (clamps supplied)		
Housing protection (EN 60529, EN 50102)	IP55		

VANDERBILT

IS443-IS444-IS445

Photoelectric infrared beams, with quad beams for internal & external applications

VANDERBILT

Options

Heaters

These are required for cold environments, where the build-up of frost and/or snow is likely. The heaters can be mounted within the detectors or the beam towers.

Pole Covers

The covers provide additional ingress protection to the beams when they are pole mounted.

■ Accessories Information			
Type	Part No.	Description	Weight
HTF-24	NBPZ:5386110001	Heater (2 pieces./set) 24 VDC ; 300 mA for each heating element	0.082 kg
BP-200F	NBPZ:5386240001	Pole cover (2 pieces./set)	0.300kg

■ Ordering Information

Type	Part No.	Description	Weight
IS443	VBPZ:5299920001	Photoelectric beam sensor (20m)	2.5 Kg
IS444	VBPZ:5299890001	Photoelectric beam sensor (40m)	2.5 Kg
IS445	VBPZ:5299500001	Photoelectric beam sensor (60m)	2.5 Kg