

CVMW3025-IR

3MP Full HD Wide Dynamic IP Vandal-Dome Camera H.264, MJPEG

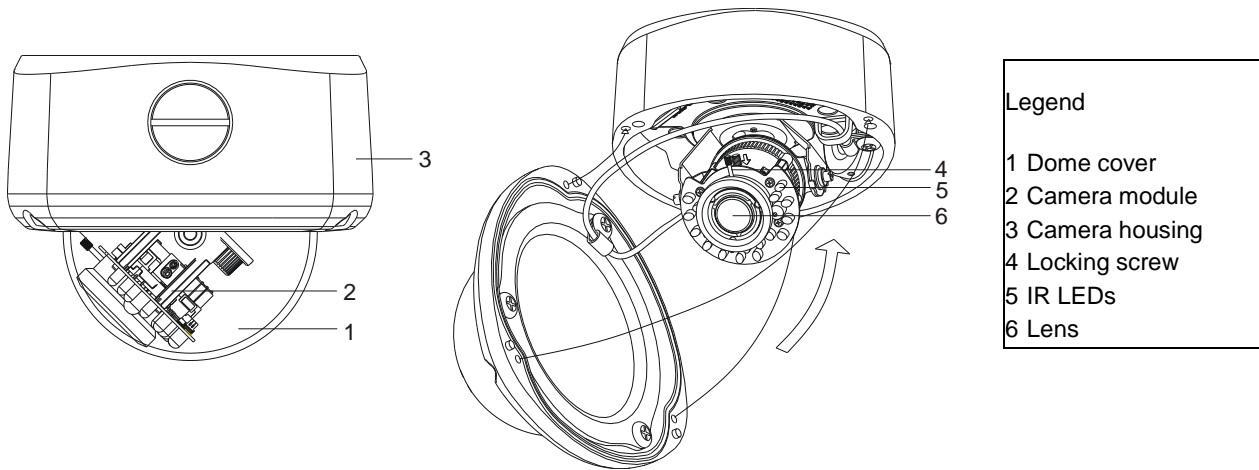
VANDERBILT



This 3 MP full HD vandal-proof IP dome camera with motorised varifocal lens allows the use in almost every networking application. The integrated IR-illumination ensures the best possible image quality for every application. Due to the H.264 and MJPEG encoding functionality and the state-of-the-art ONVIF compatibility, the dome can be easily integrated into 3rd-party systems. A wide range of accessories is available, and a protection rating of IP66 and IK10 ensures that the dome will withstand even the roughest conditions.

Key features include:

- Simultaneous H.264 and MJPEG encoding
- Up to 3 MP resolution supporting full HD 1080p
- Vandal-proof outdoor housing design IP66 and IK10
- Integrated IR-illuminators
- Hybrid video: CVBS: up to 480 TVL (PAL / NTSC switchable)
- Bidirectional monaural audio
- ONVIF protocol support (Streaming Profile S compliant)
- D/N with mechanical IR-cut filter
- Digital WDR functionality 57 dB
- Excellent low-light sensitivity
- Integrated motorised varifocal lens F1.2, 3 – 9 mm
- Setup of zoom and focus via web browser and one-push autofocus
- Basic motion detection and tamper alarm
- Support SDXC up to 128 GB for local alarm recording (4 GB incl.)
- 4 user-definable privacy zones
- 24 V AC and PoE power supply



- Legend**
- 1 Dome cover
 - 2 Camera module
 - 3 Camera housing
 - 4 Locking screw
 - 5 IR LEDs
 - 6 Lens

Technical data

Model	CFMW3025
Image sensor	1/3" AR0330 CMOS
Effective pixels	2048 (H) x 1536 (V)
Image compression method	H.264 / MJPEG (Triple streaming)
Image frame rate	2048 x 1536 @ 12 fps (PAL) and 15 fps (NTSC) 1920 x 1080 @ 25 fps (PAL) and 30 fps (NTSC)
Video output	Max. 100 m CVBS @ 25 fps for PAL CVBS @ 30 fps for NTSC
Electrical	
Sync system	Internal
S/N ratio	> 50 db
Lens type	Motorised varifocal Megapixel IR coated, F1.2, 3 – 9 mm (setup via web browser)
Horizontal viewing angle	Wide: 94° (H), 50° (V) Tele: 33° (H), 19° (V)
Low light technology	Light booster
IR cut filter	Yes
IR LEDs	24
IR distances	15 m

Gamma correction	0.45
Sensitivity Colour / B&W	Colour: 0.3 lux (F1.2) 50 IRE B/W: 0.1 lux (F1.2) 50 IRE, 1/30, Max. Gain
White balance	ON / OFF / Indoor / Outdoor
Electronic shutter	1/25 – 1/8192 s for PAL 1/30 – 1/8192 s for NTSC
BLC	6 zones
AGC	Auto
Audio codec	G.711(A-Law / u-Law)
Audio feature	Two-way mono audio; full-duplex, switchable on/off
Integrated microphone	No
Alarm	Yes; 3x Alarm In & 1x Alarm Out
Intelligent Engine	Tamper alarm Acoustic detection/alarm
Motion detection	Yes; 12 x 8 MD windows & 100-level sensitivity & 100-level object size
Privacy zones	4
WDR	Digital WDR: 57 dB
Image enhancement	3 DNR
Power supply	
Power requirement	AC 24 V / PoE
Power consumption	8 W
Power connector	Terminal block
Environment	
Operating temperature	-10 to +50°C
Relative humidity	0 – 80% RH
Storage temperature	-20 to +60°C

Network	
Web browser	IE 6.0 above/ Firefox, Safari with VLC plug-in Internet Explorer IE8 / IE9 / IE10, Firefox, Google chrome with VLC plug-in
Security	Firewall / forbidden protocol / 802.1x
Ethernet	1 x 10/100 base-T Ethernet connection for LAN
Network protocols	TCP/IP, UDP, HTTP, SMTP, SNMP, DNS, DHCP, NTP, ARP, ICMP, FTP, DDNS, RTSP, RTP, RTCP, IGMP, UPnP, IPv4, IPv6, CIFS, NFS, IEC802.1x, Bonjour
I/O connector	
Power In	2-pin screw type terminal block
Network port	RJ45 with LEDs
Audio IN/OUT	Spring type terminal block
Alarm I/O	Spring type terminal block
Video port	2-pin video connector
Mechanical	
IP rating	IP 66
Dimensions (Ø x H)	140 x 115 mm
Weight	1.2 kg

Details for ordering

Type	Part no.	Designation	Weight*
CVMW3025-IR	V54561-C107-A300	1/3" IP Vandal Dome, 3 MP, D/N, WD, IR Illuminator	1.2 kg

