



CCIx1345-LP 1/3" Super-high Resolution MJPEG / MPEG-4 IP Streaming Cameras

CCIC1345-LP
CCIS1345-LP
CCIW1345-LP

- Color, Day/night and Wide Dynamic Hybrid IP Cameras
- Day/night & Wide Dynamic camera with built-in mechanical IR-Cut filter
- CCIW1345 with extended Video Dynamic Range 60 dB
- MJPEG or MPEG4 encoding
- 4CIF (D1), 2CIF, CIF and QCIF-resolution at max. 25 ips
- Standardized Protocols: TCP/IP, UDP/IP, DHCP, DNS, HTTP(S), RTP (RTCP, RTSP), SMTP, NTP, IGMP v2, UPnP
- Integrated Web server
- Activity (Motion) detection and Event email notification
- Audio In, integrated microphone
- CVBS Video Control Output (BNC)
- Power over Ethernet PoE

The new Siemens CCIx1345 range is a true CCTV IP Security Camera range that combines the requirements of classic analogue CCTV cameras with the high performance, flexibility and IT-security of a modern Video-over-IP device. Thanks to hybrid technology, this camera range allows the upgrade of existing video installations to state-of-the-art IP systems.

Features like Activity (Motion) detection, PTZ control, privacy zones, the integrated firewall, the 128 MB alarm image memory and email notification turn this IP camera into a true video security device.

MJPEG / MPEG4 Compression

Cameras support both common video compression standards MJPEG or MPEG-4. Usage of standardized protocols enables streaming / recording with existing Siemens SISTORE DVRs SISTORE MX / MX NVR / MX NVS and viewing with SISTORE CX (starting V3.5).

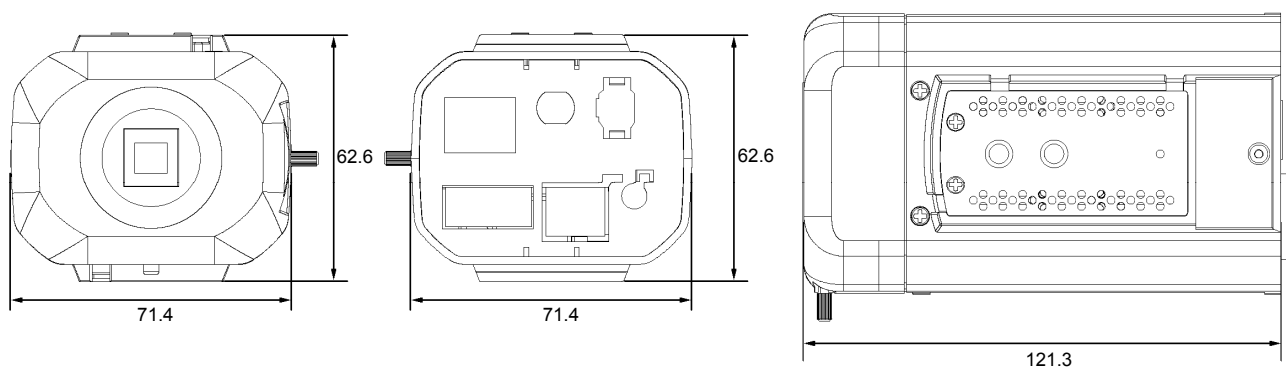
Day/night

CCIS1345 and CCIW1345 are equipped with a mechanical IR filter. The switch-over from Color to B/W can be performed automatically depending on ambient light conditions or by an external signal using the switch input of the camera.

Power over Ethernet

The cameras support the PoE function. In conjunction with the appropriate network components (e.g. hub, switch, etc.) the operating voltage for the camera can be supplied directly over the network cable. Additional power supply units are not required.

Dimensions



Technical data

Type	CCIC1345	CCIS1345	CCIW1345
CCD type	1/3" CCD	1/3" CCD with mechanical movable IR-Cut filter	1/3" SONY Double Density CCD with mechanical movable IR-Cut filter
DSP	SONY HQ1		SONY SS-2
Scanning system	2:1 PAL interlace, vert. 50 Hz, hor. 15,625 Hz		
Active pixels	752 x 582 active pixels		
Synchronization	Internal: crystal, external: line lock synchronization (AC only)		
Video output	1.0 Vpp (75Ω), BNC		
Lens jack	CS-mount		
Horizontal resolution	Color: 540 lines	Color: 540 lines B/W: 570 lines	Color (WD): 500 lines B/W (WD): 540 lines
Gamma correction	0.6 / 1.0		0.45 / 0.6 / 1.0
Minimum illumination	0.4 lux at F=1.2 (AGC on, 50 IRE video)	Color: 0.4 lux at F=1.2 (AGC on, 50 IRE video) B/W: 0.1 lux at F=1.2 (AGC on, 50 IRE video) 0.01 lux at F=1.2 (AGC on, 50 IRE video, IR-Illumination)	
Signal/noise ratio	50 dB (weighted, AGC switched off, aperture low)		
Exposure system	Automatic: 1/50 ~ 1/100000 sec. max.		
Gain control	Selectable: OFF, LOW, HIGH		Selectable: OFF, ON
Digital slow shutter	-		OFF, 2, 4, 6, 8, 10, 20, 40
Back light compensation	Selectable: OFF, ON (AE mode)		
Day/night mechanism	-	Dual moving: OLPF/glass	
Day/night switching	-	Auto, manual (ext. contact), color, black/white	
Day/night level	-	5 steps selectable	

© Siemens Building Technologies

Type	CCIC1345	CCIS1345	CCIW1345
Day/night delay time	–	5, 30 seconds selectable	
Aperture correction	SOFT / SHARP		-5 to +5
White balance	AUTO (2500~10000 °K), HOLD		AUTO (2500~10000 °K), HOLD, INDOOR, OUTDOOR
Lens control	DC or video signal controlled, 2 jacks: side, rear		DC controlled, 2 jacks: side, rear
External input	Alarm Input, Day/night Switch Input		
External output	Alarm Output		
External microphone	2.5 mm monaural pin jack		
Camera text	Max. 24 characters		
Default settings	Reset to factory settings		
Alarm input	1 channel		
IR sensitivity	–	In night mode: 850-1000 nm	
System requirements	All systems that feature IP network functions and provide an HTTP browser (Microsoft Internet Explorer as of version 6.0).		
Protocols	TCP/IP, UDP/IP, DHCP, DNS, HTTP(S), RTP (RTCP, RTSP), SMTP, NTP, IGMP v2, UPnP		
Installation	IP address configurable via DHCP, connection to twisted-pair RJ-45 Ethernet		
Network connection	10 BaseT Ethernet or 100 BaseTX Fast Ethernet, auto-sensing, full/half duplex		
Image formats	<ul style="list-style-type: none"> • QCIF (176x144): max 25 ips • CIF (352x288): max 25 ips • 2CIF (704x288): max 25 ips • 4CIF (704x576): max 25 ips 		
Image transmission	MJPEG or MPEG4, user configurable image frame quality, streaming up to 25 images per sec.		
Audio transmission	PCM or G.711		
Users	Maximum 20 concurrent users		
Security	Separate passwords for image access and system configuration		
Hardware	<ul style="list-style-type: none"> • CPU: Cypher 7108 Media encoder • ROM: 8 MBytes Flash, 128 MBytes NAND Flash for storage • RAM: 128 MBytes DDR SDRAM 		
Tripod mounting	A(1/4); 1/4" bottom and top (depth: 7mm)		
Operating status indication	LED		
Operating temperature	-10 to +50 °C		
Storage temperature	-20 to +60 °C		
Humidity	30 to +95 %, no condensation		
Dimensions (L x W x H)	121.3 x 76 x 62.6 mm		
Weight	500 g		
Power supply	24 V AC ±10%, 50 Hz, Power Over Ethernet (PoE), 500 mA max.		
Power consumption	Normal Operation 6.0 W	Normal Operation 6.5 W	Normal Operation 7.0 W

Details for ordering

Type	Item No.	Description	Weight
CCIC1345-LP	2GF1183-8KA	1/3" Indoor Super-high resolution MJPEG / MPEG-4 Color IP camera, PAL, 540 lines; 24 V AC, 50 Hz or PoE	500 g
CCIS1345-LP	2GF1118-8HA	1/3" Indoor Super-high resolution MJPEG / MPEG-4 Day/night IP camera, PAL, 540 lines; 24 V AC, 50 Hz or PoE	500 g
CCIW1345-LP	2GF1118-8HB	1/3" Indoor Super-high resolution MJPEG / MPEG-4 Wide D Day/night IP camera, PAL, 500 lines; 24 V AC, 50 Hz or PoE	500 g
Extra accessories, not included in the standard delivery			
CAPA2415-C230	2GF1800-8BK	Indoor Power Supply 230 / 24 V AC, 2.5 A	1900 g
CAPA2410-P230	2GF1800-8BJ	Plug type Power Supply 230 / 24 V AC, 500 mA	300 g

Issued by
Siemens Building Technologies
Fire & Security Products GmbH & Co. oHG
D-76181 Karlsruhe

www.sbt.siemens.com

© 2007 Copyright by
Siemens Building Technologies
Data and design subject to change without notice.
Supply subject to availability.

Printed in the Federal Republic of Germany
on environment-friendly chlorine-free paper.

Document no. **A6V10075087**
Edition 09.2007