



Vaion vcam Pano



360° fisheye panoramic IR camera



Integrated AI audio and video analytics



Versatile, robust and sleek, fit for both the hardest outdoor and discreet indoor setups



Factory-installed certificates backed by a trusted platform module (TPM)



Dynamic resolution up to 9MP



Designed and developed in Norway and the UK; assembled in Taiwan

Image sensor

12MP

Image sensor size format

1/2.3"

Effective resolution

9MP

LensAperture: *f*/2.0

Fixed focus

Focus distance: 0.5m - ∞

Night vision

Automatic night mode

IR-cut filter

850 nm IR LED

Field of view

>180°

Maximum resolution & Frame rate

3000x3000@30fps

Dynamic range

Multi-exposure line-based HDR

Video compression

H.265, H.264, Motion JPEG

Audio

Microphone array (4x microphones)

AI audio event classification

Audio source localization

Security

Factory-installed certificates, no default passwords, mandatory access authentication, HTTPS/TLS encryption

Network protocols

IPv4, HTTPS, TLS, DNS, mDNS, DNS-SD,

NTP, RTSP, RTP, RTCP, ICMP, DHCP, ARP

Streaming protocols: RTP/UDP, RTP/

RTSP/HTTPS/TCP

Power source

PoE+ (802.3at Type 2)

For installation only: USB-C (1.5A mode)

Power consumption

Typical: 5 W

Max without heater: 12.95 W

Max with heater: 23 W

Storage

MicroSD, SDXC UHS-I

Connection

802.3ab 10/100/1000 Gigabit Ethernet

USB-C for preview and setup

Installation aid

Automatic wall and ceiling detection.

Flexible bracket, mounts to standard back boxes. Refer to technical drawing.

Impact resistance

IK10 (IEC/EN 62262)

Water protection

IP66 (IEC/EN 60529)

Temperature

Operating: -25C to +50C

Storage: -40C to +60C

Heater: 9.6W

Physical characteristics

Dimensions: 152x152x77mm

Weight: 1.1 kg

Body: Aluminum

EMC

EN 55032, EN 61000-3-2/-3, EN 55024, EN 55035, EN61000-6-2/-4, FCC Part 15B, ICES-003 Issue 6

Safety

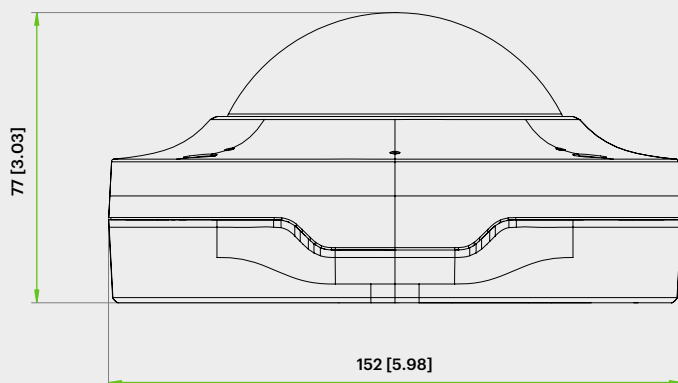
IEC60950-1, IEC62368-1, IEC60950-22,

UL/CSA60950-1, UL/CSA 62368-1,

UL E164374, NOM-019, IEC62471(IR LED)

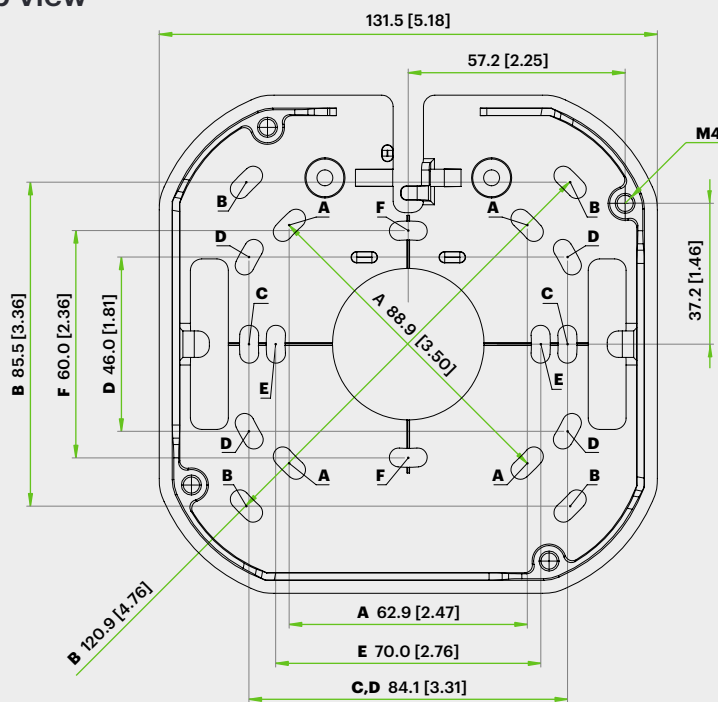
Technical drawings

vcam Pano, side view



Scale 1:2

Mounting bracket, top view



Scale 1:2

	Designation	Dimension (mm)	Dimension (inch)
A	Octagon	62.9 x 62.9 (88.9 diagonal)	2.47 x 2.47 (3.50 diagonal)
B	4" Square Box	85.5 x 85.5 (120.9 diagonal)	3.36 x 3.36 (4.76 diagonal)
C	Single Gang	84.1	3.31
D	Double Gang	84.1 x 46	3.31 x 1.81
E	EU Ceiling Box	70	2.76
F	EU Outlet Box	60	2.36

Ordering information

Product family	PID	Product description
vcam	V-CAM-PANO-12MPW	Vaion vcam Pano with standard Vaion vcare support and 3-year warranty. White finish.
	V-CAM-PANO-12MPB	Vaion vcam Pano with standard Vaion vcare support and 3-year warranty. Black finish.
	V-CAM-MNT-ARMW	Wall mount arm for Vaion vcam Pano cameras. White finish.
	V-CAM-MNT-ARMB	Wall mount arm for Vaion Vaion vcam Pano cameras. Black finish.
	V-CAM-MNT-CAPW	Pendant mounting cap for Vaion vcam Pano cameras. White finish.
	V-CAM-MNT-CAPB	Pendant mounting cap for Vaion vcam Pano cameras. Black finish.
vcare	V-CARE-PCAM-STD	Vaion vcare+ for Vaion vcam, with a 5-year total warranty.