



vaion vcam Dome



Fixed IR Dome camera with motorized zoom and focus



Integrated AI audio and video analytics



Versatile, robust and sleek, fit for both the hardest outdoor and discreet indoor setups



Factory-installed certificates backed by a trusted platform module (TPM)



Dynamic resolution up to 8MP (4K)



Designed and developed in Norway and the UK; assembled in Taiwan

Image sensor

8MP (4K)

Image sensor size format

1/1.8"

Lens

Focal length: 3.6-10mm

Aperture: $f/1.5$ - $f/2.8$

Remote zoom and focus

P-iris

Night vision

Automatic night mode

IR-cut filter

850 nm IR LED

Field of view

100°-45° Horizontal

53°-25° Vertical

Maximum resolution & Frame rate

3840x2160@30fps

Dynamic range

Multi-exposure line-based HDR

Video compression

H.265, H.264, Motion JPEG

Audio

Microphone array (4x microphones)

AI audio event classification

Audio source localization

Security

Factory-installed certificates, no default passwords, mandatory access authentication, HTTPS/TLS encryption

Network protocols

IPv4, HTTPS, TLS, DNS, mDNS, DNS-SD,

NTP, RTSP, RTP, RTCP, ICMP, DHCP, ARP

Streaming: RTP/UDP, RTP/RTSP/HTTPS/TCP

Power source

PoE+ (802.3at Type 2)

For installation only: USB-C (1.5A mode)

Power consumption

Typical: 5 W

Max without heater: 12.95 W

Max with heater: 23 W

Storage

MicroSD, SDXC UHS-I

Connection

802.3ab 10/100/1000 Gigabit Ethernet

USB-C for preview and setup

Installation aid

Electronic leveler. Flexible bracket, mounts to standard back boxes.

Refer to technical drawing.

Impact resistance

IK10 (IEC/EN 62262)

Water protection

IP66 (IEC/EN 60529)

Temperature

Operating: -25C to +50C

Storage: -40C to +60C

Heater: 9.6W

Physical characteristics

Dimensions: 152x152x96mm

Weight: 1.2 kg

Body: Aluminum

Adjustment range: Pan, Tilt, Azimuth

EMC

EN 55032, EN 61000-3-2/-3, EN 55024,

EN 55035, EN 61000-6-1/-3, EN61000-6-2/-4,

FCC Part 15B, ICES-003 Issue 6

Safety

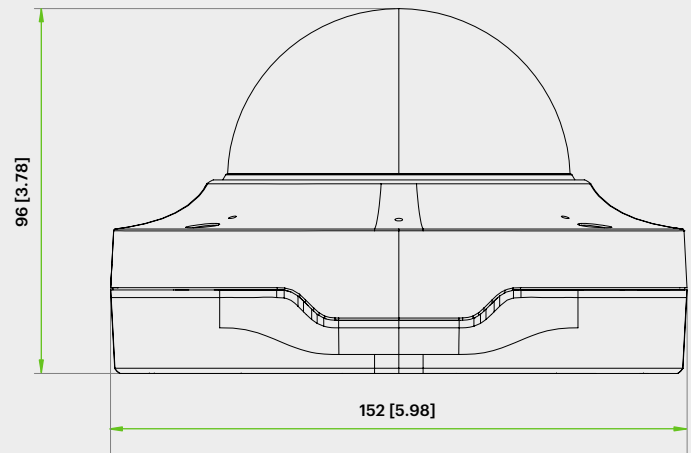
IEC60950-1, IEC62368-1, IEC60950-22,

UL/CSA60950-1, UL/CSA 62368-1,

UL E164374, NOM-019, IEC62471(IR LED)

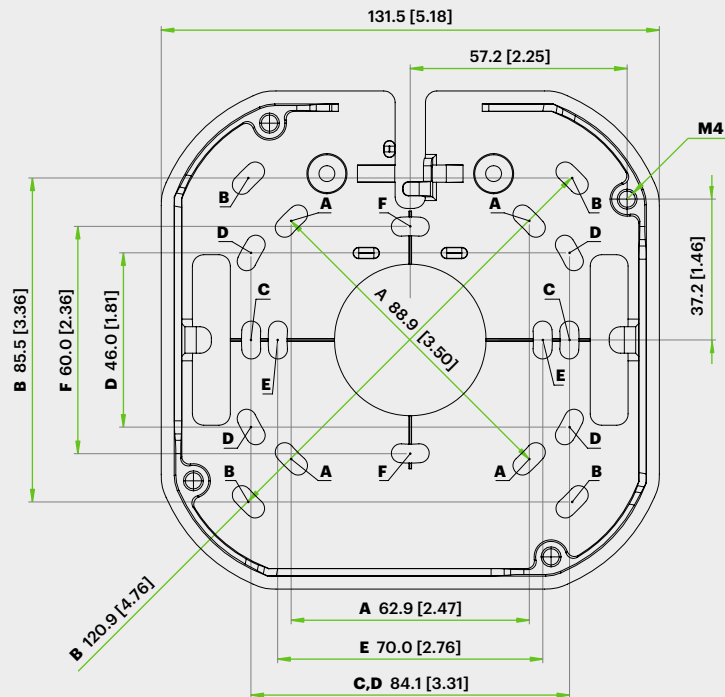
Technical drawings

vcam Dome, side view



Scale 1:2

Mounting bracket, top view



Scale 1:2

| | Designation | Dimension (mm) | Dimension (inch) |
|----------|----------------|---------------------------------|--------------------------------|
| A | Octagon | 62.9 x 62.9 (88.9 diagonal) | 2.47 x 2.47 (3.50 diagonal) |
| B | 4" Square Box | 85.5 x 85.5 (120.9 diagonal) | 3.36 x 3.36 (4.76 diagonal) |
| C | Single Gang | 84.1 | 3.31 |
| D | Double Gang | 84.1 x 46 | 3.31 x 1.81 |
| E | EU Ceiling Box | 70 | 2.76 |
| F | EU Outlet Box | 60 | 2.36 |

Ordering information

| Product family | PID | Product description |
|----------------|-----------------|--|
| vcam | V-CAM-DOME-8MPW | Vaion vcam Dome with standard Vaion vcare support and 3-year warranty. White finish. |
| | V-CAM-DOME-8MPB | Vaion vcam Dome with standard Vaion vcare support and 3-year warranty. Black finish. |
| | V-CAM-MNT-ARMW | Wall mount arm for Vaion vcam Dome cameras. White finish. |
| | V-CAM-MNT-ARMB | Wall mount arm for Vaion Vaion vcam Dome cameras. Black finish. |
| | V-CAM-MNT-CAPW | Pendant mounting cap for Vaion vcam Dome cameras. White finish. |
| | V-CAM-MNT-CAPB | Pendant mounting cap for Vaion vcam Dome cameras. Black finish. |
| vcare | V-CARE-PCAM-STD | Vaion vcare+ for Vaion vcam, with a 5-year total warranty. |