

IP Open Standards Cameras

Standard Resolution, 1.3MPx and 2MPx Outdoor Compact Mini-Dome Cameras



OVERVIEW

The TruVision® IP and IP Megapixel Open Standards Compact Mini-Dome Cameras bring state-of-the-art, high-definition pictures to the mass video surveillance market. With a wide variety of camera resolutions ranging from standard resolution through 2 megapixel, these IP cameras represent a flexible video surveillance device to meet any need. Equipped with advanced technology and signal processing capability, they effectively capture video under challenging conditions. Additionally, the fixed 2.0mm lens on select models provides wide-angle views with minimal scene distortion.

TruVision cameras utilize H.264 compression technology with dual-streaming capability, making it easy to manage the camera's bandwidth usage. These cameras were designed to adhere to PSIA and ONVIF open communication standards, and also support a CGI command set for simple integration into any IP system. Video streams can be set for high and low bandwidth and images can be streamed for live viewing or sent to a designated recording location.

Featuring an integrated browser, TruVision IP and IP Megapixel cameras simplify remote and live monitoring. Privacy masking conceals sensitive scenes and safeguards confidential areas from being observed during live view and recorded on the video file.

STANDARD FEATURES

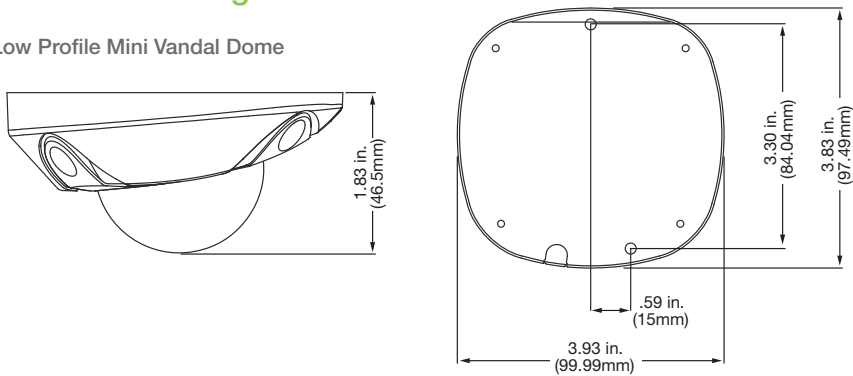
- Range of resolutions including Standard, 1.3MPx and 2MPx imagers
- Designed to PSIA and ONVIF open standards
- Select models feature real-time video streaming up to 1080p resolution to capture every detail
- H.264 compression technology with dual-streaming capability accommodates multiple settings
- 2.0mm fixed lens on select models provides detailed wide-angle views with little scene distortion
- Integrated motion detection and privacy masking
- Vandal-resistant housings and polycarbonate bubbles provide an extra level of protection
- Unique mini-dome design provides a compact weather-rated option for fast deployment
- Included TruVision Device Finder program provides fast and easy access to newly added system devices
- UL approved
- Some models offered in a variety of color (gray, white and black)

Application

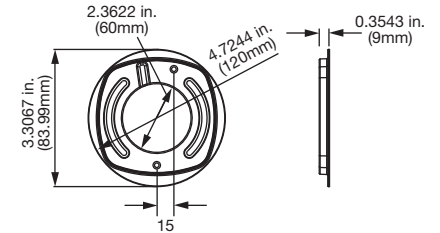
Delivering detailed images in a variety of environments that need it most, TruVision® IP and IP Megapixel cameras are specifically designed for applications that require high-quality IP images. When paired with IP devices, these cameras provide ideal surveillance for environments such as retail, banking, airports or gaming where detailed image capture is critical for effectively monitoring people and transactions.

Dimensional Diagrams

Low Profile Mini Vandal Dome

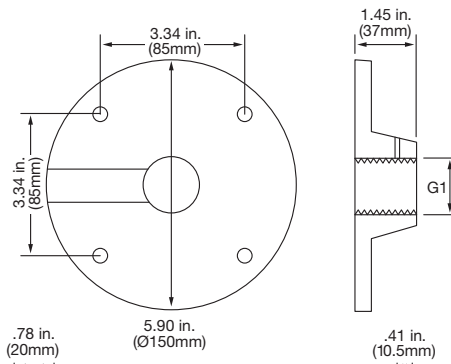


TVD-M2-WEBM Indoor Wedge Electrical Box Adaptor

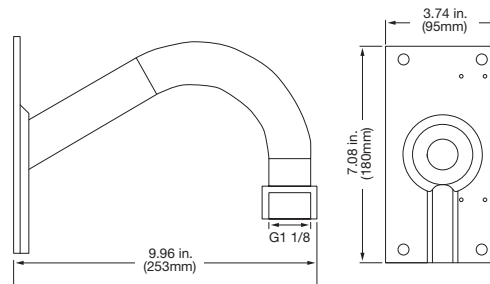


Accessories

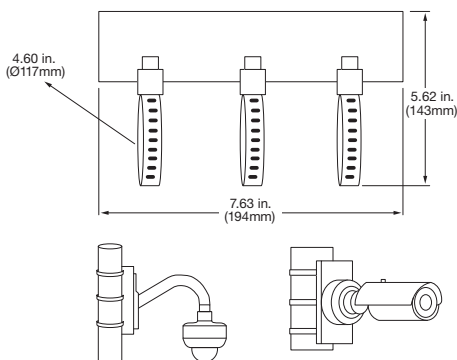
TVD-PPB Pendant Ceiling Bracket



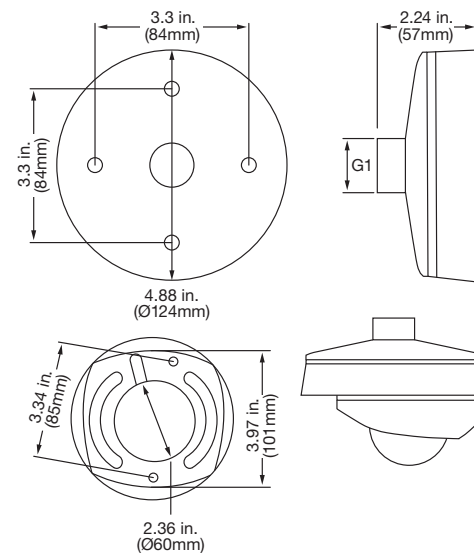
TVD-SNB Swan Neck Bracket










TVD-M-PMA Pole Mount Adaptor



TVD-CB2 2" Cup Base



Specifications

PART NO.	TVD-N210W-4-N TVD-N210W-4-P	TVD-M1210W-2-N TVD-M1210W-2-P	TVD-M1210W-2W-N TVD-M1210W-2W-P	TVW-3107 TVW-1107	TVW-3108 TVW-1108	TVW-3109 TVW-1109	TVD-M2210W-4-N TVD-M2210W-4-P
Description							
Sensor	VGA 1/4" Progressive Scan CMOS	1.3 MPx 1/3" Progressive Scan CMOS					2 MPx 1/3" Progressive Scan CMOS
Day/Night	Digital D/N						
IP Compression/Standard	H.264 PSIA/ONVIF						
Maximum Resolution (@ fps)	640 x 480 (30 fps)	1280 x 960 (30 fps)					1600 x 1200 (15 fps)
Maximum Real-Time Resolution (@ fps)	640 x 480 (30 fps)	1280 x 960 (30 fps)					1280 x 720 (30 fps)
Dual Streaming	Yes						
Video Bit Rate	32 Kbps to 8 Mbps, adjustable						
Sensitivity	0.15 Lux (Color)	0.02 Lux (Color)					3 Lux (Color)
S/N Ratio	> 50 dB						
Auto Exposure (shutter)	1/25s to 1/100,000s						
Lens	4mm, fixed iris	2.8mm, fixed iris			2.0mm, fixed iris		4mm, fixed iris
Voltage Input	12VDC PoE (IEEE 802.3af)						
Power Consumption	4 watts						
I/O Connection	DC jack flying lead RJ45 flying lead						
Network Protocols	TCP/IP, HTTP, DHCP, DNS, DDNS, RTP/RTSP, PPPoE, SMTP, NTP						
Ethernet/IP	CoS 802.1 p/Q, QoS, IPv4						
PoE IEEE	802.3af						
Motion Detection	On-board 396 zones per camera						
Privacy Masking	On-board 396 zones per camera						
Dimensions	3.94 x 3.84 x 1.83 in. (100 x 98 x 47mm)						
Weight	0.5kg (1.1bs)						
Storage Temperature	-20°C ~70°C (-4°F ~158°F)						
Operating Temp.	-10°C ~60°C (14°F ~140°F)						
Environmental Rating	IP66 Vandal-Resistant						
Housing Color	Gray	White	Gray	White	Black	Gray	
Intel-based PC	1 Ghz or faster						
Memory	1 GB RAM						
Operating System	Windows® XP, Vista or 7						
CGI	Direct X 9.0 or later						
Browser	Microsoft Internet Explorer 6.0 or later						

IP Open Standards Cameras

North America
T 855-286-8889

Latin America
T 561-998-6114

Standard Resolution, 1.3MPx and 2MPx
Outdoor Compact Mini-Dome Cameras

Ordering Information

NTSC

TVD-N210W-4-N	TruVision® VGA Open Standards, Progressive Scan CMOS Low Profile Mini Vandal Dome Camera, Elec D/N, 4mm Fixed, ONVIF/PSIA, PoE/12VDC, IP66, NTSC, Gray
TVD-M1210W-2-N	TruVision 1.3MPx Open Standards, Progressive Scan CMOS Low Profile Mini Vandal Dome Camera, Elec D/N, 2.8mm Fixed, ONVIF/PSIA, PoE/12VDC, IP66, NTSC, Gray
TVD-M1210W-2W-N	TruVision 1.3MPx Open Standards, Progressive Scan CMOS Low Profile Mini Vandal Dome Camera, Elec D/N, 2.8mm Fixed, ONVIF/PSIA, PoE/12VDC, IP66, NTSC, White
TVW-3107	TruVision 1.3MPx Open Standards, Progressive Scan CMOS Low Profile Wedge Vandal Dome Camera, Elec D/N, 2.0mm Fixed, ONVIF/PSIA, PoE/12VDC, IP66, NTSC, Gray
TVW-3108	TruVision 1.3MPx Open Standards, Progressive Scan CMOS Low Profile Wedge Vandal Dome Camera, Elec D/N, 2.0mm Fixed, ONVIF/PSIA, PoE/12VDC, IP66, NTSC, White
TVW-3109	TruVision 1.3MPx Open Standards, Progressive Scan CMOS Low Profile Wedge Vandal Dome Camera, Elec D/N, 2.0mm Fixed, ONVIF/PSIA, PoE/12VDC, IP66, NTSC, Black
TVD-M2210W-4-N	TruVision 2MPx Open Standards, Progressive Scan CMOS Low Profile Mini Vandal Dome Camera, Elec D/N, 4mm Fixed, ONVIF/PSIA, PoE/12VDC, IP66, NTSC, Gray

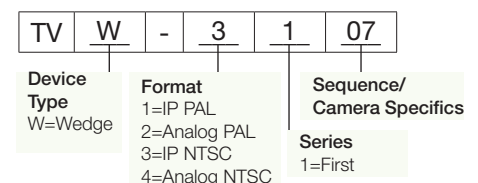
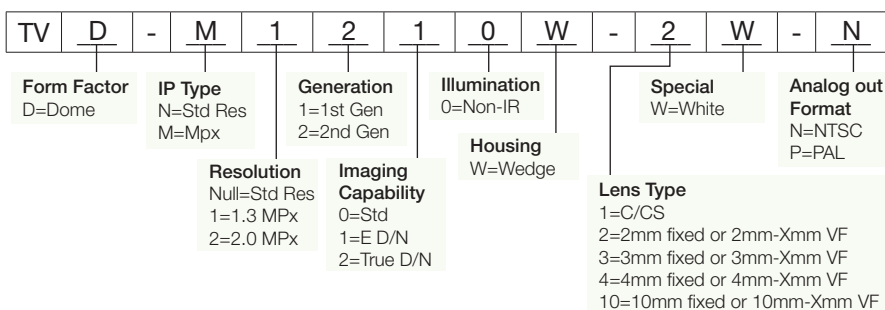
PAL

TVD-N210W-4-P	TruVision VGA Open Standards, Progressive Scan CMOS Low Profile Mini Vandal Dome Camera, Elec D/N, 4mm Fixed, ONVIF/PSIA, PoE/12VDC, IP66, PAL, Gray
TVD-M1210W-2-P	TruVision 1.3MPx Open Standards, Progressive Scan CMOS Low Profile Mini Vandal Dome Camera, Elec D/N, 2.8mm Fixed, ONVIF/PSIA, PoE/12VDC, IP66, PAL, Gray
TVD-M1210W-2W-P	TruVision 1.3MPx Open Standards, Progressive Scan CMOS Low Profile Mini Vandal Dome Camera, Elec D/N, 2.8mm Fixed, ONVIF/PSIA, PoE/12VDC, IP66, PAL, White
TVW-1107	TruVision 1.3MPx Open Standards, Progressive Scan CMOS Low Profile Wedge Vandal Dome Camera, Elec D/N, 2.0mm Fixed, ONVIF/PSIA, PoE/12VDC, IP66, PAL, Gray
TVW-1108	TruVision 1.3MPx Open Standards, Progressive Scan CMOS Low Profile Wedge Vandal Dome Camera, Elec D/N, 2.0mm Fixed, ONVIF/PSIA, PoE/12VDC, IP66, PAL, White
TVW-1109	TruVision 1.3MPx Open Standards, Progressive Scan CMOS Low Profile Wedge Vandal Dome Camera, Elec D/N, 2.0mm Fixed, ONVIF/PSIA, PoE/12VDC, IP66, PAL, Black
TVD-M2210W-4-P	TruVision 2MPx Open Standards, Progressive Scan CMOS Low Profile Mini Vandal Dome Camera, Elec D/N, 4mm Fixed, ONVIF/PSIA, PoE/12VDC, IP66, PAL, Gray

Accessories

TVD-M-PMA	TruVision Pole Mount Adapter (use w/TVD-SNB or TVC-IP Bullet Cameras)
TVD-M2-WEBM	TruVision Electrical Box Adapter for TruVision Open STD Low Profile Mini-Dome Cameras
TVD-SNB	TruVision Dome Swan-neck Bracket
TVD-PPB	TruVision Dome Pendant-mount Bracket
TVD-CB2	TruVision Dome 2" Cup Base

IP/Megapixel part number schema



Specifications subject to change without notice.

© 2014 United Technologies Corporation. All rights reserved.

Interlogix is part of UTC Building & Industrial Systems, a unit of United Technologies Corporation.

401-3783 2014/02 (77064)



interlogix.com