

DVR 11

H.264 Digital Video Recorder



OVERVIEW

The TruVision™ DVR 11 (TVR 11) is a cost-effective, digital video recorder with 4-, 8- or 16-channel capabilities. It utilizes H.264 video compression technology to deliver real-time recording per channel at a CIF resolution.

A built-in Web browser and access via mobile apps allow you to stay connected remotely via any Web-enabled device. Login via smart phone or tablet to configure, view, search, archive and monitor facilities, people or valuables. Compatible with TruVision Navigator, the DVR 11 integrates easily with existing systems and features a familiar, user-friendly interface. Start-up Wizards make installation and DDNS setup quick and simple.

Internal storage from 500GB up to 4TB is available. In addition, video can also be archived via USB memory sticks. For user-friendly, remote management and reliable recording, the DVR 11 represents a comprehensive solution to fit your needs and budget.

STANDARD FEATURES

- H.264 compression technology
- 4-, 8- or 16-channel real-time recording at CIF resolution
- Mobile apps allow you to connect remotely via smart phone or tablet to keep an eye on facilities, people or valuables
- Text Insertion via ProBridge for POS/ATM applications
- Start-up Wizards for quick and easy installation, search and playback
- PTZ and dome camera control via mouse, front panel joystick and IR remote controller
- E-mail notification upon alarm with attached images
- Triple monitor support - Monitor A, Monitor B and Spot Monitor
- Fully compatible with TruVision Navigator software
- Integrates easily with existing systems
- Familiar, user-friendly interface
- Features up to 4TB internal storage
- Time lapse, event and alarm recording settings
- One-channel reverse video playback for easy search of recorded video
- HDMI output for high-quality local viewing
- Compact chassis for 4 channel models

DVR 11

H.264 Digital Video Recorder

North America
T 855-286-8889

Asia
T 852-2907-8108

Australia
T 61-3-9239-1200

Europe
T 32-2-725-11-20

Latin America
T 561-998-6114

Specifications

Model	TVR1104c	TVR1108	TVR1116	
Video/Audio Input	Video Compression	H.264		
	Analog Video Input	4-channel, BNC, (1.0 Vp-p, 75 Ω), PAL/NTSC self-adaptive	8-channel, BNC, (1.0 Vp-p, 75 Ω), PAL/NTSC self-adaptive	16-channel, BNC, (1.0 Vp-p, 75 Ω), PAL/NTSC self-adaptive
	Audio Compression	G711		
	Audio Input	4-channel, RCA, (2.0 Vp-p, 1 Ω)		
	Two-Way Audio	1-ch (Reduplicated with Audio input 1), RCA (2.0 Vp-p, 1 kΩ)		
Video/Audio Output	HDMI Output	1-channel, resolution: 1920x1080P/60Hz, 1600x1200/60Hz, 1280x1024/60Hz, 1280x720/60Hz, 1024x768/60Hz		
	VGA Output	1-channel, resolution: 1920x1080P/60Hz, 1600x1200/60Hz, 1280x1024/60Hz, 1280x720/60Hz, 1024x768/60Hz		
	CVBS Output	1-channel, BNC, (1.0 Vp-p, 75 Ω), resolution: PAL: 704x576, NTSC: 704x480		
	Video Loop Out	n/a	8-channel	16-channel
	Encoding Resolution	4CIF/2CIF/CIF/QCIF		
	Frame Rate	8 fps @ 4CIF, 15 fps @ 2CIF, 25 fps (P)/30 fps (N) @ CIF/QCIF; Total Frame Rate: 120 fps		
	Video Bit Rate	32 Kbps ~ 3072 Kbps, or user-defined (Max. 3072 Kbps)		
	Audio Output	1-ch, RCA		
	Audio Bit Rate	64 Kbps		
	Dual-Stream	Support (Sub-stream at CIF: 6 fps, QCIF: 25 fps (P)/30 fps (N))		
	Stream Type	Video, Video & Audio		
	Playback Resolution	4CIF/2CIF/CIF/QCIF		
	Hard Disk	Synchronous Playback	4-channel	8-channel
SATA		2 SATA interfaces		
External Interface	Capacity	Up to 2TB capacity for each disk		
	Network Interface	1 RJ45 10M/100M Ethernet Interface		
	Serial Interface	1 RS-232 Interface (for Probridge, Challenger, Technical Support); 1 RS-485 interface (for PTZ control or KTD405 keyboard control)		
	USB Interface	2, USB 2.0		
	Alarm In	4		
General	Alarm Out	1		
	Power Supply	12VDC		
	Consumption (without hard disk or DVD-R/W)	≤ 15 W	≤ 20 W	≤ 30 W
	Working Temperature	-10° to 55°C		
	Working Humidity	10% ~ 90%		
	Chassis	1.5U		
	Dimensions (W x D x H)	12.40 x 8.77 x 1.75 in. (315 x 222.8 x 44.5mm)	14.25 x 13.0 x 3.07 in. (362 x 330 x 78mm)	
	Weight	≤ 8 kg (without hard disk)		
	Web browser support	Windows Internet Explorer version 6,7,8 and 9; Mozilla Firefox version 3.5 and above; Google Chrome version 8.0 and above		

TruVision™ DVR 11 storage tables

16-Channel Models

Storage	30 Days			60 Days			90 Days		
	CIF	2CIF	4CIF	CIF	2CIF	4CIF	CIF	2CIF	4CIF
2TB HDD	15 fps	8 fps	4 fps	6 fps	4 fps	2 fps	4 fps	2 fps	1 fps
4TB HDD	30 fps	15 fps	8 fps	12 fps	8 fps	4 fps	10 fps	6 fps	2 fps

8-Channel Models

Storage	30 Days			60 Days			90 Days		
	CIF	2CIF	4CIF	CIF	2CIF	4CIF	CIF	2CIF	4CIF
1TB HDD	15 fps	8 fps	4 fps	6 fps	4 fps	2 fps	4 fps	2 fps	1 fps
2TB HDD	30 fps	15 fps	8 fps	12 fps	8 fps	4 fps	10 fps	6 fps	2 fps

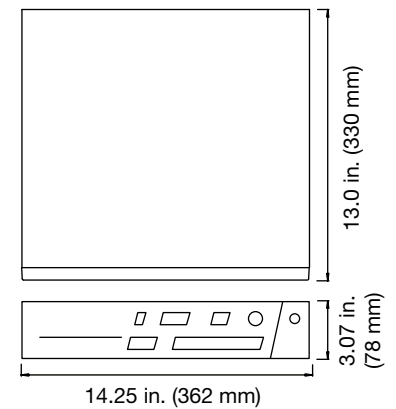
4-Channel Models

Storage	30 Days			60 Days			90 Days		
	CIF	2CIF	4CIF	CIF	2CIF	4CIF	CIF	2CIF	4CIF
500GB HDD	30 fps	15 fps	8 fps	15 fps	8 fps	4 fps	10 fps	6 fps	2 fps
1TB HDD	30 fps	15 fps	8 fps	30 fps	15 fps	8 fps	20 fps	12 fps	6 fps

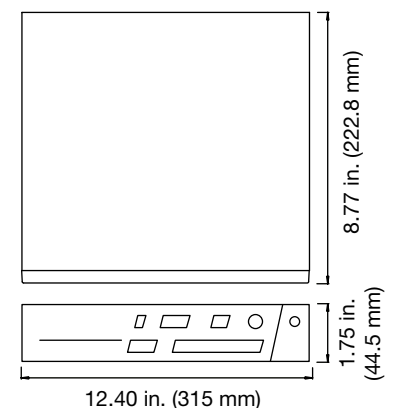
Storage table assumes continuous recording for all cameras at highest quality setting in NTSC video format (with audio recording off). Actual storage and frames per second (fps) may vary by application, camera type, and environmental conditions.

Dimensional Diagram

TVR1108, TVR1116



TVR1104c



Ordering Information

TVR-1104c-500	TruVision™ DVR 11 Compact, H.264, 4 ch, 500GB Storage
TVR-1104c-1T	TruVision DVR 11 Compact, H.264, 4 ch, 1TB Storage
TVR-1108-1T	TruVision DVR 11, H.264, 8 ch, 1TB Storage
TVR-1108-2T	TruVision DVR 11, H.264, 8 ch, 2TB Storage
TVR-1116-2T	TruVision DVR 11, H.264, 16 ch, 2TB Storage
TVR-1116-4T	TruVision DVR 11, H.264, 16 ch, 4TB Storage



interlogix.com

Specifications subject to change without notice.

© 2013 Interlogix.
All rights reserved.
Interlogix is part of UTC Climate, Controls & Security,
a unit of United Technologies Corporation.

212-3616 2013/01 (72863)