

Tokina

5.0 Mega-pixel resolution of HD monofocal lens

TC0914HD 2/3" f=9mm F/1.4 HIGH DEFINITION / MANUAL IRIS

MERIT

SUPER HIGH DEFINITION: PIXEL SIZE 3.6 μ m

LOW DISTORTION: Optical 0.5%

EXCELLENT DURABILITY IN LENS BODY

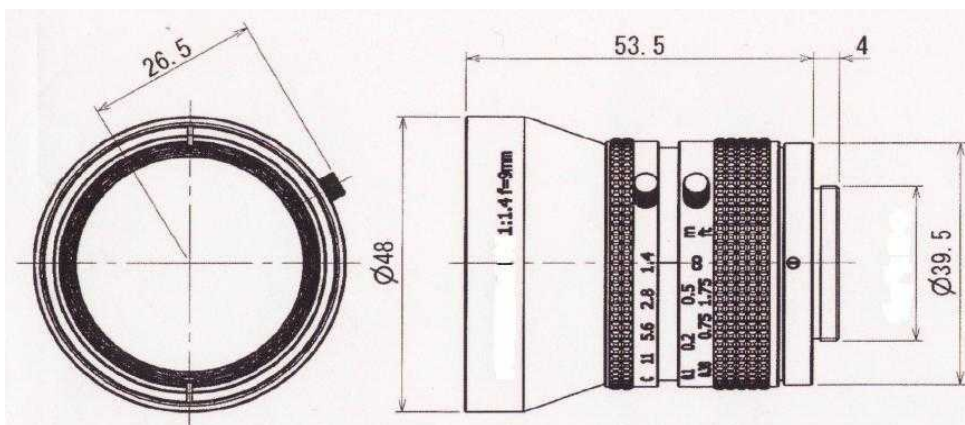
Obedient aberration characteristic

Lockable on IRIS and FOCUS



SPECIFICATION

MODEL NUMBER		TC0914HD
IMAGE FORMAT		2/3inch
FOCAL LENGTH		9mm
MAXIMUM APERTURE		F1.4
APERTURE RATIO		F1.4-C
M.O.D.		0.1m
ANGLE OF VIEW	2/3"	51°(H)X 39°(V)
	1/2"	38°(H)X 29°(V)
	1/3"	29°(H)X 22°(V)
EXIT PUPIL POSITION		-550mm
FILTER SIZE		M46 P=0.75
DIMENSIONS		ϕ 48.0xD53.5mm
WEIGHT		200g
MOUNT		C



TOKINA Co.,Ltd.

Security Products Division
120-4 NOZUTA-MACHI, MACHIDA-SHI,
TOKYO, 195-0063 JAPAN

TEL: +81-42-734-8255 FAX: +81-42-735-1463
E-mail: cctv@tokina.co.jp

DESIGN AND SPECIFICATIONS ARE SUBJECT TO CHANGE WITHOUT NOTICE

200804 TC0914HD