

Product Information – CFO100 Digital One channel video only link

For high performance uncompressed real time video transmission. CFO First Mile series consist of fibre optic video modems providing a lossless point-to-point transmission system for variety of CCTV applications.



The DIGITAL CFO100 First Mile series offers a highly cost-effective single channel composite video transmission over one multimode fibre.

High quality video image can be transmitted over distances up to 6.5 km depending on the type of multimode fibre in use.

A typical application is a point-to-point transmission from a fixed CCTV camera to a monitoring centre.

The DIGITAL CFO100 follows the same form factor as its analogue predecessor. The series consist of mini sized stand-alone video transmitter followed by standard 5HP size CFO cards for triple channel video transmitter as well as for single and triple channel receiver operation.

The CPT101 stand-alone transmitter is temperature hardened and as a new feature is capable of using both 12 VDC or 24 VAC supply voltage.

Also as an option DIN rail mounting is possible.

CRT103 and CRR101/103 cards are used for standard CFO rack installations. For stand-alone installation requirements the units can be installed into CMA series wall mount module adaptors.

As with all CFO platform products these specific models do meet all typical EMC as well as other environmental and manufacturing related requirements.

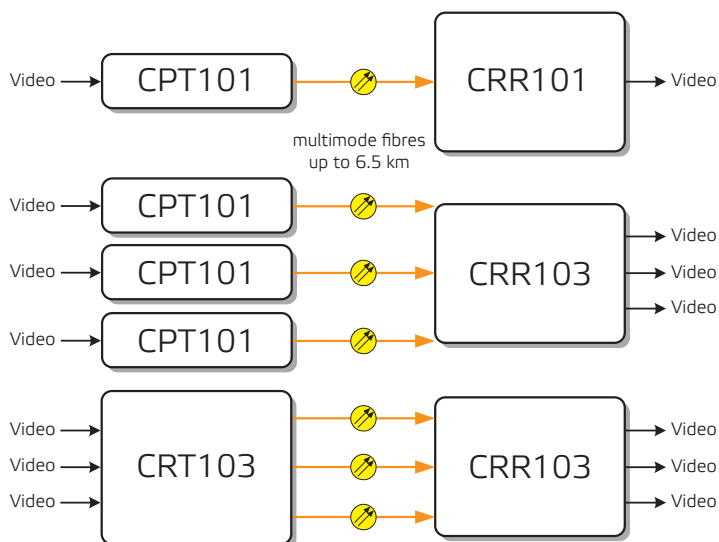
Features

- Low cost video transmission
- High performance uncompressed zero delay digital video transmission, SNR 65 dB typical, 10 bit video sampling
- One CVBS (PAL/NTSC) video channel
- Transmission over on one or three multimode fibre up to 6.5 km
- Card format applicable both for rack mount and stand-alone installations
- One and triple channel units available for both transmitter and receiver
- Transmitter unit available in a special compact-size stand-alone design
- Feasible for field hardened operation
- Mechanically compact and ruggedised
- EMC and environmental conformance

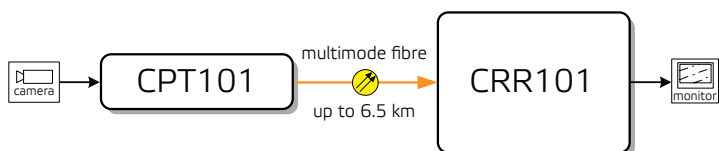


CFO100 Series. One channel video only link for fixed camera applications (non-PTZ). Triple channel format available for small footprint rack mount. Single channel video transmitter is also available in a small and compact housing.

Block diagrams



Application example



Technical specifications *(Typical values unless otherwise stated)*

Optical			General		
Wavelength	1310 nm	multimode fibre	Supply voltage	10.5...14 VDC	regulated
Output power	-6 dBm	max		16...28 VAC	CPT101
Input sensitivity	-25 dBm	max	Current consumption (max)	130 mA	CPT/CRR101
Bit rate	200 Mbps			300 mA	CRT/CRR103
Link distance	6.5 km	max	Power supply connector	2-pin screw terminal	CPT101
Optical connector	ST		<u>Dimensions (H x W x D)</u>		
Video			CRT103 & CRR101/103	3U ● 5HP ● 190 mm	without CMA
Number of channels	1 uni-directional	CPT/CRR101	CPT101	25 ● 48 ● 62 mm	without connectors
	3 uni-directional	CRT/CRR103	Weight	0.2 kg	CPT101
Standard	PAL/NTSC	CVBS		0.5 kg	CRT103 & CRR10x
Input level	1 Vpp		<u>Alarms / indicator LEDs</u>		
Input overload level	1.75 Vpp		Link status	LED	CRR101/103
Impedance	75 ohm		Power	LED	CPT101, CRT103
Sampling resolution	10 bit		Operating temperature	-34...+74 °C	
Sampling rate	20.0 MHz		Storage temperature	-34...+74 °C	recommended
Bandwidth	8 MHz	-1 dB	Humidity	0...95 %	non condensing
Insertion gain	+/-1 dB		EMC compatibility	EN61000-6-3, EN50130-4, CE	
C/L gain inequality	4 %				
C/L delay inequality	40 ns				
Differential gain	2 %				
Differential phase	1°				
SNR	65 dB	weighted			
Video connector	BNC female				

Copyright © 2013 Teleste Corporation. All rights reserved. TELESTE is a registered trademark of Teleste Corporation.

P4P_CFO100 Digital, July 2013