

## Stainless Steel Camera Housing

# 168 Series

- AISI316L Stainless Steel construction
- For use in highly corrosive environments
- Easy installation and maintenance
- Wiper and washer version available
- Weatherproof standard IP67
- Refined and modern design



■ 168WW + SSBK168  
Housing with wash wiper and wall mounting bracket

- Harsh environments may seriously damage delicate electronics and optical parts of cameras and lenses. To avoid this problem, the best solution is a stainless steel camera housing.

We created a line for the wide range of cameras and other similar applications which are too large for 129 series and too small to require 204 series.

This line of housings is the 168 series: a line of camera housings entirely made in stainless steel to completely guarantee an absolute protection from aggressive external agents.

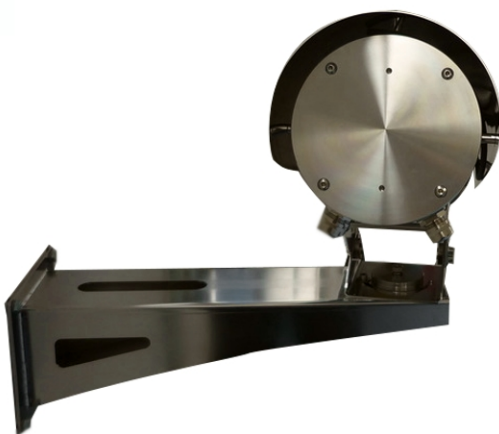
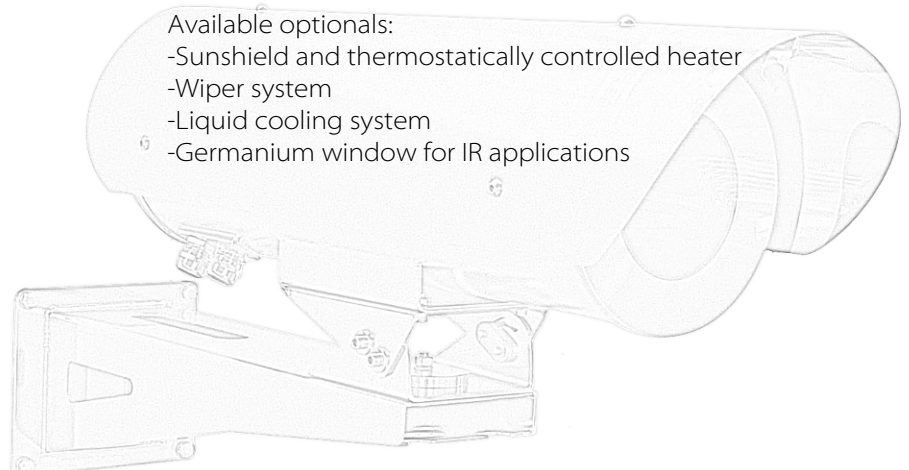
This housing is entirely built in AISI316L stainless steel and has a modern and refined look, which allows this product to be the best choice for every ambient condition.

Due to its competitive price, this camera housing is a perfect replacement even for aluminium housings, if high quality standards are required.

The 168 Series can be brought with many variations and optionals. Two standard lengths are available (500mm and 600mm).

Available optionals:

- Sunshield and thermostatically controlled heater
- Wiper system
- Liquid cooling system
- Germanium window for IR applications



■ 168SH  
Rear view

# Technical Specifications

## MODELS

168*	Housing (Length=500mm)
168-L*	Housing (Length=600mm)
168SH*	Housing (500mm) + Sunshield + Heater
168SH-L*	Housing (600mm) + Sunshield + Heater
168WW**	Housing (500mm) + Sunshield + Heater + Wiper
168WW-L**	Housing (600mm) + Sunshield + Heater + Wiper
168IR70***	Housing (500mm) UW: 70
168IR70-L***	Housing (600mm) UW: 70
168SHIR70***	Housing (500mm) UW: 70 + Sunshield + Heater
168SHIR70-L***	Housing (600mm) UW: 70 + Sunshield + Heater
168WWIR70***	Housing (500mm) UW: 70 + Sunshield + Heater + Wiper
168WWIR70-L***	Housing (600mm) UW: 70 + Sunshield + Heater + Wiper
168IR110***	Housing (500mm) UW: 110
168IR110-L***	Housing (600mm) UW: 110
168SHIR110***	Housing (500mm) UW: 110 + Sunshield + Heater
168SHIR110-L***	Housing (600mm) UW: 110 + Sunshield + Heater
168WWIR110***	Housing (500mm) UW: 110 + Sunshield + Heater + Wiper
168WWIR110-L***	Housing (600mm) UW: 110 + Sunshield + Heater + Wiper

- \* Usable front window diameter: 130 mm; thickness 5mm.  
 \*\* Usable front window diameter: 104 mm, vandal resistant glass 12mm thickness.  
 \*\*\* UW=Usable window diameter; Germanium window, thickness 3 mm, AR/DLC coating.

**Note:** we are ready to fulfil any particular request such as different housing length or different glass diameter

## GENERAL & MECHANICAL

**Construction:** AISI316L Stainless Steel  
**Finish:** Electro-polished

### External Dimensions

Model	HxW [mm]	L [mm]
168SH (sunshield included)	222x206	650
168SH-L (sunshield included)	222x206	750

### Internal dimensions, Maximum camera + lens size:

Model	HxW [mm]	L [mm]
168	96x96	489
168-L	96x96	589
168WW	96x96	370
168WW-L	96x96	470

### Weight [kg]

Model	Unit	Package
168	11	12
168-L	13.5	14.5
168SH	13	14
168SH-L	15	16
168WW/168WWIR70	12.5	13.5
168WW-L/168WWIR70-L	13.5	14.5
168IR70/168IR110	11.5	12.5
168IR70-L/168IR110-L	13	14
168SHIR70/168SHIR110	13.5	14.5
168SHIR70-L/168SHIR110-L	15.5	16.5
168WWIR110	12.5	13.5
168WWIR110-L	13.5	13.5

### Cable Entry:

4 M20x1,5 nickel plated brass cable glands (included).  
 Standard cable diameter 6-10mm, upon request cable diameter 8-12mm. Different cable entries are available to meet every installation requirement.

## ELECTRICAL

### Thermostatically controlled Heater:

**T[°C] ON = 15 ± 4°C, T[°C] OFF = 23 ± 3°C**

Available voltages: 24,110, 240 VAC (specified at order)  
 Power consumption: 15W

### Wiper:

Available voltages: 24VAC (8W), 240VAC (8W), 24VDC (4W) (specified at order)

### Washer Pump:

A wide range of water reservoirs with different pumping height capabilities is available:

WP5-5m	5 Litres tank, 5 metres delivery head
WP10-5m	10 Litres tank, 5 metres delivery head
WP25-5m	25 Litres tank, 5 metres delivery head
WP5-10m	5 Litres tank, 10 metres delivery head
WP10-10m	10 Litres tank, 10 metres delivery head
WP25-10m	25 Litres tank, 10 metres delivery head
WP25-15m	25 Litres tank, 15 metres delivery head
WP25-10m-SS*	25 Litres tank, 10 metres delivery head
WP25-15m-SS*	25 Litres tank, 15 metres delivery head

\* Entirely made in AISI316L stainless steel

## RECOMMENDED MOUNTING ACCESSORIES

SSBK168	AISI316L Stainless Steel wall mounting bracket with swivel
SSPM168	AISI316L Stainless Steel Pole Mount adapter
SSPT300	AISI316L Stainless Steel Pan & Tilt unit

## CERTIFICATIONS

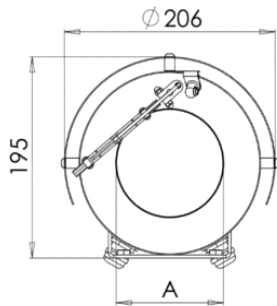
**Weatherproof standard:** IP67  
 CE Compliant

## RECOMMENDED SPARE PARTS AND ACCESSORIES

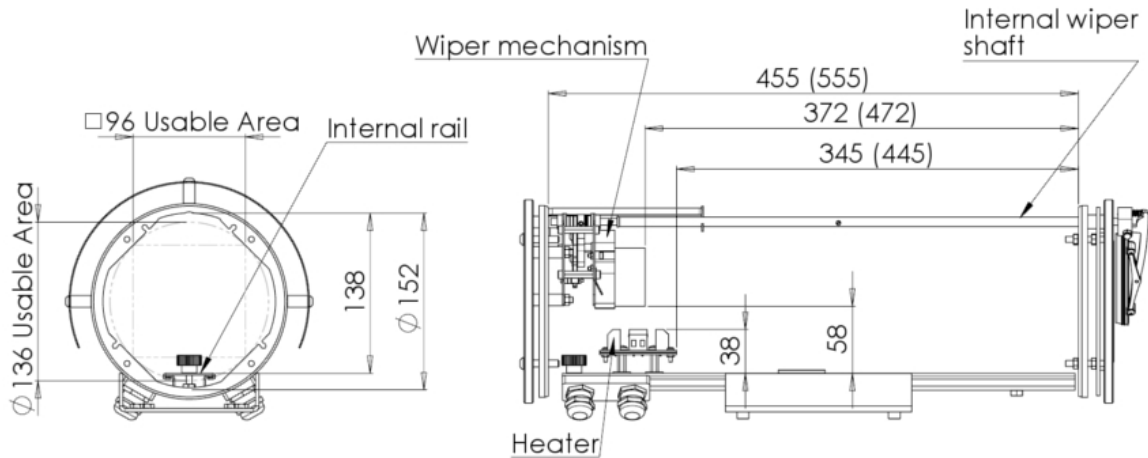
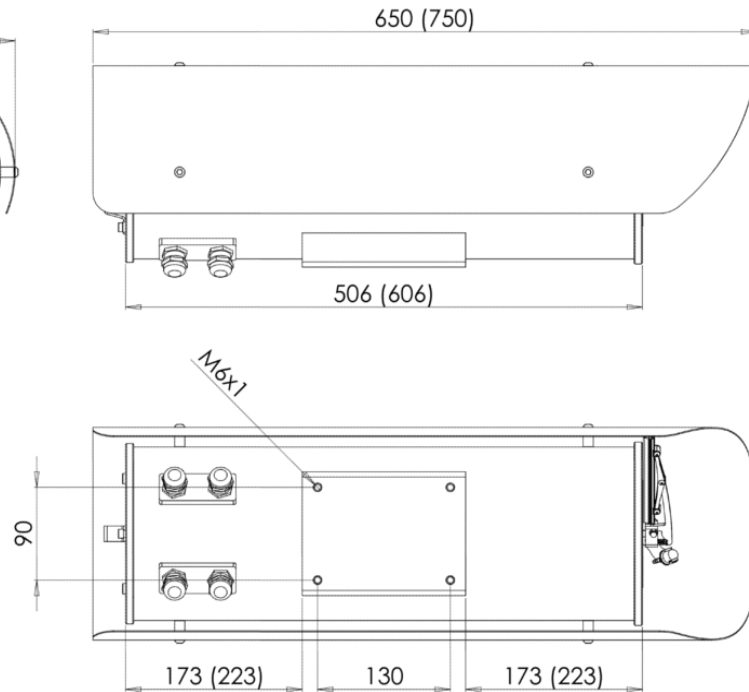
WB168	Complete wiper blade assembly
WBK168	Wiper blade spare part (only spare part: rubber blade and support)
HK168	Heater Kit 15W (24VDC, 24VAC, 100 VAC or 240 VAC available)
MK168	Maintenance Kit with O-ring seals, screw seals, screws, desiccant bags.

# Dimensions

**FRONTAL VIEW**



**SIDE VIEW**



**Dimensions in brackets refer to models 168 with 600 mm tube length.**

Available measures for "A"

A = **130** mm for 168, 168-L, 168SH and 168SH-L

A = **104** mm for 168WW and 168WW-L

A = **110** mm for 168IR110 models (germanium window)

A = **70** mm for 168IR70 models (germanium window)