



Proximity reader

A stylish and fully featured EM4100 proximity reader from TDSi. eXprox offers a high quality mullion mounted reader available in robust ABS plastic or vandal resistant stainless steel housings with excellent read range.

Features of the eXprox reader

- Available with choice of designs and finishes
- Fully encapsulated design for maximum water and dust ingress protection
- Integral indication LEDs and sounder all with individual control
- Read range up to 150 mm
- Wiegand or clock and data output



Benefits of the eXprox reader

- Good read range and excellent reliability
- Vandal resistant stainless steel version available for peace of mind
- Adapt the look of the reader to suit the surroundings with graphite and ivory clip-on covers
- Unambiguous audible and visual indication of card reads and access status maximises user confidence
- Compatible with all standard access control systems

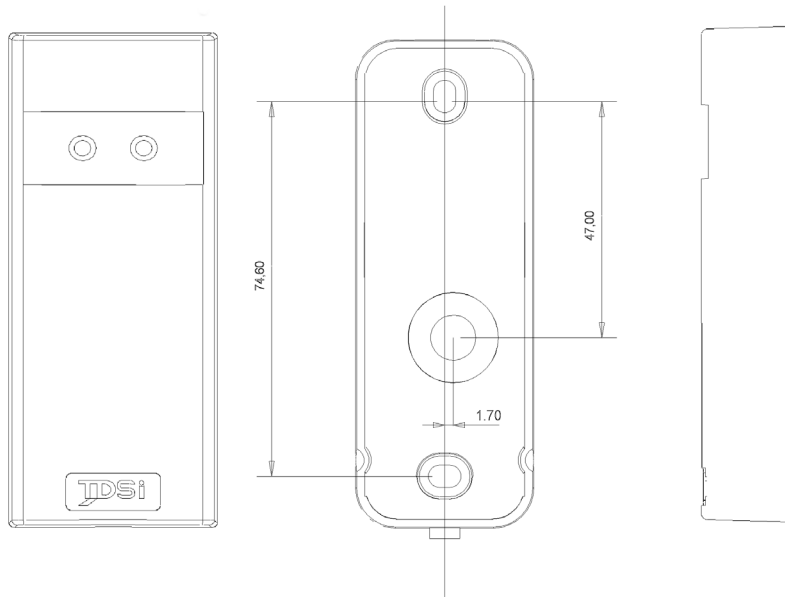
eXprox

TDSi
ACCESS EVERYWHERE

w: tdsi.co.uk
e: sales@tdsi.co.uk
t: +44(0)1202 666222



Proximity reader



Technical Data

Dimensions	40 x 101 x 18 mm
Weight	205 g (eXprox) 280 g (eXprox VR)
Operating environment	-20°C to +55°C, 0 to 95 %RH (non-condensing)
Power supply	5 to 14 VDC, 100 mA max
Operating frequency	125 kHz
Card technology	EM4102 Compatible
Sounder	Integral with external control
LEDs	2 – red and green both with independent external control
Read range	<150 mm with ISO card, <70 mm with tag (eXprox) <70 mm with ISO card, <30 mm with tag (eXprox VR)
Output formats	Mag stripe, 26-bit Wiegand

Ordering Information

Part No:	Product Description:
5002-0354	eXprox
5002-0355	eXprox VR (Vandal resistant)

eXprox



w: tdsi.co.uk
e: sales@tdsi.co.uk
t: +44(0)1202 666222



Q05134