

# CAM4471

## 3 Megapixel Real Time HDR Day&Night Fixed Dome Network Camera



- 3 Megapixel Progressive Scan Sensor
- Up to 2048x1536 30FPS & 1920x1080 60FPS
- H.264/MPEG4/MJPEG 2 Simultaneous Video Streams
- Surveon Video Intelligent Ready
- Advanced ISP Function (HDR, Luminance Control, 2D/3D De-noise, Edge Enhancement, Lens Correction)
- PoE (IEEE 802.3af) and Day/Night IR-Cut Filter
- Built-in IR Illuminators, Effective Up to 30 Meters
- IP66, Wide Temperature, and Vandal Proof for Outdoor Application
- 3X Optical Zoom with Auto Focus (CAM4471M)



### Product Specification

Camera	
Image sensor	1/3" 3 megapixel progressive scan CMOS
Lens	4471V: 2.8 - 12 mm varifocal lens, F1.4 4471M: 3 - 9 mm motorized lens, F1.2
SNR	48dB
WDR	Yes (HDR, 100 dB)
Day/Night ICR	Yes
IR LED	Yes (Max. 30M on limited shutter)
Min illumination	0.01 Lux @ F1.2 (B/W) 0.1 Lux @ F1.2 (Color)
Iris control	DC drive
Shutter time	1/1 ~ 1/1,000,000 s
Viewing angle	CAM4471V: Diagonal: 116°~36° Horizontal: 91°~28° Vertical: 74.7°~21.2° CAM4471M: Diagonal: 128.2°~39.7° Horizontal: 96.4°~31.7° Vertical: 69.6°~23.7°
Camera angle adjustment	Pan 0° ~340° Tilt 30° ~90°
Pan/tilt/zoom functionalities	N/A
Video	
Video compression	H.264/MPEG-4/MJPEG
Resolution	Up to 2048 x 1536
Frame rate	30 fps at QXGA (2048 x 1536) 60 fps at 1080P (1920 x 1080) 60 fps at SXGA (1280 x 1024) 60 fps at 720P (1280 x 720) 60 fps at D1 (720 x 480) 60 fps at VGA (640 x 480) 60 fps at QVGA (320 x 240)
Video stream	Dual stream at H.264, MPEG-4, and MJPEG simultaneously
Bit rate	64K ~ 10Mbps, VBR, CBR, controller frame rate and quality
Video control	AGC (Auto Gain Control), AWB (Auto White Balance), AES (Auto Electronic Shutter), HDR, Luminance Control, 2D/3D De-noise, Edge Enhancement, Lens Correction, image adjustment

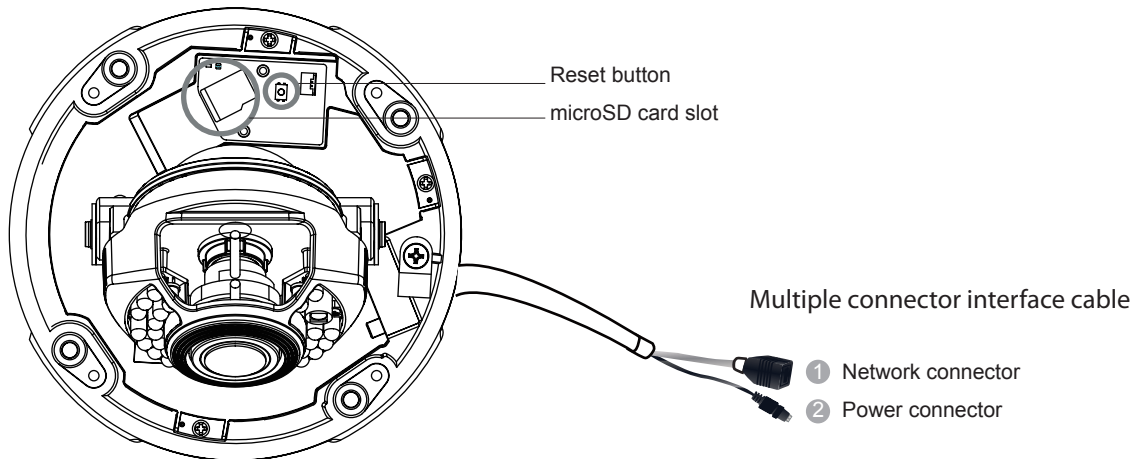
Intelligent video	Motion detection, tampering detection (blocked, redirected, defocused, or spray-painted)
Video jack	Yes (BNC)
Audio	
Built-in MIC	N/A
Audio compression	16KHz, ADPCM/G.711
Audio input/output	3.5mm phone jack (optional)
I/O and Event Management	
Alarm in	1, terminal block (optional)
Alarm out	1, terminal block (optional)
Video buffer	5 second pre-alarm, 30 second post-alarm
Event action	Send snapshot or video clip by FTP or email, record to NAS, record to local storage, trigger DO
Network	
Supported Protocols	IPv4, ARP, TCP, UDP, ICMP, DHCP, NTP, DDNS, SMTP, FTP, HTTP, CIFS, PPPoE, UPnP, RTP, RTSP, RTCP, 3GPP
Ethernet	10/100 Base-T / RJ45
System	
Local storage	microSD/SDHC x 1 (Class 4/Class 6 only)
RS-485	N/A
USB	N/A
SDK	Surveon SDK 2.0
Viewing System	
OS	Microsoft Windows XP/Vista/7
Browser	Microsoft IE 6.0 or above
Software	Surveon VMS 2.4.8
General	
Temperature	Operation: -40°C ~ 50°C (-40°F ~ 122°F) Storage: -30°C ~ 60°C (-22°F ~ 140°F)
Humidity	5 to 90%
Power	12VDC 1.5A ; PoE (IEEE 802.3af) with Class 3
Power consumption	Max. 8W (w/o Heater) Max. 13W (w/ Heater)
Dimension	ø144mm x 116mm (H) ø5.67" x 4.57"(H)
Weight	Net: 1,260g (2.78lb.) Gross: 1,930g (4.27lb.)
Certification	Safety: LVD / EMC: FCC, CE, GOST, IP66

\* All specifications are subject to change without notice.  
\* All brand names and registered trademarks are the property of their respective owners.

# CAM4471

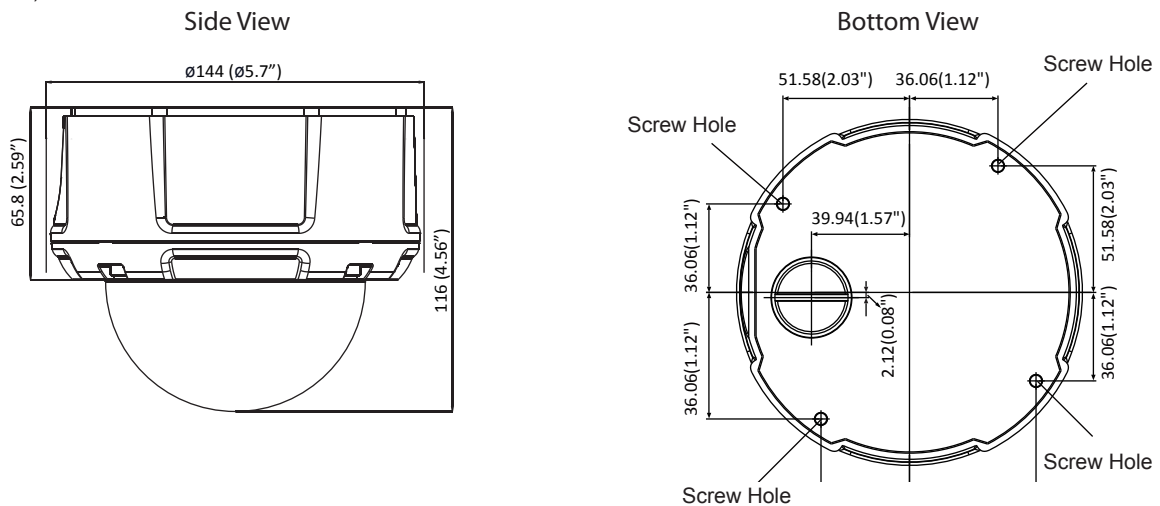
3 Megapixel Real Time HDR Day&Night Fixed Dome Network Camera

## Part Names and Functions



## Appearance

Unit:mm(inches)



## Package Content

Contents	Quantity
Quick Installation Guide	1
Product DVD	1
CAM4471V(M)	1
Screw Hole Indicator Sticker	1
Anchors and Mounting Screws	4
L Type Hexagon Spanner	1

## Ordering Information

Part Number	Description
CAM4471V-0015	3 megapixel HDR day&night outdoor fixed dome network camera with varifocal lens
CAM4471M-0015	3 megapixel Auto Focus day&night outdoor fixed dome network camera with motorized lens

## Optional Accessories

Part Number	Description
ZPWR18W-0030	Power Adapter
ZBracketL-0050	L type bracket