

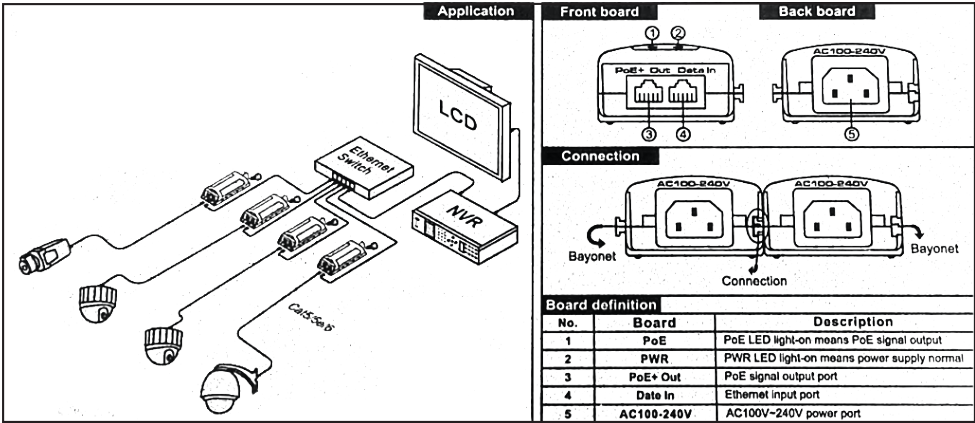


802.3af/at Gigabit PoE Injector

POEINJ

Features

- Used in conjunction with Ethernet switch to power PoE cameras
- Meets IEEE 802.3af/at Ethernet standard
- Ethernet speeds up to 10/100/1000Mbps
- 2 year warranty
- Bayonet slots to attach multiple units together



Camera Specifications

Ports	1 x RJ-45 output, 1 x RJ-45 input	6KV Surge Immunity	8KV ESD Protection and Anti-Interference Ability
Ethernet Speed	Up to 10/100/1000Mbps	Operating Temperature	32°F - 131°F
PoE Standards	IEEE 802.3at/af	Storage Temperature	-40°F - 185°F
Power	30W Max	Operating Humidity	0% - 95%
Output Voltage	54 VDC	Dimensions	4.7" (W) x 2.4" (H) x 1.5" (L)
PoE Power Supply Mode	0-300ft	Weight	8 oz.
Transmission Distance	End- Span (1/2,3/6)		



*Products are in compliance with NDAA Section 889 Part B Guidelines

