

# UNI-RMB1

Security Housing Mount Bracket

**SONY**  
make.believe

## Parapet Mount Bracket

The UNI-RMB1 is an aluminum parapet mount bracket designed to be used on roof top parapets, and features a 1½ - inch NPT pipe thread. The design allows the dome to be swung back over the roof for servicing. It can be used with all Sony pan/tilt/zoom camera dome enclosures. And can be used with the outdoor rapid dome cameras such as SNC-RH164, SNC-RS84N, SNC-RS86N.



### KEY FEATURES

- All aluminum construction.
- Durable powdercoat finish.
- 1½ - inch NPT pipe thread for quick and easy mounting.
- 50 lb load rating.

### BID SPECIFICATIONS

- The parapet mount bracket shall be a Sony model UNI-RMB1 or equivalent. The UNI-RMB1 offers ease of installation and service for parapet mount applications. It's designed to be used on either inside or outside roof top parapets, and features a 1½ - inch NPT pipe thread for mount to Sony pan/tilt/zoom camera dome enclosures and pendant mount dome housings. An access plug and extension piece is provided for easier wire pulls, and allows more flexibility in mounting. The design allows the dome to be swung back over the roof for servicing. The brackets feature a protective powdercoat finish. The UNI-RMB1 has a white finish.

## SPECIFICATIONS

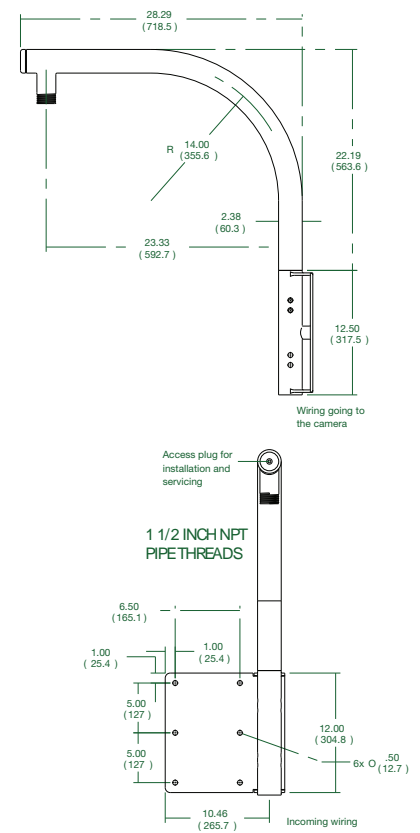
| UNI-RMB1          |   |
|-------------------|---|
| <b>Mechanical</b> |   |
| Size (HxWxD)      | 34.69 x 12 x 29.44 inches (881.1 x 304.8 x 747.8mm)                         |
| Weight            | 18 lbs. (8.2 kg) without camera   |
| <b>Shipping</b>   |   |
| Weight            | 18 lbs. (8.2 kg)  |
| Box dimensions    | 36 x 29 x 5 inches (914.4 x 736.6 x 127mm)                                  |
|                   | *Shipping weights are dependent on weight of product and shipping materials |
| <b>Attributes</b> |   |
| Body construction | Aluminum  |
| Environment       | Outdoor   |
| Mounting style    | Roof  |
| RoHS              | Yes   |
| WEEE              | Yes   |

## PRODUCT IMAGE



## DIMENSIONS

Unit: inches (mm)



© 2011 Sony Electronics Inc. All rights reserved.  
 Reproduction in whole or in part without written permission is prohibited.  
 Features and specifications are subject to change without notice.  
 Weights and measurements are approximate.  
 Sony, the Sony make.believe and their respective logos are trademarks of Sony.

Sony Electronics Inc.  
 1 Sony Drive  
 Park Ridge, NJ 07656  
[sony.com/security](http://sony.com/security)