

SSC-N22A

Analog Color Mini Dome Camera

SONY
make.believe

540 TV Line Security Camera with High Sensitivity

- Horizontal resolution of up to 540 TV lines
- High sensitivity
Color: 0.15 lx (F1.2, 50 IRE)
B/W: 0.01 lx (F1.2, 50 IRE)
- x3.7 Variable focal lens
- Compact design

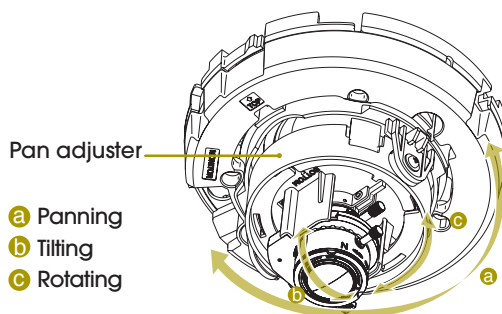


KEY FEATURES

- High resolution (540 horizontal TV lines) and high sensitivity (Color: 0.15 lx / B/W: 0.01 lx, F1.2, 50IRE) achieved by a 1/3-type Super HAD CCD II™ sensor and Sony's new digital signal processor, Effio-E™.

Super HAD CCD II™

- 3.7x variable focal length lens with a focal length of 2.8 mm to 10.5 mm and a horizontal angle of view of 101.8° to 27.4°.
- Easy and flexible camera angle adjustment achieved by a new three-hinge structure.



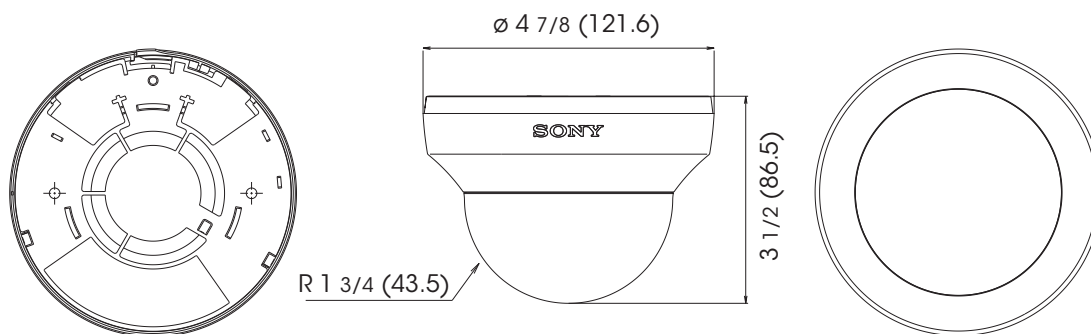
- ATR-Lite (Adaptive Tone Reproduction Lite) to compensate for gradation of subjects to an optimum level.
 - iBLC to compensate for exposure levels in dark scenes to help improve subject visibility.
 - ATW (Automatic Tracing White) balance which automatically adjusts the camera's white balance to adapt to sudden changes in lighting conditions.
 - Internal lock, and line lock selectable.
 - 2D noise reduction employed.
 - AC 24 V/DC 12 V operation ($\pm 10\%$).
 - Custom template supplied.
- Optical Day / Night function to switch to Day or Night mode depending on the light level.
 - Low power consumption: 1.7 W (Max.).

SPECIFICATIONS

	SSC-N22A
Camera	
Image device	1/3-Type "Super HAD CCD II"
Number of effective pixels (H x V)	380,000 pixels (768 x 494)
Signal system	NTSC standard
Horizontal resolution	540 TV lines
S/N ratio	More than 55 dB(AGC Off)
Minimum illumination	Color: 0.15 lx, B/W: 0.01 lx (F1.2, 50 IRE) Color: 0.08 lx, B/W: 0.003 lx (F1.2, 30 IRE)
Video output	VBS:1.0Vp-p
Synchronization	Internal/AC line lock selectable
Gain control	Auto (on/off)
White balance	ATW (2000K to10000K), ATW-PRO (2500K to 6000K)
Lens type	Built-in variable focal lens
Zoom ratio	Optical 3.7X
Horizontal viewing angle	101.8 degree to 27.4 degree
Focal length	f=2.8 to 10.5 mm
F Number	F1.2(Wide end), F2.6(Tele end)
Minimum object distance	300 mm
Iris	Auto
Panning range	355 degree
Tilting range	±77 degree
Swivel rotation	350 degree
Camera Features	
Day/Night	Yes
Noise reduction	Yes (2D NR)
Back light compensation	Yes (iBLC)
Automatic tone reproduction	Yes (ATR-Lite)
General	
Weight	11.3 oz (320 g)
Dimensions	ø 4 7/8 x 3 1/2 inches (ø 121.6 mm x 86.5 mm)
Power requirement	AC24 V ±10%, DC12 V ±10%
Power consumption	Max. 1.7 W
Operating temperature	14F° to 122F° (-10°C to +50°C)
Storage temperature	-40F° to +140F° (-40 °C to +60 °C)
Operating humidity	20 % to 80 %
Storage humidity	20 % to 95 %
Supplied accessories	Template x 1, Operating instructions x 1

DIMENSIONS

Unit: inches (mm)



© 2011 Sony Electronics Inc. All rights reserved.
 Reproduction in whole or in part without written permission is prohibited.
 Features and specifications are subject to change without notice.
 Weights and measurements are approximate.
 Sony, the Sony logo, the Sony make.believe logo, Super HAD CCD II and
 Effio-E are trademarks of Sony.
 All other trademarks are the property of their respective owners.