

## PSX Power Solutions Battery Enclosures



### Features That Make a Difference:

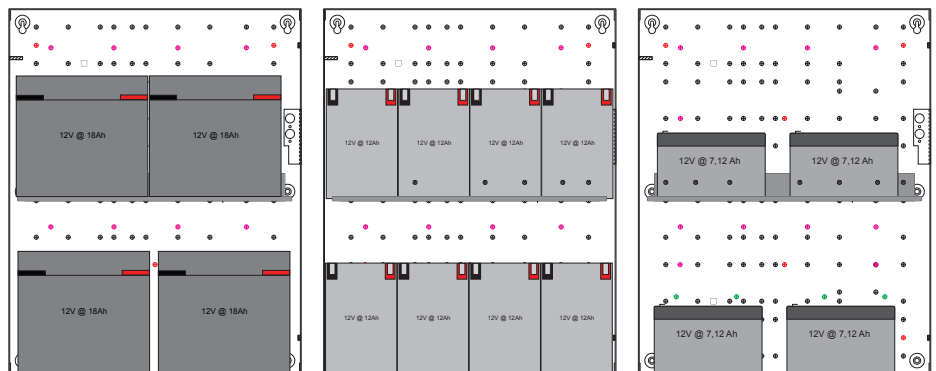
- Rackmount
  - Provides uninterrupted battery back-up for iSTAR controllers
  - Fits up to four (4) 12V DC 8Ah batteries
  - Can be configured for 12V, 24V, or simultaneous 12/24V use
  - Internal self-resetting PTCs for battery protection
  - Quick connect terminals (wire gauge 14-20 AWG)
  - Standard 2U EIA, 19" rack mount chassis
- Wallmount
  - Provides storage for rechargeable battery sets
  - Fits 4, 7, 8, 12, or 18Ah batteries
  - Can be configured for 12V, 24V, or simultaneous 12/24V use
  - Holds four 18Ah batteries with one battery shelf
  - High grade steel design with lock and key included
  - Removable door for easier service
  - Ample 1/2" and 1 1/4" knockouts
  - Supplied with one battery shelf

PSX Rackmount Battery Enclosure is designed expressly for 7 to 8Ah batteries due to internal spacers. The enclosure accommodates up to four (4) 12V DC 8Ah batteries which can be connected in various configurations for either 12V DC or 24V DC applications.

PSX Wall Mount Battery Enclosure is a painted steel locking enclosure for general purpose applications including providing battery space for low voltage power applications. The wall mount

enclosure accepts one shelf to partition the interior for storage of rechargeable batteries. Prewired for standard grounding, a tamper switch is provided with the enclosure for all disciplines except CCTV.

### Wall Mount Configuration Options



## Specifications

### Physical

Dimensions (W x L x H)  
 Rackmount . . . . . 48.3 x 9 x 36 cm (19 x 3.5 x 14 in)  
 Wall Mount . . . . . 50.8 x 40.16 x 11.4 cm (20 x 16 x 4.5 in)  
 Weight  
 Rackmount without Battery . . . . . 8.6 kg (19 lbs)  
 Rackmount with Battery . . . . . 11.4 kg (25 lbs)  
 Wall Mount without Battery . . . . . 3.5 kg (7.7 lbs)  
 Battery Weight (single) . . . . . 6.1 kg (13.5 lbs)  
 Housing for Rackmount  
 and Wall Mount. . . . . 16 gauge carbon steel  
 Operating Temperature . . . . . 0° to 50°C (32° to 122°F)  
 Heat Dissipation . . . . . 33 BTU/hr

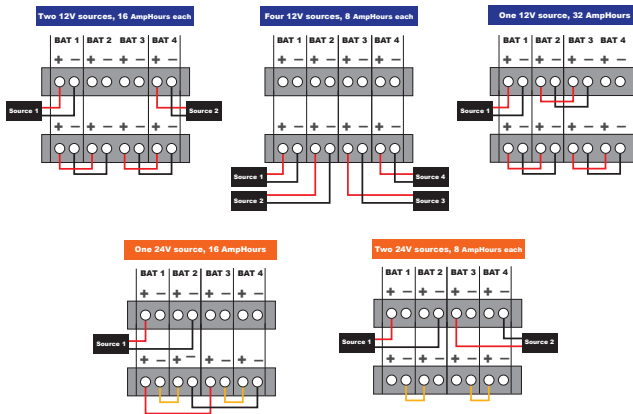
## Ordering Information

| Model Numbers | Description                                      |
|---------------|--|
| PSX-RBE       | PSX Power Solutions rackmount battery enclosure  |
| PSX-E2B       | PSX Power Solutions wall mount battery enclosure |

## Rack Mount Configuration Options

| Battery 1 | Battery 2 | Battery 3 | Battery 4 | Available Output | Available Output | Battery 1, 2 Configuration | Battery 3, 4 Configuration |
|-----------|-----------|-----------|-----------|------------------|------------------|----------------------------|----------------------------|
| 12V       |           |           |           | 12V@8Ah          |                  | NA                         |                            |
| 12V       | 12V       |           |           | 12V@16Ah         |                  | Parallel                   |                            |
| 12V       | 12V       |           |           | 24V@8Ah          |                  | Series                     |                            |
| 12V       | 12V       | 12V       |           | 12V@24Ah         |                  | Parallel                   |                            |
| 12V       | 12V       | 12V       |           | 12V@8Ah          | 24V@8Ah          | NA                         | Series                     |
| 12V       | 12V       | 12V       | 12V       | 12V@32Ah         |                  | Parallel                   |                            |
| 12V       | 12V       | 12V       | 12V       | 24V@16Ah         |                  | Series                     | Series                     |
|           |           |           |           |                  |                  | Parallel                   |                            |
| 12V       | 12V       | 12V       | 12V       | 12V@16Ah         | 24V@8Ah          | Parallel                   | Series                     |

## Rack mount Wiring Options (Unit holds up to 4 8Ah batteries)



## Related Products



C•CURE 9000



iSTAR Controllers



victor Unified Client



VideoEdge

## Approvals



[www.swhouse.com](http://www.swhouse.com)