

Features

- Quad stream support Dual H.264, MPEG-2, MPEG-4 and MJPEG
- 26x Optical Zoom/12x digital zoom
- Day/Night, Backlight Compensation, Wide Dynamic Range
- 400°/second Preset targeting
- 360° endless panning
- 256 presets/8 programmable cruises
- 8 alarm in/1 output
- Two-way audio
- 24 Privacy Masks
- Analog Output
- Optical output option



Description

The Siquira® HSD622 is an outdoor High Speed PTZ dome camera with exceptional imaging controls to provide excellent pictures even in the most difficult circumstances.

Multi-stream / Multi-codec

The versatile HSD622 can simultaneously stream H.264, dual MPEG-4, and MJPEG. Each stream is optimized for its specific purpose. The H.264 implementation uses dedicated hardware to improve video quality while lowering bandwidth requirements.

Open Streaming Architecture (OSA)

The HSD622 complies with worldwide approved standards for streaming video and is tested with different vendors, making third-party integration easy. Its OSA offers standardized streaming video and remote control. The HSD622 also supports the unique Siquira® MX™ protocol.

High-Speed Dome

This high-speed PTZ dome has a 26x autofocus zoom lens and 12x digital zoom. The lens can move in almost any direction offering a view without missing any details. Precise 400° per second pan and tilt drive technology offers almost instant preset positioning.

Day/Night, Backlight Compensation and Wide Dynamic Range

The HSD622 provides automatic day/night functionality, for use in low light situations. Backlight compensation enhances image visibility in difficult lighting conditions. Wide dynamic range solves the problem of overlit images by combining the better of two pictures with different light references.

Complete System

The HSD622 combines streaming video with duplex audio and I/O contacts over IP and balanced audio inputs/outputs suitable for all industrial audio systems. With its analog output, the hybrid HSD622 solution can provide local video for a public view monitor or local DVR.

Fiber Interface Accessory

A fiber option is available for direct connection of fiber to the dome via a flexible SFP interface. The XSNet™ range of SFP modules, with options for both single mode and multimode are available. The SFP interface is built into the dome itself so a wide range of mounting options are available.

Ordering Information

Model	Description
Siquira HSD622 /N	IP high-speed PTZ Dome Camera, IP66, including sunshield
Siquira HSD622 /P	IP high-speed PTZ Dome Camera, IP66, including sunshield

HSD622

Technical specifications

IP PTZ dome with day/night, SFP interface (outdoor)

Camera

Image sensor	1/4" CCD	
Optical zoom	26x	
Digital zoom	12x	
Resolution	NTSC	PAL
Effective pixels	380k	440k
Horizontal resolution	540 TVL	540 TVL
D1	720x480	720x576
½D1	352x480	352x576
2CIF	720x240	720x288
CIF	352x240	352x288
QCIF	176x120	176x144
Electronic shutter	1~1/10 k s	
Video output	1.0 Vpp/75Ω, RJ-45, SPF	
S/N ratio	>50 dB (AGC off)	
Minimum illumination	0.09 lux, 0.01 lux (B/W)	
Focal length	3.5~91mm	
Focus mode	Auto/ manual	
White balance	Auto/ manual	
Iris control	Auto/ manual	
AGC control	Auto/ manual	
Backlight compensation	On/ Off	

Audio

Two-way audio	Line out, Line in/microphone in (jack Ø3.5 mm)
---------------	--

Functions

Motion detection	On/ Off
Day/ Night (IR-cut filter)	On/ Off
Digital slow shutter	On/ Off
Wide Dynamic Range	On/ Off
Privacy masks	24
PTZ coordinate data	Via API or Pelco-D (set/get)
Directional OSD	Compass direction, Azimuth, Elevation

Contact Closures

Inputs	8
Outputs	1
Reactions	Preset, Sequence, Auto pan, Cruise

Network

Interface options	RJ-45 (factory Installed) or SFP Cage (accessory Included); SFP modules not included
Protocol	H.264 BP, MPEG-4 ES, MPEG-2, RTP, UDP, IP, DHCP, IGMPv2, RTSP, (S)NTP, MX/IP, HTTP, SNMP v2, DiffServ, SAP, UPnP

Mechanical

Dimension (h x w x d)	Ø190 x 302.5 mm (Ø7.5 x 11.9 in.)
Weight	2.6 kg (5.7 lbs.)
Color	RAL-9003 (Signal White)

Materials

Housing	Aluminum
Sun shield	ABS/Polycarbonate blend
Bubble	Optically Clear Polycarbonate
Impact rating	IK10

Video

Number of video streams	2x H.264, 2x MPEG-4, MPEG-2, and/or MJPEG
Frame rate	1 to 30 fps
Compression algorithm	H.264 BP (ISO/IEC 14496-10), MPEG-4 SP Layer 5 (ISO/IEC 14496-2), MPEG-2 (ISO/IEC 13818-2), MJPEG
Type of streaming	UDP/IP (multicast and/or unicast)
Number of output streams	Up to 20
Video Motion Detection	Yes (user-defined masking)
Encoding latency	<130 ms typ
GOP structure	I, IP (selectable/user profiles)
Quad streaming	D1@30fps H.264 + D1@30fps MPEG-4 + CIF@1fps MJPEG
Output data rate	up to 20 Mb/s (CBR or VBR selectable/user profiles)
Video settings	User profiles, contrast, brightness, color saturation, hue, sharpness
Video overlay	3x Text lines (configurable: position, color, border/outline color, font size), 1x image in BMP, GIF, or JPEG format (configurable: position, scaling)

Pan/Tilt

Pan travel	360° continuous
Tilt travel	-10° ~ 190°
Preset speed	400°/s
Manual speed	0.5° ~ 90°/s
Presets	256 presets
Preset accuracy	+/- 0.100°
Cruise	8
Sequence	8
Auto pan	4
Proportional pan and tilt	On/ Off
Resume after power loss	Yes
Zone title	16
Home function	Preset, Sequence, Auto pan, Cruise
Auto flip	Digital/ Mechanical/ Off

Environmental

Operating temperature	Continuous -45° C to +50° C (-49° F to +122° F), 60° C maximum
Ingress protection	IP66

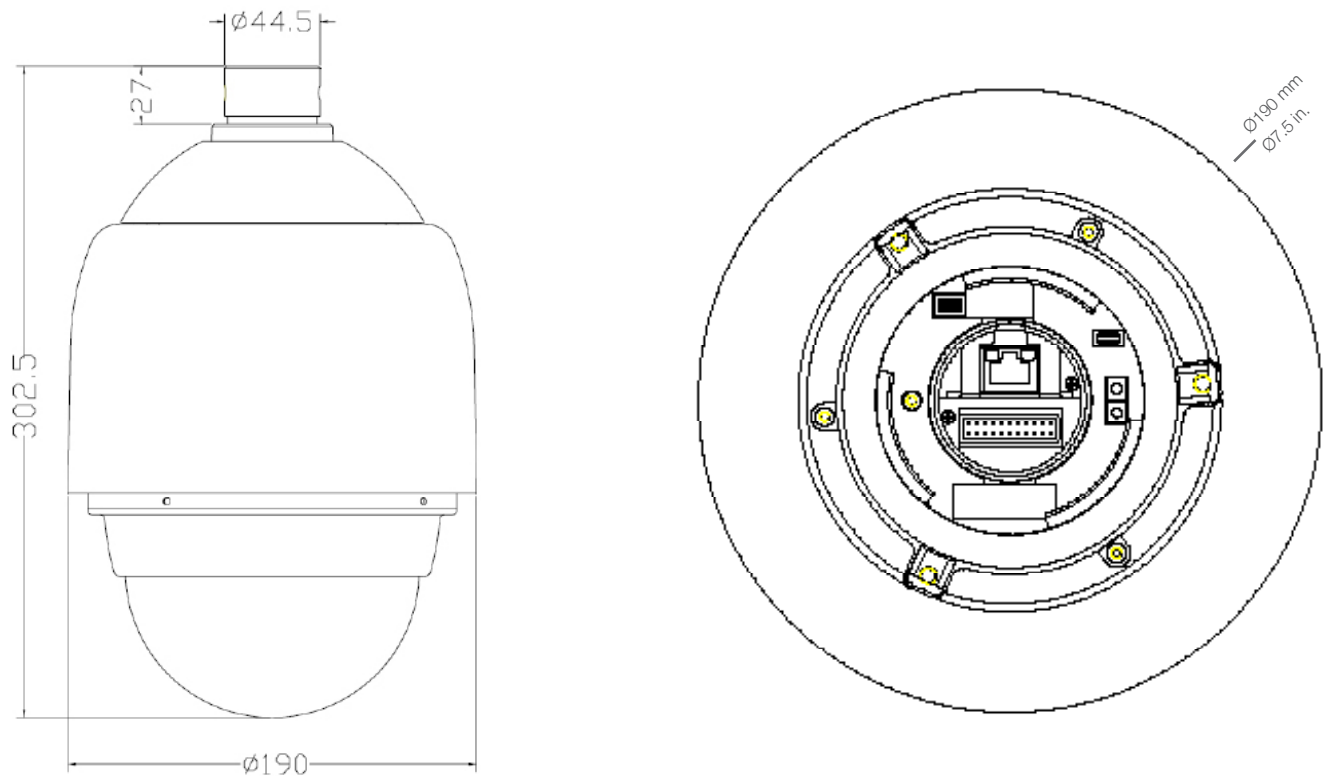
Powering

Power consumption	73W
Power	19.2 - 28.4 VAC (24VAC nominal +/- 20%)



The quality management system utilized in the development, production, sales and support of this product is ISO 9001:2008 certified by LRQA.

© Optelecom-NKF Version: January 2011 V1 (First Edition) – Subject to modification



Ordering Information Accessories

Model	Description
PA03 /EU	Power Supply, 230 VAC to 24VAC, Tinned Leads, 3.0A, Outdoor (IP66)
PA03 /US	Power Supply, 110 VAC to 24VAC, Tinned Leads, 3.0A, Outdoor (IP66)
WM01A	Mini wall mount for HD-series
WM02S*	Tube adapter for outdoor MD/MSD/HD/HSD series PTZ cameras
WM03A	Gooseneck tube
WM05	Corner plate, compatible with WM01A and WM03A
WM06	Wall box mounting, compatible with WM01A and WM03A
PM01	Pole thin direct mounting, compatible with WM01A and WM03A
PM02	Pole wide direct mounting, compatible with WM01A and WM03A
PM03	Pole thin box mounting, compatible with WM01A and WM03A
PM04	Pole wide box mounting, compatible with WM01A and WM03A
PM05	Swanneck tube
PTM01	1-1/2" pipe thread adapter
XSNet SFP MM/850	2-fiber multimode SFP (100/1000Base-FX)
XSNet SFP MM/1310	2-fiber multimode SFP (100 Mb only)
XSNet SFP SM/10	Single-mode SFP, dual-LC connector
XSNet SFP SM/BidiA	One fiber, single-mode SFP, SC connector
XSNet SFP SM/BidiB	One fiber, single-mode SFP, SC connector
XSNet SFP SM/60	Long distance single-mode SFP, dual-LC
XSNet SFP SM/CWDM	Coarse WDM SFP, dual LC connector
MFM	Multifunction Monitor

*WM02S is included with each outdoor MD/MSD/HD/HSD camera



The quality management system utilized in the development, production, sales and support of this product is ISO 9001:2008 certified by LRQA.

© Optelecom-NKF Version: January 2011 V1 (First Edition) – Subject to modification