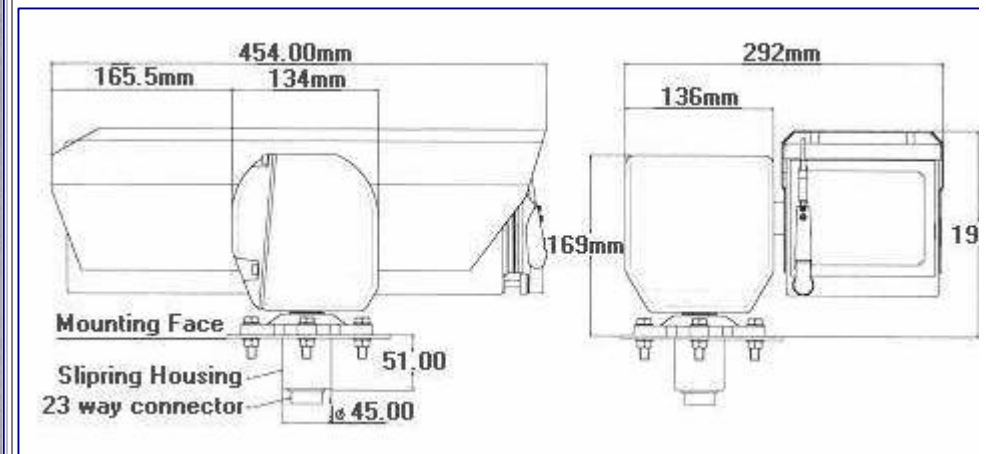
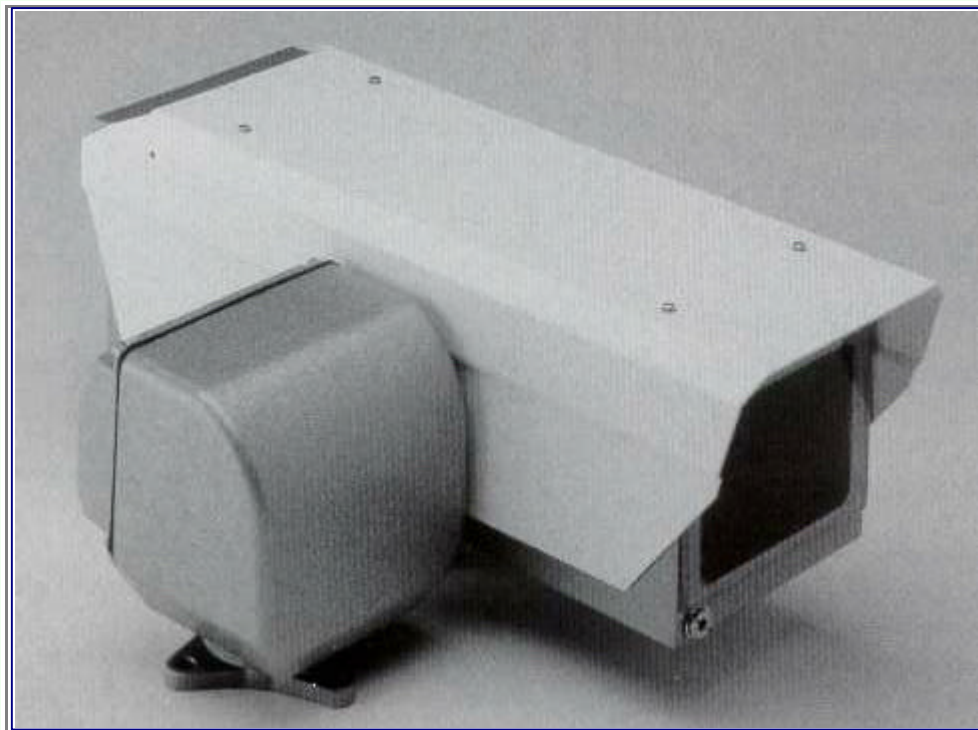


[ [Up](#) ] [ [Prince PT 165](#) ] [ [PT 165 Integral Housing](#) ] [ [Earl PT 565](#) ] [ [Baron PT 365](#) ] [ [Duke PT 461](#) ]

## PRINCE PT 165 INTEGRAL HOUSING



The **Shawley** Prince PT 165 is a unique light duty indoor or outdoor pan and tilt head. Styled on the same lines as the range leading [PT 565](#), unlike other small pan and tilt heads, this unit offers **all** the features of its big brother in a smaller package. Available with integral no wire housing or integral wireless continuous rotation.

FEATURE	PT 165 DC	PT 165 AC
<b>Construction</b>	Die-cast aluminium	Die-cast aluminium
<b>Weatherproof</b>	To IP66 (equal to heavy seas)	To IP66 (equal to heavy seas)
<b>Sealing</b>	Double edge lipseals on shafts and gasket between lid and body	Double edge lipseals on shafts and gasket between lid and body
<b>Gearing</b>	All steel precision gear train with stainless steel shafts	All steel precision gear train with stainless steel shafts
<b>Pan Speed</b>	0-45° per second	8.5° per second std.
<b>Tilt Speed</b>	0-15° per second	2.5° per second std.
<b>Backlash</b>	Better than 0.20°	Better than 0.20°
<b>Overrun</b>	Nil	Nil
<b>Pan Angle</b>	360°	360°
<b>Tilt Angle</b>	±180° (side mount only)	±180° (side mount only)
<b>Limit Adjustment</b>	Internal fingers	Internal fingers
<b>Mounting Details</b>	4 holes 8.7mm diameter on 101.6mm (4") PCD	4 holes 8.7mm diameter on 101.6mm (4") PCD
<b>Weight</b>	5.5 kg	5.5 kg
<b>Power Consumption</b>	Max 6W @ full voltage per motor	6.45 vA per motor
<b>Operating Temperatures</b>	-20°C to +50°C	-20°C to +50°C
<b>Carrying Capacity</b>	7kg (balanced load)	7kg (balanced load)
<b>Recommended Brackets</b>	WB4	WB4

- Maximum carrying capacity of 7 kg in side mount configuration (balanced load)
- IP66 weatherproof standard approval
- Precision ballbearings ensure the unit remains square on both axes
- Stainless steel shafts and fittings eliminate corrosion
- Internal limit adjustment gives resilience to extreme weather conditions
- Limit adjustment can be made with a full load in place
- All metal gear transmission
- Low backlash for stability in high winds
- AC synchronous motors
- DC version provides high and variable speed performance
- Full two-year warranty (one year for units with continuous rotation/continuous tour)
- Operating voltages from 12vDC to 240vAC
- Standard presets
- Continuous rotation
- Continuous rotation with presets
- Colour options to specification

[ [Up](#) ] [ [Prince PT 165](#) ] [ [PT 165 Integral Housing](#) ] [ [Earl PT 565](#) ] [ [Baron PT 365](#) ] [ [Duke PT 461](#) ]

email [Shawley Webmaster](#) with questions or comments about this site.