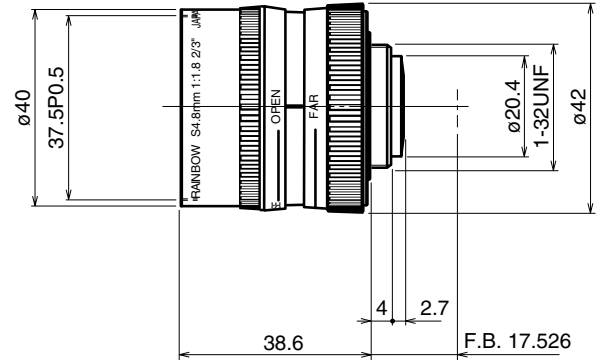


S4.8 1.8

Focal Length:	4.8mm
Max. Relative Aperture:	1:1.8
Iris:	F1.8~Close
Angular Field of View:	2/3": 85.0° × 69.0° 1/2": 67.4° × 53.1° 1/3": 53.1° × 41.1° 1/4": 27.0° × 6.2°
Min. Object Distance (M.O.D.):	0.2m (From Front Vertex)
Optical Back Focal Distance:	10.86mm (In Air)
Operation:	Focus: Manual Iris: Manual
Operation Temperature:	-10 ~ +50°C (+14 ~ 122° F)
Filter Size:	37.5mm P0.5
Size, Approx. Weight:	ø42.0 × 38.6mm, 70g (Approx. ø1.7 × 1.6in., 2.5oz.)

4.8mm F1.8 – C-Mount

Compatible with 2/3", 1/2", 1/3" & 1/4" Cameras

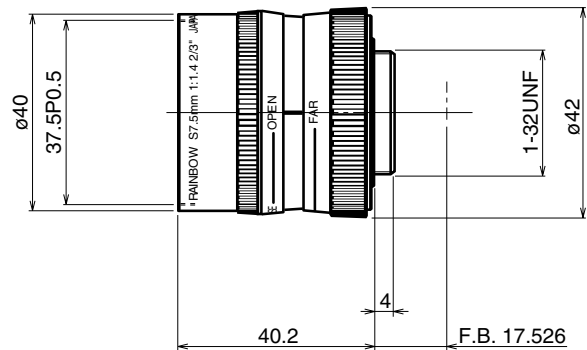


S7.5 1.4

Focal Length:	7.5mm
Max. Relative Aperture:	1:1.4
Iris:	F1.4~Close
Angular Field of View:	2/3": 60.8° × 47.5° 1/2": 46.2° × 35.5° 1/3": 35.5° × 27.0° 1/4": 27.0° × 6.2°
Min. Object Distance (M.O.D.):	0.2m (From Front Vertex)
Optical Back Focal Distance:	14.04mm (In Air)
Operation:	Focus: Manual Iris: Manual
Operation Temperature:	-10 ~ +50°C (+14 ~ 122° F)
Filter Size:	37.5mm P0.5
Size, Approx. Weight:	ø42.0 × 40.2mm, 70g (Approx. ø1.7 × 1.6in., 2.5oz.)

7.5mm F1.4 – C-Mount

Compatible with 2/3", 1/2", 1/3" & 1/4" Cameras



S16 1.4

Focal Length:	16mm
Max. Relative Aperture:	1:1.4
Iris:	F1.4~Close
Angular Field of View:	2/3": 30.8° × 23.3° 1/2": 22.6° × 17.1° 1/3": 17.1° × 12.9° 1/4": 12.9° × 6.2°
Min. Object Distance (M.O.D.):	0.4m (From Front Vertex)
Optical Back Focal Distance:	14.20mm (In Air)
Operation:	Focus: Manual Iris: Manual
Operation Temperature:	-10 ~ +50°C (+14 ~ 122° F)
Filter Size:	37.5mm P0.5
Size, Approx. Weight:	ø42.0 × 40.2mm, 60g (Approx. ø1.7 × 1.6in., 2.1oz.)

16mm F1.4 – C-Mount

Compatible with 2/3", 1/2", 1/3" & 1/4" Cameras

