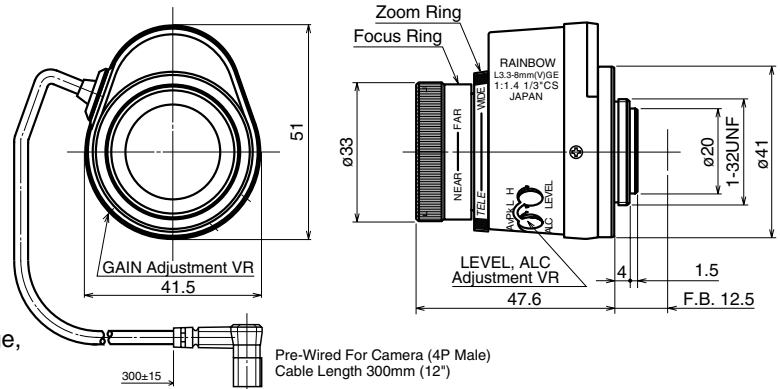


L338VGECS

3.3~8mm F1.4 – CS-Mount

Compatible with 1/3" & 1/4" Cameras
Pre-wired with 4-pin connector

Focal Length: 3.3~8mm
Max. Relative Aperture: 1:1.4
Iris: F1.4~Approx. F360
 With ND Spot Filter
Angular Field of View:
 1/3": 80.2° × 59.7° at 3.5mm
 35.5° × 26.8° at 8mm
 1/4": 59.7° × 44.5° at 3.5mm
 26.8° × 19.1° at 8mm
Min. Object Distance (M.O.D.): 0.2m (From Front Vertex)
Optical Back Focal Distance: 8.58mm (In Air)
Operation: Zoom: Manual
 Focus: Manual
 Iris: Auto (DC+8.5~16V: Fixed Voltage, Max. 40mA) Auto-Close System Speed Within 4 sec.
Auto-Iris Accuracy: With Input Video Signal 0.7Vp-p Within ±10% of Mean Value
Auto-Iris Input Signal: Composite Video Signal or Video Signal
Input Impedance: High Impedance
Sensitivity Adjustment: Image Signal Level 0.5~1.5Vp-p
Operation Temperature: -10 ~ +50°C (+14 ~ 122° F)
Filter Size: None
Mount: CS-Mount (Adjustable Lens Position)
Size, Approx. Weight: 41.5 × 51 × 47.6mm (w/h/d), 65g (Approx. 1.6 × 2.0 × 1.9in., 2.3oz.)



Camera Connector Wiring		For cameras with standard wiring for Video type lenses (Rainbow, Panasonic, Sanyo, Sony, etc.) Note: Some brands (incl. Everfocus, Javelin, Watec) use the same 4-pin connector with non-standard wiring. To avoid camera damage, compare wiring instructions in camera box to this diagram.										
	<table border="1"> <thead> <tr> <th>Pin</th> <th>Signal</th> </tr> </thead> <tbody> <tr> <td>1</td> <td>+8-16VDC</td> </tr> <tr> <td>2</td> <td>N.C.</td> </tr> <tr> <td>3</td> <td>Video</td> </tr> <tr> <td>4</td> <td>Ground</td> </tr> </tbody> </table>		Pin	Signal	1	+8-16VDC	2	N.C.	3	Video	4	Ground
Pin	Signal											
1	+8-16VDC											
2	N.C.											
3	Video											
4	Ground											

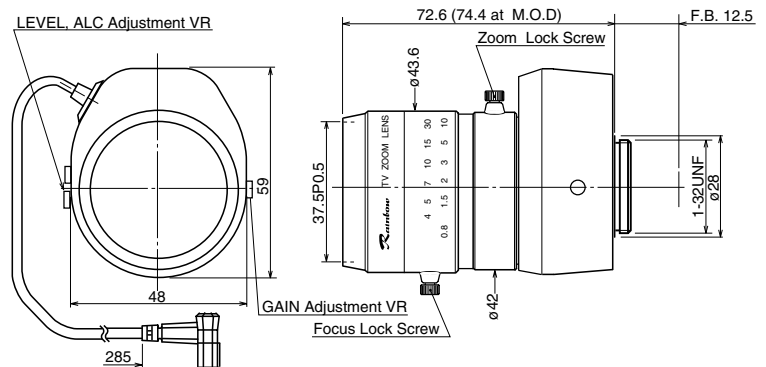
VIDEO TYPE LENS

L639VGECS

6.5~39mm F1.4 – CS-Mount

Compatible with 1/3" & 1/4" Cameras
Pre-wired with 4-pin connector

Focal Length: 6.5~39mm
Max. Relative Aperture: 1:1.4
Iris: F1.4~Approx. F360
 With ND Spot Filter
Angular Field of View:
 1/3": 40.5° × 31.0° at 6.5mm
 7.0° × 5.3° at 39mm
 1/4": 31.0° × 23.5° at 6.5mm
 5.3° × 4.0° at 39mm
Min. Object Distance (M.O.D.): 0.8m (From Front Vertex)
Optical Back Focal Distance: 11.85mm (In Air)
Operation: Zoom: Manual
 Focus: Manual
 Iris: Auto (DC+8.5~16V: Fixed Voltage, Max. 40mA) Auto-Close System Speed Within 4 sec.
Auto-Iris Accuracy: With Input Video Signal 0.7Vp-p Within ±10% of Mean Value
Auto-Iris Input Signal: Composite Video Signal or Video Signal
Input Impedance: High Impedance
Sensitivity Adjustment: Image Signal Level 0.5~1.5Vp-p
Operation Temperature: -10 ~ +50°C (+14 ~ 122° F)
Filter Size: 37.5mm P0.5
Mount: CS-Mount (Adjustable Lens Position)
Size, Approx. Weight: 48 × 59 × 74.4mm (w/h/d) 140g (Approx. 1.9 × 2.3 × 2.9in., 5.5oz.)



Camera Connector Wiring		For cameras with standard wiring for Video type lenses (Rainbow, Panasonic, Sanyo, Sony, etc.) Note: Some brands (incl. Everfocus, Javelin, Watec) use the same 4-pin connector with non-standard wiring. To avoid camera damage, compare wiring instructions in camera box to this diagram.										
	<table border="1"> <thead> <tr> <th>Pin</th> <th>Signal</th> </tr> </thead> <tbody> <tr> <td>1</td> <td>+8-16VDC</td> </tr> <tr> <td>2</td> <td>N.C.</td> </tr> <tr> <td>3</td> <td>Video</td> </tr> <tr> <td>4</td> <td>Ground</td> </tr> </tbody> </table>		Pin	Signal	1	+8-16VDC	2	N.C.	3	Video	4	Ground
Pin	Signal											
1	+8-16VDC											
2	N.C.											
3	Video											
4	Ground											

VIDEO TYPE LENS