

Camclosure® IS Series Rugged Mini Dome

IS150 SERIES IN-CEILING, WDR, DAY/NIGHT, HIGH RESOLUTION

Product Features

- Fully-Integrated Enclosure with Camera and Lens
- Rugged, High-Impact, Vandal-Resistant, Puncture-Proof Domes; Tamper-Resistant Hardware
- 4 Camera Options:
 - Day/Night Wide Dynamic Range (WDR): Pixel-Based Imager for Accurate Color Representation, Progressive Scan
 - Day/Night High Resolution: 540 TVL
 - Wide Dynamic Range (WDR): Pixel-Based Imager for Accurate Color Representation, Progressive Scan
 - High Resolution Color: 540 TVL
- Varifocal Lens Options: 3.0-9.5 mm, 9.0-22.0 mm
- Includes Both Composite and Unshielded Twisted Pair (UTP) Outputs
- Easy to Install; Camera Module Easy to Adjust and Remove
- Meets NEMA Type 4X and IP66 Standards
- All Cameras Feature Digital Signal Processing



IS150 SERIES DOME

- 12 VDC or 24 VAC Operation, Autosensing
- Available with Smoked or Clear Bubble
- Includes Service Connector for Video Output

Camera Modules

The **IS150 Series Camclosure® Integrated Camera System** offers a large selection of camera and lens options. Available camera modules include:

- **Day/night wide dynamic range (WDR) and wide dynamic range:** Pelco's WDR uses a pixel-based imager that adjusts for lighting by pixel. Traditional CCD cameras adjust the entire image for lighting conditions that appear in a small portion of the image or lighting conditions that are not extreme. Different lighting problems occur at night; car headlights and parking lot lights are good examples of problematic video images. Use Pelco's Day/Night WDR where you need the camera to adjust from extreme lighting to low light conditions.
- **Day/night high resolution (540 TVL) color camera with auto iris, varifocal lens:** Application examples include environments that require monochrome images at night and color images during the day.
- **High resolution (540 TVL) color camera with auto iris, varifocal lens:** Application examples include all general-purpose environments.

Enclosure Module

The **IS150 Series Camclosure Integrated Camera System** combines a camera and lens package into a small, high-security enclosure for medium-security installations subject to vandalism. The in-ceiling dome is designed for suspended ceiling or recessed ceiling/wall installations. An adapter plate is supplied with the dome to mount the unit to a 4S electrical box or to provide additional support for suspended ceiling installations.

The lower dome of the **IS150 Series** is available with either a clear or a smoked bubble. Models with a clear bubble include a liner for discreet viewing. Domes may be purchased without the camera module for pre-installation or for camera bicycling.



TECHNICAL SPECIFICATIONS

GENERAL

Construction	Aluminum with steel camera mounting bracket and polycarbonate dome
Finish	White polyester powder coat trim ring with charcoal gray back box
Light Attenuation	
Smoked	f/1.5 light loss
Clear	Zero light loss
Unit Weight	1.70 lb (0.77 kg)
Shipping Weight	3.0 lb (1.36 kg)

ELECTRICAL

Input Voltage*	12 VDC or 24 VAC ($\pm 10\%$), autosensing
Synchronization	Internal or AC line lock
Power Consumption	
Camera	<3 W (DW/CW models) <4 W (DN/CH models)
Heaters	10 W when active; thermostatically controlled

MECHANICAL

Pan/Tilt Adjustment	Manual
Pan	360°
Tilt	80° (20° to 100° range)
Rotation	360°

VIDEO

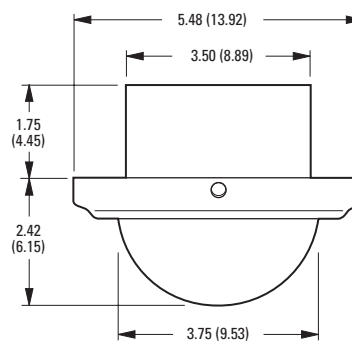
Signal System	NTSC or PAL
Video Output	
Composite	1 Vp-p, 75 ohms
UTP	1 Vp-p, 100 ohms
Video Connectors	1 composite BNC and 1 UTP
Service Connector	3-conductor, 2.5 mm connector for video output to optional IS-SC cable

ENVIRONMENTAL

Environment	Low temperature, indoor/outdoor
Operating Temperature	-50° to 122°F (-46° to 50°C); de-ices to 25°F (-4°C)
Thermostat Operation	Heater is thermostatically controlled to activate ON at 50°F (10°C) and OFF at 80°F (27°C)

CERTIFICATIONS/RATINGS/PATENTS

- CE, Class B
- FCC, Class B
- UL/cUL Listed
- C-Tick
- GOST
- Meets NEMA Type 4X and IP66 safety standards
- Meets NEC requirements for use in environmental air handling spaces
- IEC 60068-2-27 Shock Certified
- IEC 60068-2-30 Humidity Certified
- IEC 60068-2-6 Vibration Certified
- ISTA Shipping Standard
- U.S. Patents D476,025; 6,715,939 B2; 6,805,498 B2



NOTE: VALUES IN PARENTHESES ARE CENTIMETERS; ALL OTHERS ARE INCHES.

*24 VAC power is recommended when installing any Camclosure Integrated Camera System under fluorescent lighting conditions.

TECHNICAL SPECIFICATIONS

CAMERA SPECIFICATIONS

	Day/Night Wide Dynamic Range Varifocal, Auto Iris (DW Series)	Day/Night High Resolution Varifocal, Auto Iris (DN Series)	Wide Dynamic Range Varifocal, Auto Iris (CW Series)	High Resolution Varifocal, Auto Iris (CH Series)
Imaging Device	1/3-inch pixel based imager	1/3-inch interline color CCD	1/3-inch pixel based imager	1/3-inch interline color CCD
Picture Elements	720 (H) x 540 (V)	NTSC: 768 (H) x 494 (V) PAL: 752 (H) x 582 (V)	720 (H) x 540 (V)	NTSC: 768 (H) x 494 (V) PAL: 752 (H) x 582 (V)
Dynamic Range (DW/CW only)	102 dB typical 120 dB maximum	—	102 dB typical 120 dB maximum	—
Scanning System	2:1 interlace/ progressive (DIP switch)	2:1 interlace	2:1 interlace/ progressive (DIP switch)	2:1 interlace
Horizontal Resolution	NTSC: 504 TV lines PAL: 504 TV lines	NTSC: 540 TV lines PAL: 540 TV lines	NTSC: 504 TV lines PAL: 504 TV lines	NTSC: 540 TV lines PAL: 540 TV lines
Signal-to-Noise Ratio	>53 dB	>50 dB	>53 dB	>50 dB
Minimum Illumination	Color (day): 0.8 lux SENS 8X: 0.2 lux B-W (night): 0.08 lux SENS 8X: 0.02 lux (f/1.0, 40 IRE, AGC on, 75% scene reflectance, 3.0-9.5 mm lens)	Color (day): 0.15 lux B-W (night): 0.015 lux (f/1.0, 40 IRE, AGC on, 75% scene reflectance, 3.0-9.5 mm lens)	Color (day): 0.8 lux SENS 8X: 0.2 lux (f/1.0, 40 IRE, AGC on, 75% scene reflectance, 3.0-9.5 mm lens)	0.3 lux (f/1.0, 40 IRE, AGC on, 75% scene reflectance, 3.0-9.5 mm lens)
Day/Night Operation				
Day	Infrared (IR) cut filter	Infrared (IR) cut filter and optical low pass filter	—	—
Night	No filter	Optical low pass filter	—	—
Filter Switch Threshold	Dusk 4 lux Dark 1 lux	0.15 lux	—	—
Gain Control	Auto (36 dB maximum)	Auto/Manual (DIP switch)	Auto (36 dB maximum)	Auto/Manual (DIP switch)
Exposure	Auto (1/15-1/22,000)	Auto (1/60-1/100,000)	Auto (1/15-1/22,000)	Auto (1/60-1/100,000)
White Balance	Auto or manual (DIP switch), 2800°K-7500°K	Auto or manual (DIP switch), 2500°K-9500°K	Auto or manual (DIP switch), 2800°K-7500°K	Auto or manual (DIP switch), 2500°K-9500°K
Backlight Compensation	Auto	ON/OFF (DIP switch)	Auto	ON/OFF (DIP switch)

LENS SPECIFICATIONS

Series	Varifocal With Auto Iris			
	DW/CW Series		DN/CH Series	
Focal Length	3.0-9.5 mm	9.0-22.0 mm	3.0-9.5 mm	9.0-22.0 mm
Format Size	1/3-inch	1/3-inch	1/3-inch	1/3-inch
F-Number (f)	1.0-1.7	1.5-3.0	1.0-1.7	1.5-3.0
Operation				
Iris	Auto	Auto	Auto	Auto
Focus	Manual	Manual	Manual	Manual
Zoom	Manual	Manual	Manual	Manual
Angle of View*				
Horizontal	100.4° to 31.6°	32.4° to 13.6°	95.0° to 30.2°	30.6° to 13.0°
Diagonal	131.6° to 39.6°	41.4° to 17.2°	123.6° to 37.6°	39.2° to 16.4°
Vertical	72.8° to 23.8°	23.8° to 10.2°	69.0° to 22.6°	22.6° to 9.8°

*Focal length specifications presume a 10% horizontal and 4% vertical monitor overscan.

SYSTEM MODELS AND ACCESSORIES

MODEL NUMBERS

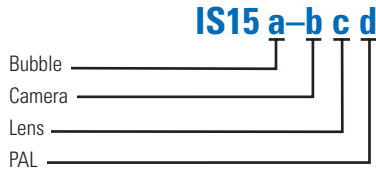
Dome Only

- IS150-ENC IS150 Series in-ceiling mount enclosure (no camera/lens)
- IS150-LD IS150 Series smoked bubble
- IS151-LD IS150 Series clear bubble with liner

When ordering an IS150 Series in-ceiling mount dome with no camera or lens, please order 1 enclosure and 1 bubble.

System Numbers

Use this table to create a model number to specify your IS150 Series Camclosure. Note the additional information in the table below for NTSC/PAL options. For example, IS151-DNV9X is the model number for a PAL version color day/night high resolution camera with a clear bubble and a 3.0-9.5 mm varifocal lens. For information, contact your Pelco sales representative.



Bubble (a)	Camera (b)	Lens (c)	PAL (d)
0 Smoked	DW Color Day/Night Wide Dynamic Range	V9 Varifocal, 3.0-9.5 mm, Auto Iris	DN and CH cameras only: X PAL
1 Clear with Black Liner	DN Color Day/Night High Resolution CW Color Wide Dynamic Range CH Color High Resolution	V22 Varifocal, 9.0-22.0 mm, Auto Iris	Do not use for NTSC

RECOMMENDED POWER SUPPLIES

- TF2000 Power supply for one 24 VAC camera, 20 VA
- MCS Series Multiple 24 VAC camera power supply, indoor
- MCS*E Series Multiple 24 VAC camera power supply, indoor
- WCS Series Single/multiple 24 VAC camera power supply, outdoor

OPTIONAL ACCESSORIES

- ICS150-P 2 x 2 ft (61 x 61 cm) metal ceiling panel for IS150 Series in-ceiling dome
- IS-SC 4-foot service/monitor cable; compatible with any standard monitor BNC connector



Pelco, Inc. Worldwide Headquarters:
 3500 Pelco Way, Clovis, California 93612-5699 USA
USA & Canada Tel: (800) 289-9100 • FAX: (800) 289-9150
International Tel: +1 (559) 292-1981 • FAX: +1 (559) 348-1120
www.pelco.com

Pelco, the Pelco logo, and Camclosure are registered trademarks of Pelco, Inc.
 Product specifications and availability subject to change without notice.
 ©Copyright 2008, Pelco, Inc. All rights reserved.