


**Technical Support**
 01273 811011

[support@paxton.co.uk](mailto:support@paxton.co.uk)

Technical help is available: Monday - Friday from 07:00 - 19:00 (GMT)  
Saturday from 09:00 - 13:00 (GMT)

Documentation on all Paxton Access products can be found on our website - <http://www.paxton.co.uk/>

**Suitability**

With Net2 and Switch2 ACU's



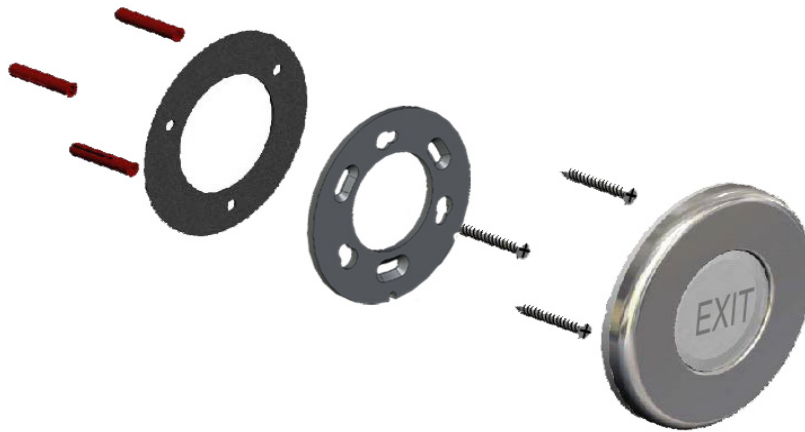
Wet environments



With compact systems



Mounted on metal surface

**Fitting**

Fix the backplate to the wall with the stainless steel screws provided in the fitting kit. The small slot in the plate edge should be positioned at the bottom.

Where the unit is to be fitted to a smooth surface, bulkhead, etc. a gasket is supplied to provide a weatherproof seal between the backplate and the mounting surface. (The unit has its own integral seal)

Locate the unit in the keyhole slots provided in the backplate. Make sure that the locking pin is close to the slot in the edge of the backplate. Rotate the unit clockwise until the locking pin engages in the slot.



To remove the unit, insert a small screwdriver into the cut out provided and use it to lift the locking pin. The unit can then be rotated anticlockwise to release it from the backplate.

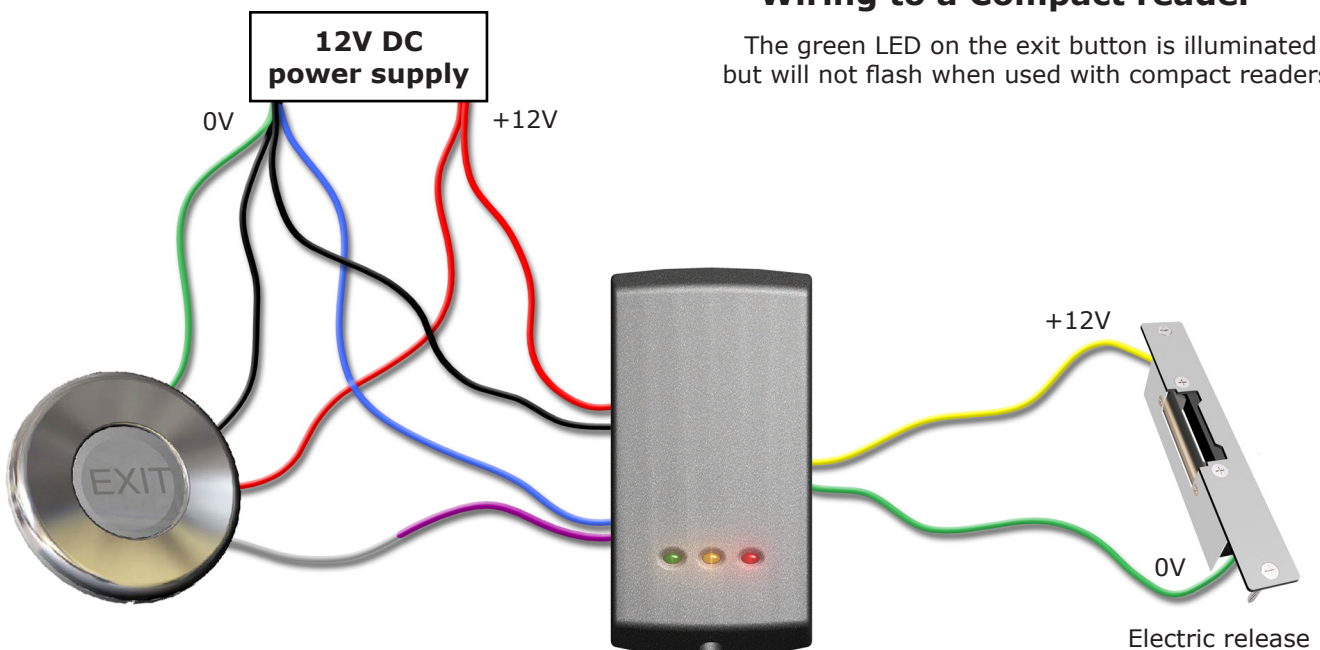
## Wiring



This unit uses solid state electronics to switch 0V to the Exit 0V output and therefore cannot be used with circuits that require voltage free contacts.

## Wiring to a Compact reader

The green LED on the exit button is illuminated but will not flash when used with compact readers.



## Specifications

Environment	Min	Max	
Operating temperature	-25 °C	+55 °C	
Outdoor Use			No
Cable length			5 metres
Electrical	Min	Max	
Voltage	8V DC	14V DC	
Current		130 mA	
Dimensions	Diameter	Depth	
	106 mm	16 mm	

THIS UNIT IS FOR INTERNAL USE ONLY.


This Exit button unit is designed to complement the PROXIMITY Marine reader. It has no moving parts and is waterproof to IPX7.

The use of capacitive sensing to determine the presence of a user's finger does, however, make it unsuitable for external use. The reason for this is that heavy rainfall / snow / etc. could activate the exit button in error.



The declaration of conformity is available on request. Contact details are provided at: <http://paxton.info/596>

### Technical Support


 01273 811011


 [support@paxton.co.uk](mailto:support@paxton.co.uk)


Technical help is available: Monday - Friday from 07:00 - 19:00 (GMT)  
Saturday from 09:00 - 13:00 (GMT)


Documentation on all Paxton Access products can be found on our website - <http://www.paxton.co.uk/>

### Suitability

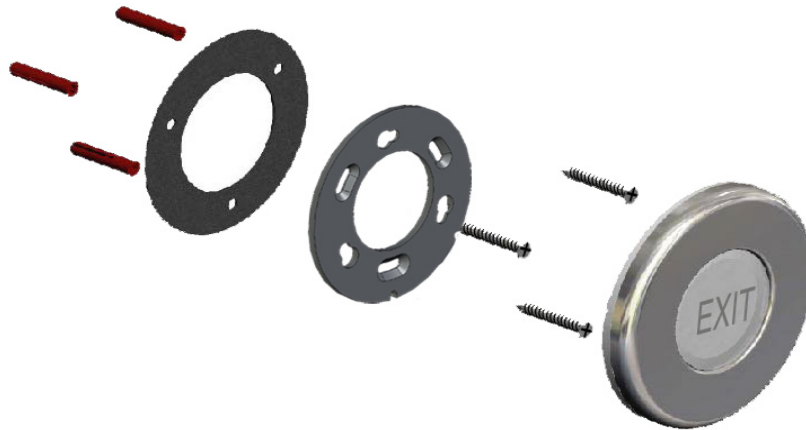
With Net2 and Switch2 ACU's 

Wet environments 

With compact systems 

Mounted on metal surface 

### Fitting



Fix the backplate to the wall with the stainless steel screws provided in the fitting kit. The small slot in the plate edge should be positioned at the bottom.

Where the unit is to be fitted to a smooth surface, bulkhead, etc. a gasket is supplied to provide a weatherproof seal between the backplate and the mounting surface. (The unit has its own integral seal)

Locate the unit in the keyhole slots provided in the backplate. Make sure that the locking pin is close to the slot in the edge of the backplate. Rotate the unit clockwise until the locking pin engages in the slot.



To remove the unit, insert a small screwdriver into the cut out provided and use it to lift the locking pin. The unit can then be rotated anticlockwise to release it from the backplate.

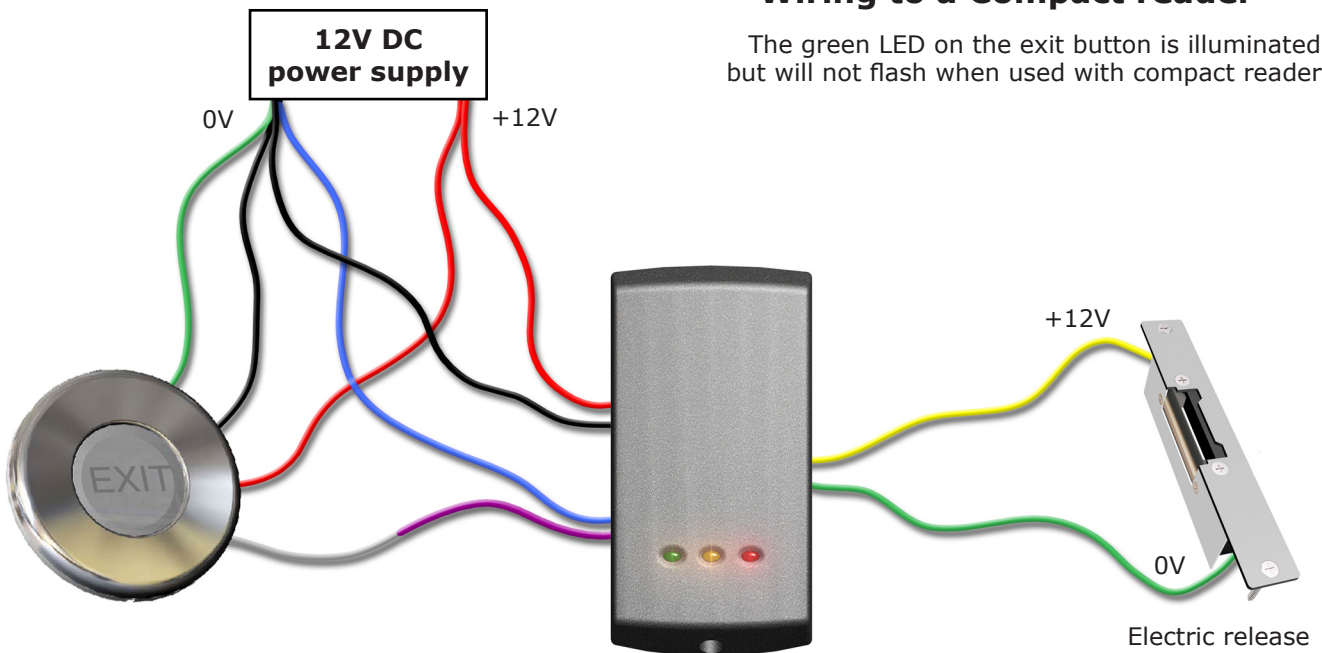
## Wiring



This unit uses solid state electronics to switch 0V to the Exit 0V output and therefore cannot be used with circuits that require voltage free contacts.

## Wiring to a Compact reader

The green LED on the exit button is illuminated but will not flash when used with compact readers.



## Specifications

Environment	Min	Max	
Operating temperature	-25 °C	+55 °C	
Outdoor Use			No
Cable length			5 metres
Electrical	Min	Max	
Voltage	8V DC	14V DC	
Current		130 mA	
Dimensions	Diameter	Depth	
	106 mm	16 mm	

THIS UNIT IS FOR INTERNAL USE ONLY.

This Exit button unit is designed to complement the PROXIMITY Marine reader. It has no moving parts and is waterproof to IPX7.

The use of capacitive sensing to determine the presence of a user's finger does, however, make it unsuitable for external use. The reason for this is that heavy rainfall / snow / etc. could activate the exit button in error.



The declaration of conformity is available on request. Contact details are provided at: <http://paxton.info/596>