

PROXIMITY Marine Reader

System specifications

| | | |
|---------------------------------|---|----------------------------------|
| Cable Length | 5m/16ft | |
| Cable extension length and type | ≤ 25m/82ft | Belden 9538/ Belden 5506FE (USA) |
| | ≤ 100m/328ft | Belden 9540/ Belden 5306FE (USA) |
| Token compatibility | Paxton, EM HID® Prox (activation required) | |
| Handsfree compatible | Yes | |
| Wiegand | Yes (Max 50 bits) | |
| Versions | Satin or bright chrome | |

Electrical

| | |
|---------------------|--------------|
| Operating Voltage | 10V - 14V DC |
| Current consumption | 220mA |

Environment

| | |
|-----------------------|---------------------------------|
| Operating temperature | -35°C - +70°C -31°F - +158°F |
| Moisture resistance | IPX7 |
| Vandal Resistance | Medium |

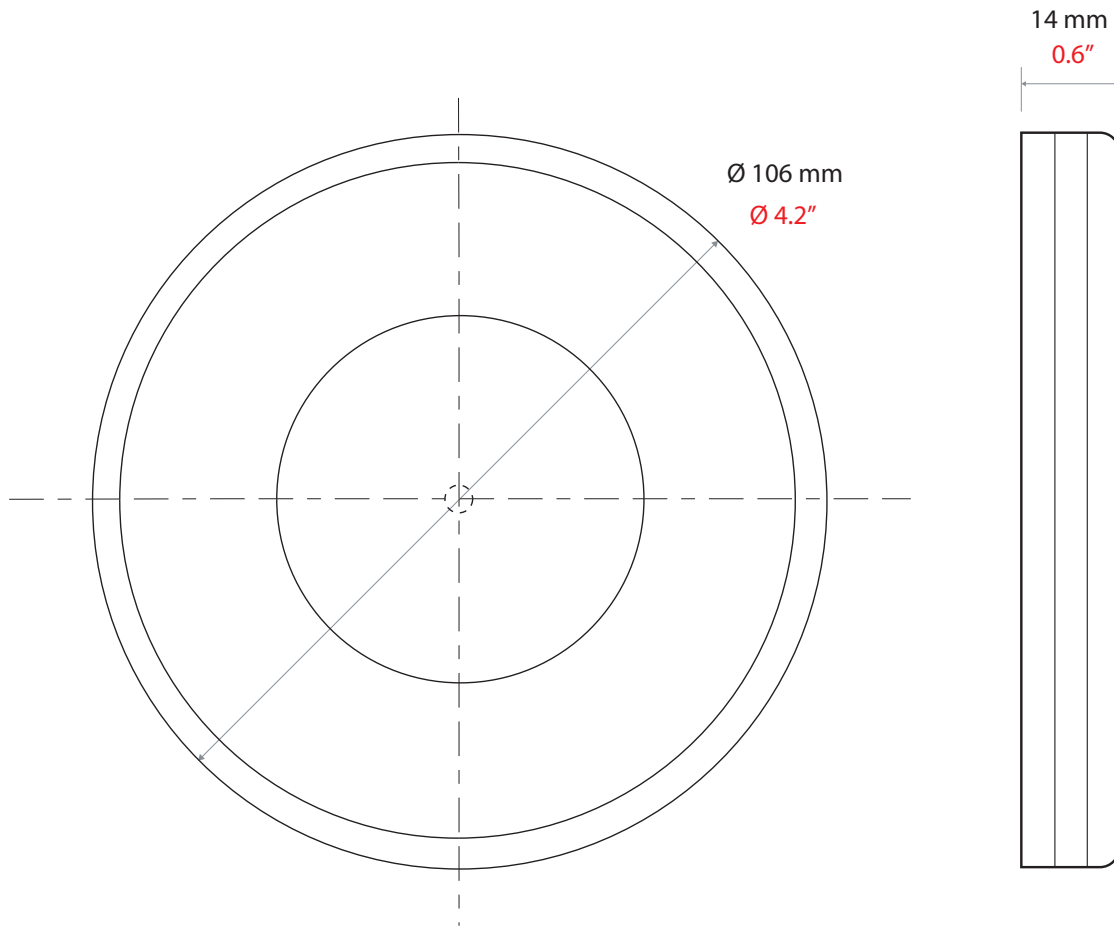


The proximity marine readers are RFID devices that offer the convenience of contactless authentication for system users.

They are available for use with both Switch2 and Net2 systems. The reader is wired as shown on the control unit label.

A token is read by holding it within close proximity of the reader. Once a token has been read the control unit looks up the access permissions of that user. The control unit verifies the information and grants or denies access as appropriate.

By default, all the reader emits a soft blue glow. If access is granted, the reader flashes Green. If access is denied, the reader flashes Red. An audible tone is emitted in both cases.



Accessories and sales codes

PROXIMITY Marine Reader 500-010