

# Paxton10 Mini-Dome Camera - CORE series

Paxton10

## Overview

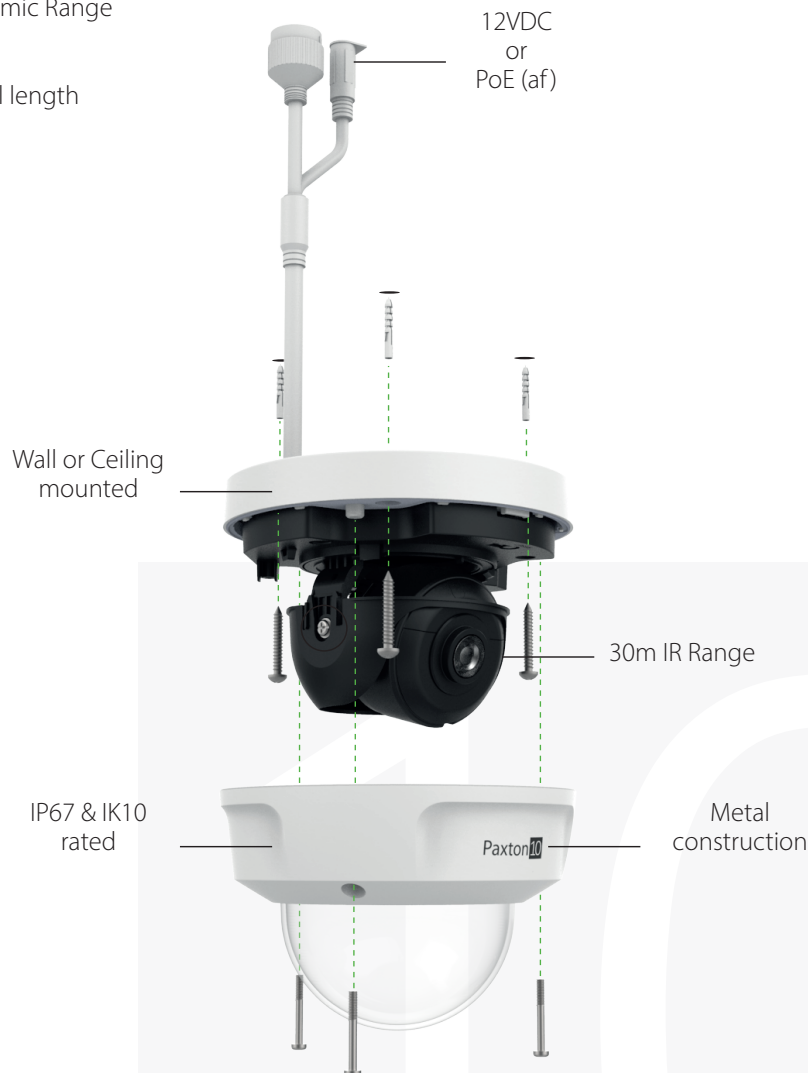
The Paxton10 camera range is designed specifically to work with the Paxton10 system. As such they offer the most simple, secure and flexible installation possible. No NVR or other hardware is required as video is processed on the camera and can be stored either on the pre-installed 64GB SD card or sent directly to any network location.

The Paxton10 core camera range features stunning low light performance, inbuilt IR, QHD resolution and intelligent motion. All cameras come with Paxton's 5 Year no quibble warranty.



## Features

- 4MP ultra-low light sensor capable of high-resolution recording (2560 x 1440)
- 64GB high performance SD card
- IP67 and IK10 rating
- Mountable on either Wall or Ceiling
- Intelligent motion detection
- Compact size
- All metal construction
- 30m IR range
- 120dB Wide Dynamic Range
- 12VDC or PoE (af)
- 0.003 lux @ F1.4
- Fixed 2.8mm focal length





## System

### Video Streams - Main - Defaults

#### High

Resolution	2560 x 1440
Frames per second	20fps
Max bit rate	4096Kbps

#### Medium

Resolution	1080p
Frames per second	20fps
Max bit rate	3072kbps

#### Low

Resolution	720p
Frames per second	15fps
Max bit rate	2048kbps

#### Substream

Resolution	360p
Frames per second	10fps
Max bit rate	512kbps
Video compression	H264
Day/Night mode	Auto



## Electrical

Power consumption	12VDC @ 0.4 A, max 5 W PoE: Max 6.5 W
Operating voltage	12v DC ±25% PoE 802.3af



## Communication

ONVIF	No
RTSP	No
IP	Yes



## Hardware

Dimensions (W x H x D)	Ø 121.4mm x 92.2mm
Weight	580g
SD Card	256GB Max (64GB included)
Video format	PAL/NTSC
Image Sensor	1/3" Progressive Scan CMOS
Focal Length	2.8mm
Aperture	F1.4
FOV	Horizontal field of view: 103° Vertical field of view: 55°

3-Axis Adjustment (manual)	Diagonal field of view: 123° Pan: 0 to 355°, tilt: 0 to 75°, rotation: 0 to 355°
Material	Body: Metal Dome: Plastic
Warranty	Paxton 5 year
<b>SD Card specs (included)</b>	
Storage Capacity	64GB
Read speed	95MB/s
Write speed	24 MB/s
Class	Class 10, U1
Warranty	1 year
<b>Recommended SD Card specs</b>	
Storage Capacity	256GB (Maximum supported)
Card type	Micro SDXC
Class	UHS Class 1
Memory type	MLC (Multi-Level cell)



## Environment

Operating temperature	-30°C to +60°C
IP Rating	IP67
IK Rating	IK10
Mounting	Wall or ceiling