



High Performance & A Wide Range of Features

Panasonic introduces the WV-CS570 Series colour dome cameras. A compact 110mm, all-in-one unit contains both a 22x optical zoom lens and a pan/tilt rotating chassis.

510 lines of horizontal resolution (at High Position) deliver colour images of outstanding quality. Ultra sensitive, this camera also operates in light as low as 1 lux. Superb basic features capture subjects with definitive clarity. With continuous 360° horizontal rotation and 180° vertical pan, this camera provides coverage across a wide area. It can be preset for up to 32 positions and shift sequentially from one preset position to another at max. 300°/second, while the Image Hold feature prevents image blurring during rapid rotation.

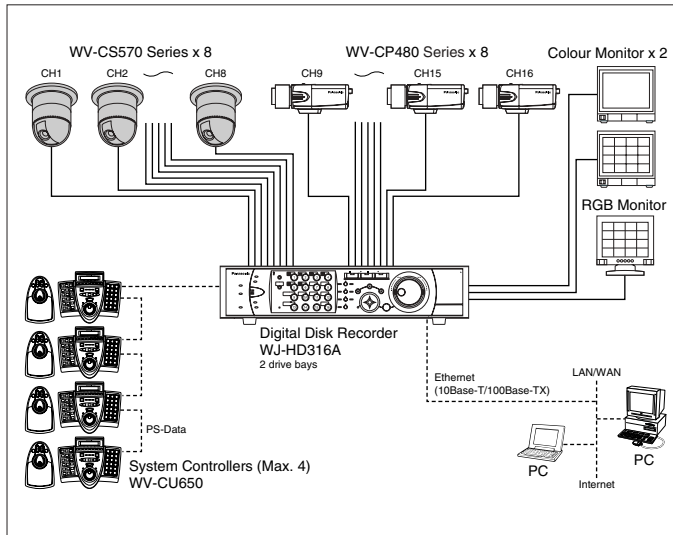
Privacy Zone Masking blocks scenes that should not be displayed. Patrol Learning remembers and repeats manual camera controls. Digital Motion Detection automatically senses movement in the image. These and other advanced features make surveillance simple.

Combining high performance and versatile features, the WV-CS570 Series provides reliable colour surveillance in a broad range of applications.

KEY FEATURES

- Compact 110mm diameter dome all-in-one colour unit.
- 510-line of horizontal resolution (at High position).
- Digital-FLIP by memory read out allows automatic 180-degree turn.
- Minimum illumination of, 1 lux at colour imaging (Sens up off: AGC High)
- Privacy zone masking function.
- Linear 32x electronic sensitivity enhancement function.
- Digital motion detector.
- Patrol Learn function.
- Auto panning function with 32 preset positions.
- 360° panning and speed of max. 300°/s at preset mode.
- Image hold function during panning.
- 22x optical zoom lens (3.79 - 83.4mm at F1.6) plus 10x electronic digital zoom for total zoom capacity of 220x.
- Auto focus lens.
- Multiplex-coaxial or RS-485 data communication.
- Four (4) alarm inputs and two (2) outputs terminals.
- 16 alphanumeric character display.
- Internal/Line-lock/Multiplexed Vertical Drive (VD2) synchronization.
- Optional smoked and mirror dome covers, ceiling and wall mounts brackets are available for various applications.

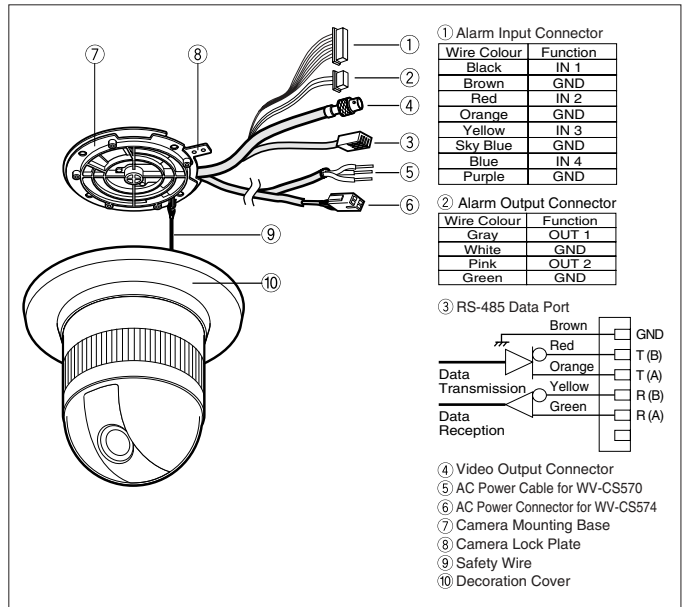
SYSTEM EXAMPLE



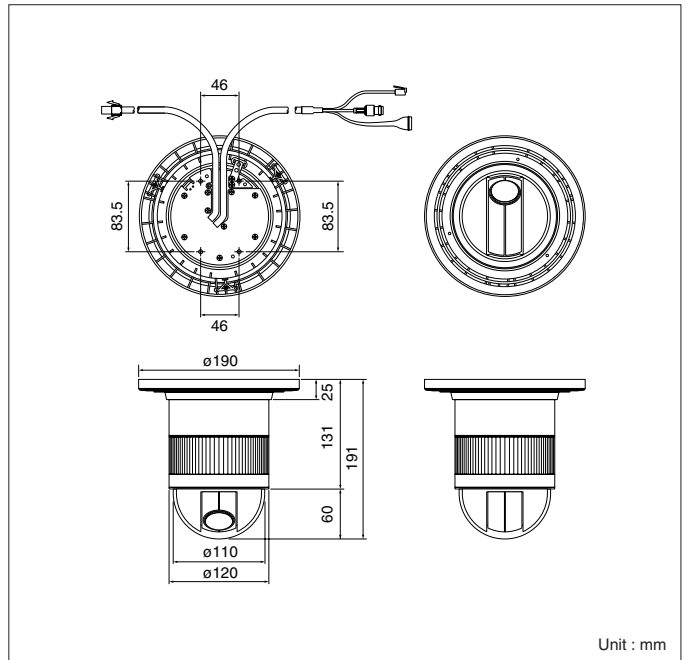
SPECIFICATIONS PAL

Model No.	WV-CS570	WV-CS574
Effective Pixels	752 (H) x 582 (V)	
Scanning Area	3.65 mm (H) x 2.71 mm (V), 1/4-type CCD	
Synchronization	Internal / Line-lock / Multiplexed Vertical Drive (VD2)	
Horizontal Scanning Frequency	15.625 kHz	
Vertical Scanning Frequency	50 Hz	
Video Output	1.0 V [p-p] PAL composite / 75 Ω	
Horizontal Resolution	510 lines at centre (Colour at High), 480 lines at centre (Colour at normal)	
Signal-to-Noise Ratio	50 dB (AGC OFF, weight on)	
Minimum Illumination	1 lux at colour imaging (Sens up off: AGC High)	
Zoom Speed	approx. 4.5 s (TELE / WIDE) in manual mode	
Focus Speed	approx. 5 s (FAR / NEAR) in manual mode	
Iris	automatic (open / close is possible) / manual	
Maximum Aperture Ratio	1:1.6 (WIDE) - 3.0 (TELE)	
Focal Length	3.79 - 83.4 mm	
Angular Field of View	H	2.6° - 52.3°
	V	2.0° - 39.9°
Electronic Shutter	1/50 (OFF), 1/120, 1/250, 1/500, 1/1,000, 1/2,000, 1/4,000, 1/10,000 s	
AGC	ON (LOW) / ON (MID) / ON (HIGH) / OFF	
Sens Up	MAX. 32 times, AUTO / FIX	
Zoom Ratio	x22 + digital zoom x10	
Iris Range	F1.6 - 22, CLOSE	
Auto Focus	MANUAL / AUTO	
Auto Mode	OFF / SEQ / SORT / AUTO PAN / PATROL	
Auto Pan Key	SEQ / SORT / AUTO PAN / PATROL PLAY	
Digital Flip	ON / OFF	
Image Hold	ON / OFF	
Camera ID	preset ID, camera ID, area title: up to 16 characters	
Motion Detector	ON / OFF	
Alarm IN	4 inputs (ALARM IN 1 - 4)	
Alarm OUT	2 outputs (ALARM / AUX1, B/W / AUX2)	
Privacy Zone	ON / OFF, up to 8 zones	
Proportional PAN / TILT	ON / OFF	
Patrol	LEARN / PLAY / STOP, up to 60 seconds	
Cleaning	ON / OFF	
Panning Range	360° endless	
Panning Angle Setting	possible (in auto-pan mode)	
Panning Mode	manual / sequential position / sort position / auto pan	
Panning Speed	manual: approx. 0.1°/s - 120°/s 8-step/64-step sequential position: maximum approx. 300°/s	
Tilting Range	-5° - 185°	
Tilting Mode	manual / sequential position / sort position	
Tilting Speed	manual: approx. 0.1°/s - 120°/s 8-step/64-step sequential position: maximum approx. 300°/s	
Controls	pan / tilt, lens, 32 preset positions, home position	
Controller Interface	Multiplex-coaxial / RS-485	
Power Source	220 V - 240 V AC, 50 Hz	24 V AC, 50 Hz
Power Consumption	15 W	13 W
Ambient Operating Temperature	-10 °C - +50 °C	
Dimensions	ø120 (D) x 191 (H) mm	
Weight	approx. 2 kg	






PRODUCT CONSTRUCTION



APPEARANCE



OPTIONAL ACCESSORIES

Smoke Cover WV-CS2S Mirror Cover WV-CS2M	Direct Ceiling Installation WV-Q105	Embedded Ceiling Installation WV-Q106	Suspended Ceiling Installation WV-Q117	Wall Installation WV-Q118
				

Important – Safety Precaution: carefully read the operating instructions and installation manual before using this product.

• Weights and dimensions are approximate. • Specifications are subject to change without notice. • These products may be subject to export control regulations.

DISTRIBUTED BY:

Panasonic

Panasonic is the brandname of Matsushita Electric.

Printed in Japan

WV-JKCS570T(2N-743)