

NetworX Solution 2000 Series

Microprocessor based
3x3 technology



OVERVIEW

The NetworX Solution 2000 Series glassbreak sensors are the most advanced in glassbreak detection the security industry has ever seen. The Solution 2000 Series uses patented microprocessor based 3x3 technology. With 3x3 technology, these detectors identify and qualify multiple groups of data from three specific frequency ranges to determine whether any of the sounds present match the signature of breaking glass.

With a maximum detection range of 20-25 feet, a low-profile design and the option of surface or flush mount, these detectors are great for either residential or commercial applications.

With the NetworX Solution 2000 Series, you can rest assured that you have the most reliable glassbreak detectors in the world.

STANDARD FEATURES

- 3x3 technology
- Microprocessor based
- Automatic adjustment
- Detects all glass types
- Power/Status LED
- Alarm memory LED
- Push button test mode
- Ceiling or wall mount
- UL listed

NetworX Solution 2000 Series

North America
T 855-286-8889

Asia
T 852-2907-8108

Australia
T 61-3-9239-1200

Europe
T 32-2-725-11-20

Latin America
T 561-998-6114

Microprocessor based 3x3 technology

Specifications

Technology	3x3 Technology (Patented)
Input voltage	10-14V AC/DC
Current	Alarm condition: 24mA Standby, w/o status LED: 32mA Standby, w/status LED: 36mA Standby, w/latched alarm and status LED: 38mA
Low voltage detect	6.40 Volt (400mV Hysteresis)
Relay contacts	100VDC, 10VA, 500mA
Sensitivity	Automatically adjusted
Operating temperature	32 to 120°F (0 to 49°C)

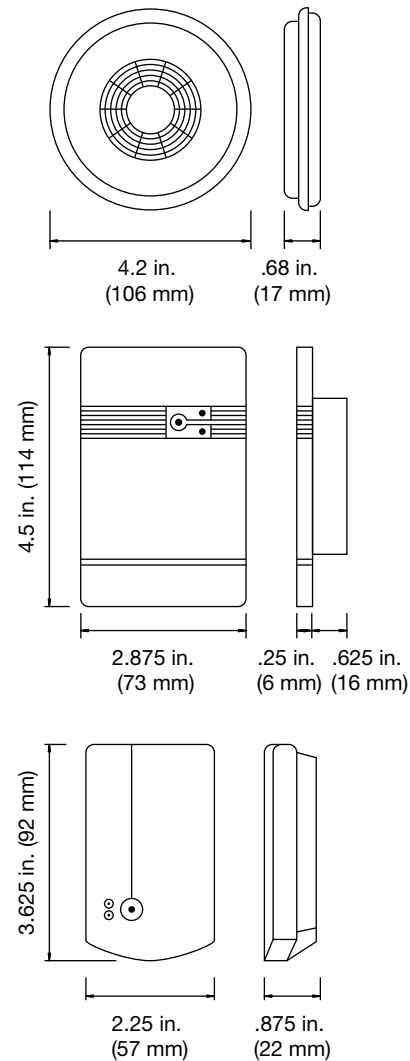
Maximum coverage

2000	25'
2100	20'
2200	20'

Ordering Information

2000	Maximum Detection Range of 25', Surface-mount, Visible LED
2100	Maximum Detection Range of 20', Surface-mount, Visible LED
2200	Maximum Detection Range of 20', Surface-mount, Visible LED

Dimensional Diagram



interlogix.com

Specifications subject to change without notice.

© 2013 Interlogix.

All rights reserved.

Interlogix is part of UTC Climate, Controls & Security,
a unit of United Technologies Corporation.

302-3634 2013/06 (73749)