

MOBOTIX S15M 6MP Hemispheric Camera



The S15M is a single-lens Hemispheric video device that mounts discreetly behind surface panels.

Technical specifications subject to change without notice

Sees Everything. Is Hard To See.

Never before has so much power and functionality been incorporated into such a tiny form factor. The camera features 6MP Hemispheric video technology for discreet integration into housings and devices, behind walls or ceiling panels.

Technical specifications subject to change without notice. For more information on the S15 and on the entire range of MOBOTIX products, such as prices, manuals, video management software for computers and iOS devices, etc., please go to www.mobotix.com > **Products**. Or contact us by phone (+49 06302 9816-103) or email (sales@mobotix.com).



Hemispheric Video

Capturing a super-wide 180° field of view, the S15M captures everything wall-to-wall. The Hemispheric image correction is handled by the camera, no additional software required.



Door Station

The optional AudioMount turns the S15M into an IP Video Door Station. The built-in speaker and microphone integrates with the S15 VoIP functionality, allowing 2-way communication.



Discreet

The compact design allows for installation into small spaces and cavities. When flush-mounted behind a wall or ceiling panel, only the camera's lens is visible.

Technical Data

Technical Data			
Lens Options	B016 (L10)	Min. Light Sensitivity	Day Sensor: 0.1 lux at 1/60 sec Night Sensor: 0.02 lux at 1/60 sec
Image Sensors	1/1.8" CMOS (6MP) Day (Color) or Night (B&W)	Sensor Resolution	6MP: 3072×2048 pixels (Color/B&W)
Max. Frame Rate (MxPEG)	MEGA/HD: 30 fps, QXGA: 15 fps, 6MP: 8 fps	Compression	MxPEG, M-JPEG, JPEG, H.264 (SIP video only)
DVR Recording	Internal: microSD Card External: PC/NAS (to 4 TB)	Audio	2-way VoIP available with AudioMount or external microphone & SpeakerMount
Operating Conditions	IP66, IK06, -30 to +60 °C	Internal Sensors	Temperature, illumination, shock detector
Image Processing	MxActivitySensor, VMD, image correction, backlight, MxAnalytics	Software (free of charge)	MxManagementCenter, MOBOTIX App



S15M – Technical Specifications



Security-Vision-Systems **MOBOTIX**

Camera Variants	S15M Day	S15M Night
Lenses, Sensors		
Fisheye Lens MX-B016 (Hemispheric, 180° x 180°)	MX-S15-D016	MX-S15-N016
Ultra Wide Lens MX-B036 (103° x 77°)	–	–
Super Wide Lens MX-B041 (90° x 67°)	–	–
Wide Lens MX-B061 (60° x 45°)	–	–
Standard Lens MX-B079 (45° x 34°)	–	–
Tele Lens MX-B119 (31° x 23°)	–	–
Distant Tele Lens MX-B237 (15° x 11°)	–	–
Super Tele Lens MX-B500 (8° x 6°)	–	–
CS-Varioobjektiv MX-B045-100-CS (39°-89° x 29°-65°)	–	–
Camera Module (body), lens can be ordered separately	–	–
Image sensor with individual exposure zones	Color	B/W
Sensor sensitivity in lux at 1/60 s / 1 s	0,1/0,005	0,02/0,001

Hardware Functions		
Protection class	IP66 and IK06	IP66 and IK06
Ambient temperature (range)	-30 to 60°C/-22 to 140°F	-30 to 60°C/-22 to 140°F
Temporary internal DVR	•	•
Internal DVR, ex works	4 GB (microSD)	4 GB (microSD)
Microphone/speaker	With accessory (e.g., AudioMount)	With accessory (e.g., AudioMount)
Passive infrared sensor (PIR)	–	–
Integrated temperature sensor	•	•
Shock detector	•	•
Power consumption (typical)	< 4,5 watts	< 4,5 watts
Variable PoE class (factory default: 3)	2 or 3	2 or 3
Interfaces Ethernet/MxBus/USB	•/•/•	•/•/•
Interfaces IO and RS232	With accessory (e.g., MX-232-IO-Box)	With accessory (e.g., MX-232-IO-Box)

Image Formats, Frame Rates, Image Storage		
Maximum image format (per sensor)	6MP (3072 x 2048)	6MP (3072 x 2048)
Maximum frame rate (MxPEG, max. resolution)	8 fps (6MP)	8 fps (6MP)
CIF images with 4 GB MicroSD DVR	250,000	250,000
VGA images with 4 GB MicroSD DVR	125,000	125,000
HD images with 4 GB MicroSD DVR	40,000	40,000
QXGA images with 4 GB MicroSD DVR	20,000	20,000



S15M – Technical Specifications



Security-Vision-Systems **MOBOTIX**

Camera Variants	S15M Day	S15M Night
Allgemeine Funktionen		
Door station functionalities	•	•
Digital zoom (continuous) with panning	•	•
Codecs: Motion-JPEG/MxPEG/H.264 for SIP	•/•/•	•/•/•
Programmable exposure zones	•	•
Snapshot recording (pre/post-alarm images)	50	50
Terabyte ring buffer storage (internal/network)	•	•
Continuous recording with sound (0.2 to 30 fps)	•	•
Event recording with sound, only with accessory (e.g., AudioMount)	•	•
Time and event control/flexible event logic	•/•	•/•
Weekly schedules/holidays	•	•
Web functionality (FTP, email)	•	•
Playback/QuadView and MultiView	•/•	•/•
Bidirectional sound in browser, only with accessory (e.g., AudioMount)	•	•
Logo generator, animated	•	•
Master/Slave arming	•	•
Several scheduled privacy zones	•	•
Customized voice messages, only with accessory (e.g., AudioMount)	•	•
VoIP telephony (audio/video, alert), only with accessory (e.g., AudioMount)	•	•
Remote alarm notification (network message)	•	•
Signal inputs/outputs and RS232 via MxBus module	•	•
Programming interface (HTTP API)	•	•

Video Analysis		
Video motion detector	•	•
MxAnalytics	•	•
MxActivitySensor (incl. behavioral detection)	•	•

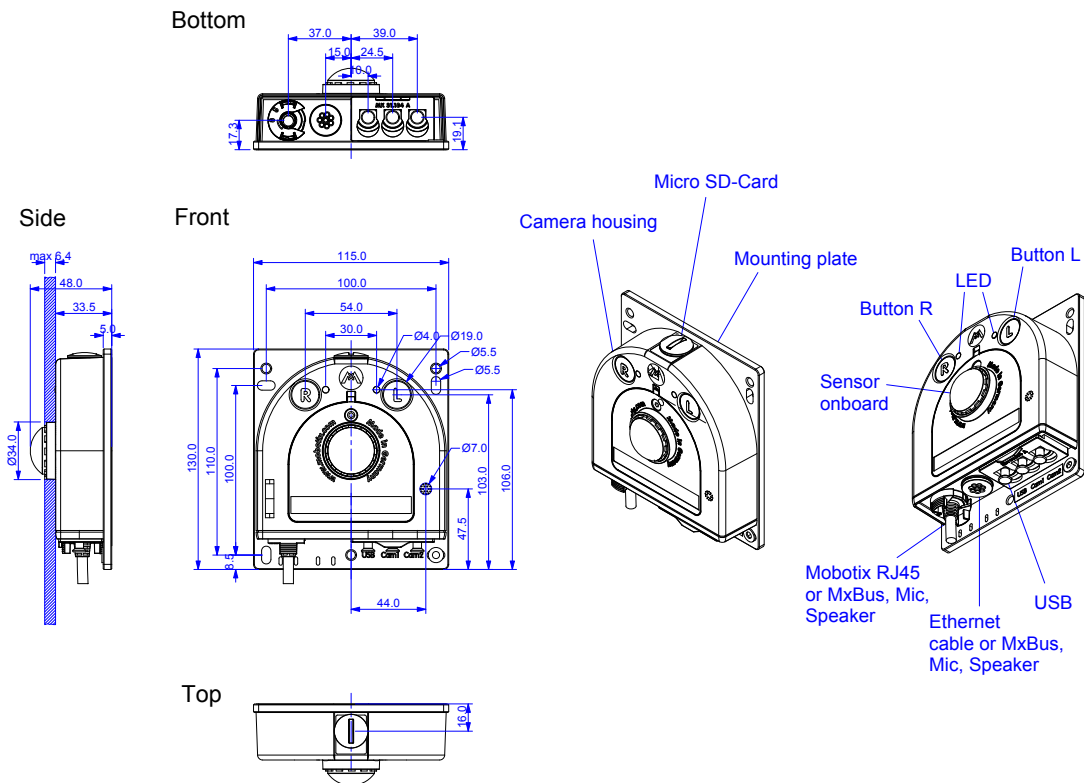
Video Management Software		
MxManagementCenter/MxControlCenter/MxEasy	•/•/•	•/•/•
MOBOTIX App (iOS)	•	•

- available ex works
- not available

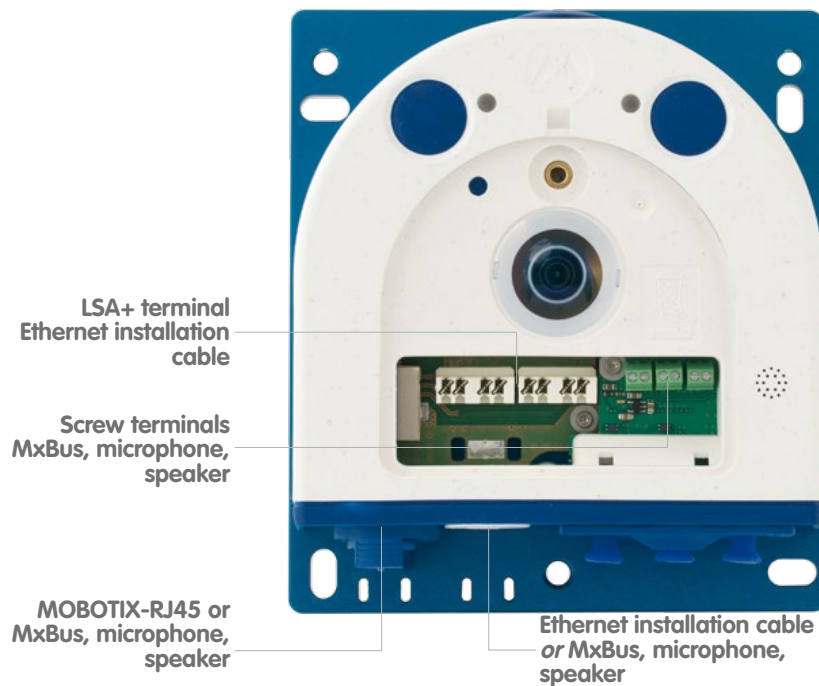
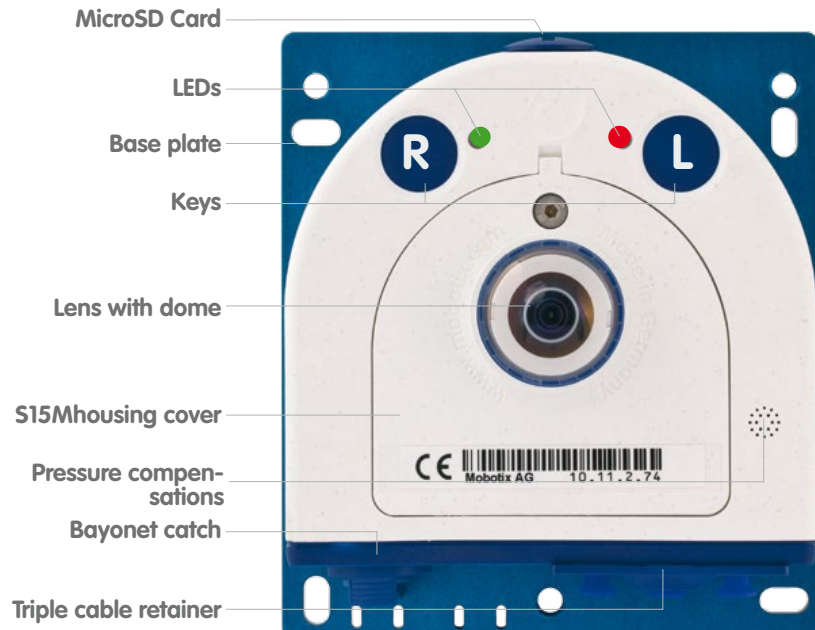
Delivered Parts S15M



(Excerpt from the technical documentation: www.mobotix.com > Support > Manuals)



(Excerpt from technical drawings and 3D views: www.mobotix.com > Support > Image Database)



(S15M – Camera housing and connectors, excerpt from the technical documentation)