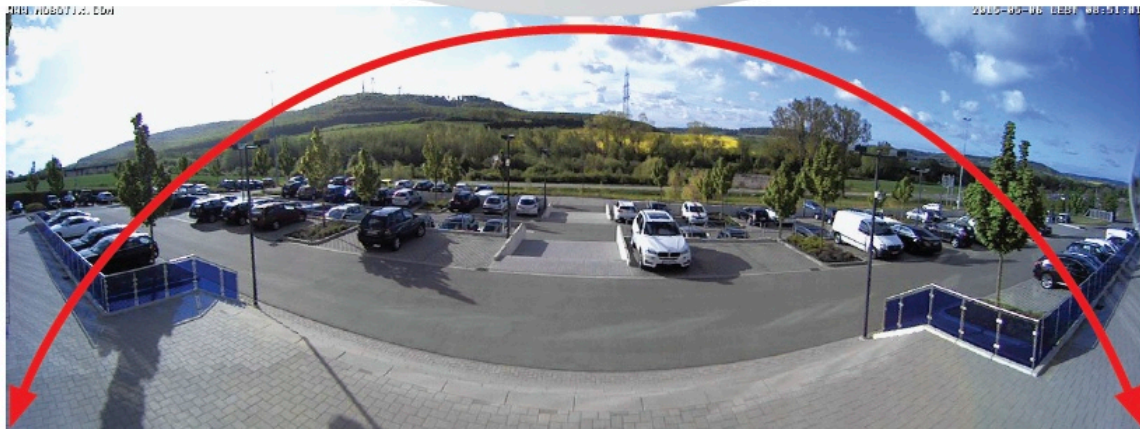


MOBOTIX Q25

6MP Hemispheric Camera



Wall-mounted Q25 captures 180° field of view – no blind spots.

Elegant. Allround Secure.

Setting a new benchmark in design, this all-in-one Hemispheric camera offers a super-wide 360° allround view, in high resolution. Easily replacing four standard CCTV cameras, just one Q25 captures an entire room. The Q25 is highly discreet and fits in everywhere – both indoors and outdoors.

Technical specifications subject to change without notice

Technical specifications subject to change without notice. For more information on the Q25 and on the entire range of MOBOTIX products, such as prices, manuals, video management software for computers and iOS devices, etc., please go to www.mobotix.com > **Products**. Or contact us by phone (+49 06302 9816-103) or email (sales@mobotix.com).



Fits In Everywhere

The Q25 can be flush-mounted into a wall or ceiling, and looks more like a mounted speaker than a security camera. The low-profile form factor fits in with every environment (pictured with in-ceiling mount set).

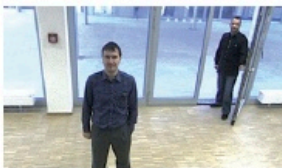


Image Correction Built-in

All of the image correction in the MOBOTIX Hemispheric cameras is handled by the camera's on-board imaging analysis software. No additional PC or software required.



Day Or Night Capture

Available in both Day (color) and Night (B&W) models, which cater to the most challenging lighting conditions and a wide range of applications.

Technical Data			
Lens Options	B016, B041 (L10, L22)	Min. Light Sensitivity	Day Sensor: 0.1 lux at 1/60 sec Night Sensor: 0.02 lux at 1/60 sec
Image Sensors	1/1.8" CMOS (6MP) Day (Color) or Night (B&W)	Sensor Resolution	6MP: 3072x2048 pixels (Color/B&W)
Max. Frame Rate (MxPEG)	MEGA/HD: 30 fps, QXGA: 15 fps, 6MP: 8 fps	Compression	MxPEG, M-JPEG, JPEG, H.264 (SIP video only)
DVR Recording	Internal: microSD Card External: PC/NAS (to 4 TB)	Audio	Integrated microphone & speaker, VoIP, intercom, sound recording
Operating Conditions	IP65, IK07, IP66/IK10 (with Vandalism Kit), -30 to +50 °C	Internal Sensors	Temperature, microphone, illumination, shock detector.
Image Processing	MxActivitySensor, VMD, image correction, backlight, MxAnalytics	Software (free of charge)	MxManagementCenter, MOBOTIX App

Q25 – The Perfect Overview

The Q25 provides a Hemispheric 360° allround view with just one lens. Only one camera is needed to view an entire room. Using the in-ceiling mount option, the Q25 can be flush-mounted into a ceiling so that it blends elegantly into the surroundings.

Unlike competitors, hemispheric distortion correction takes place in the MOBOTIX camera and not later on the computer. This drastically reduces the image data before it is transferred and saved. This "decentralized" MOBOTIX solution lowers the volume of network traffic and allows dozens of hemispheric cameras to be displayed on a computer or smartphone.



Q25 – Technical Specifications

Security-Vision-Systems **MOBOTIX**

Camera Variants	Q25 Day	Q25 Night
Lenses, Sensors		
Fisheye Lens MX-B016 (Hemispheric, 180° x 180°)	MX-Q25-D016 (white) MX-Q25-D016-b (black)	MX-Q25-N016 (white) MX-Q25-N016-b (black)
Ultra Wide Lens MX-B036 (103° x 77°)	–	–
Super Wide Lens MX-B041 (90° x 67°)	MX-Q25-D041 (white) MX-Q25-D041-b (black)	MX-Q25-N041 (white) MX-Q25-N041-b (black)
Wide Lens MX-B061 (60° x 45°)	–	–
Standard Lens MX-B079 (45° x 34°)	–	–
Tele Lens MX-B119 (31° x 23°)	–	–
Distant Tele Lens MX-B237 (15° x 11°)	–	–
Super Tele Lens MX-B500 (8° x 6°)	–	–
CS-Vario Lens MX-B045-100-CS (39°-89° x 29°-65°)	–	–
Image sensor with individual exposure zones	Color	B/W
Sensor sensitivity in lux at 1/60 s / 1 s	0,1/0,005	0,02/0,001

Hardware Functions		
Protection class With Vandalism Set Q2x (MOBOTIX accessory – see last page)	IP65 and IK07 IP66 and IK10	IP65 and IK07 IP66 and IK10
Ambient temperature (range)	-30 to 50°C/-22 to 122°F	-30 to 50°C/-22 to 122°F
Temporary internal DVR	64 MB	64 MB
Internal DVR, ex works	4 GB (microSD)	4 GB (microSD)
Microphone/speaker	•/•	•/•
Passive infrared sensor (PIR)	–	–
Integrated temperature sensor	•	•
Shock detector	•	•
Power consumption (typical)	< 4,5 watts	< 4,5 watts
Variable PoE class (factory default: 3)	2 or 3	2 or 3
Interfaces Ethernet/MxBus/USB	•/•/•	•/•/•
Interfaces IO and RS232	With accessory (MX-232-IO-Box)	With accessory (MX-232-IO-Box)

Image Formats, Frame Rates, Image Storage		
Maximum image format (per sensor)	6MP (3072 x 2048)	6MP (3072 x 2048)
Maximum frame rate (MxPEG, max. resolution)	8 fps (6MP)	8 fps (6MP)
CIF images with 4 GB MicroSD DVR	250,000	250,000
VGA images with 4 GB MicroSD DVR	125,000	125,000
HD images with 4 GB MicroSD DVR	40,000	40,000
QXGA images with 4 GB MicroSD DVR	20,000	20,000

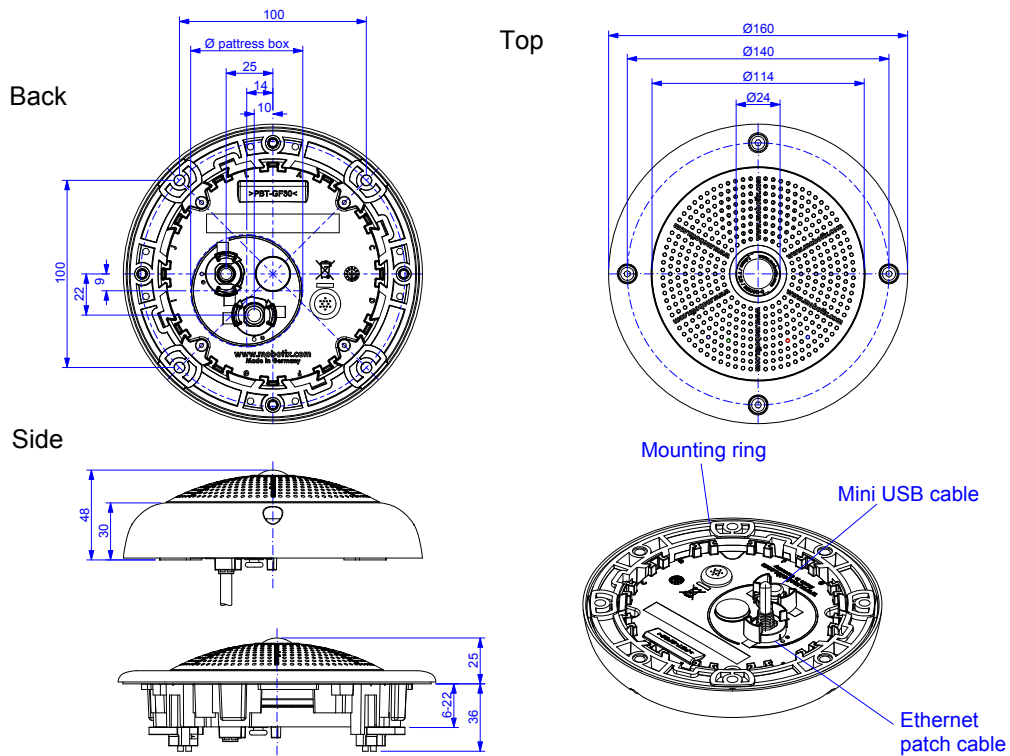
Camera Variants	Q25 Day	Q25 Night
General Functions		
Digital zoom (continuous) with panning	•	•
Codecs: Motion-JPEG/MxPEG/H.264 for SIP	•/•/•	•/•/•
Programmable exposure zones	•	•
Snapshot recording (pre/post-alarm images)	50	50
Terabyte ring buffer storage (internal/network)	•	•
Continuous recording with sound (0.2 to 30 fps)	•	•
Event recording with sound	•	•
Time and event control/flexible event logic	•/•	•/•
Weekly schedules/holidays	•	•
Web functionality (FTP, email)	•	•
Playback/QuadView and MultiView	•/•	•/•
Bidirectional sound in browser	•	•
Logo generator, animated	•	•
Master/Slave arming	•	•
Several scheduled privacy zones	•	•
Customized voice messages	•	•
VoIP telephony (audio/video, alert)	•	•
Remote alarm notification (network message)	•	•
Signal inputs/outputs and RS232 via MxBus module	•	•
Programming interface (HTTP API)	•	•
Security Features (HTTPS/SL, IP-based access control, IEEE 802.1X network authentication)	•	•
Video Analysis		
Video motion detector	•	•
MxAnalytics	•	•
MxActivitySensor (incl. behavioral detection)	•	•
Video Management Software		
MxManagementCenter/MxControlCenter/MxEasy	•/•/•	•/•/•
MOBOTIX App (iOS)	•	•

- available ex works
- not available

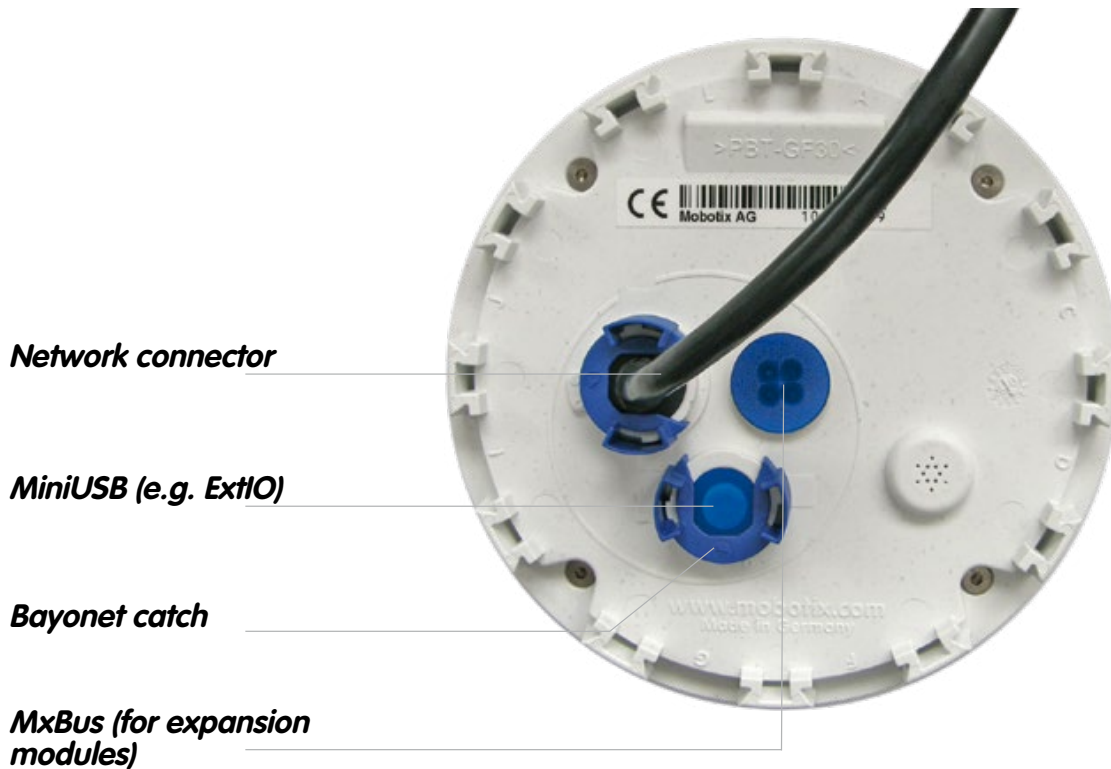
Delivered Parts Q25



(Excerpt from the technical documentation: www.mobotix.com > Support > Manuals)



(Excerpt from technical drawings and 3D views: www.mobotix.com > Support > Image Database)



(Q25 – Camera housing and connectors, excerpt from the technical documentation)

Vandalism Set (enables IK10 and IP66)

The stainless-steel, vandalism-proof housing with lens protection is ideally suited for surveillance at extremely critical locations. **It raises the camera protection class to IK10 and IP66.** The audio features and the LED signals of the camera are still available. To install the Vandalism Set, simply mount the stainless steel cover and the included security screws (with the four mounted spacers) over the standard housing.

Available with polished or matt surface (MX-Q24M-Vandal-ESPO or MX-Q24M-Vandal-ESMA).



Item	Quantity	Part Name
4.1	1	Stainless steel cover 2 mm stainless steel
4.2	4	Spacers for Vandalism set
4.3	4	Security screws M4x16 mm
4.4	1	Two-hole driver bit for security screws
4.5	1	Polycarbonate dome incl. washer
4.6	1	Lens wrench



ø 160 mm/6.3 in

53 mm/2.01 in



Stainless steel, matt

(Q25 Vandalism Set, excerpt from the technical documentation)