



IP30, 0 to 40°C

## Technical Specifications



### MOBOTIX i26A Indoor 180°

#### Perfect Wall Installation. Compact, Discreet And Inexpensive.

The i26A was specially developed for wall installation. Thanks to its tilt angle of 15°, it provides a perfect overview. A single i26A with a 180° lens monitors an entire room. The camera's compact design ensures an inconspicuous appearance in all environments.

- Mx6 system platform with H.264 and ONVIF compatibility
- Recording on an internal MicroSD card (4 GB as standard)
- Optimized for wall installation as an in-wall or on-wall solution
- MxAnalytics Video Analysis tools as standard
- Variants with audio package (microphone and speaker)
- Integrated vibration and temperature sensor

## Technical Specifications: p26 Indoor 180°

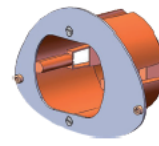
Camera Variants	i26 Day Complete Camera	i26 Night Complete Camera
Specialties	Factory-assembled i26 Day or Night camera with sharply focused lens; additional variants with audio package (microphone and speaker inside the camera housing)	
Lenses	i26 Day Complete Camera	i26 Night Complete Camera
Fisheye Lens <b>MX-B016</b> (f/2.0, Hemispheric 180° x 180°) Variant with audio package	<b>Mx-i26A-6D016</b> <b>Mx-i26A-AU-6D016</b>	<b>Mx-i26A-6N016</b> <b>Mx-i26A-AU-6N016</b>
Ultra Wide Lens <b>MX-B036</b> (f/1.8, 103° x 77°) Variant with audio package	<b>Mx-i26A-6D036</b> <b>Mx-i26A-AU-6D036</b>	<b>Mx-i26A-6N036</b> <b>Mx-i26A-AU-6N036</b>
Hardware	i26 Day Complete Camera	i26 Night Complete Camera
Image sensor with individual exposure zones	Color	Black & White
Light sensitivity in lux at 1/60 s and 1/1 s	0.1/0.005	0.02/0.001
Image sensor (color or B/W sensor)	1/1.8" CMOS, 6MP (3072 x 2048), Progressive Scan	
Microprocessor	i.MX 6 Dual Core incl. GPU (1 GB RAM, 512 MB Flash)	
H.264 Hardware Codec	Yes, bandwidth limitation available; output image format up to QXGA	
Protection classes	IP30 und IK06	
Intended use	Wall mounding, indoor use only, no EX Area	
Ambient temperature (range, incl. storage)	0 to 40°C (32 to 104 °F)	
Internal DVR, ex works	4 GB (microSD)	
Microphone/speaker	Yes/Yes (variants with audio package only)	
16bit/16kHz HD wideband audio (Opus codec)	Yes (live and audio messages)	
Passive infrared sensor (PIR)	No	
Temperature sensor	Yes	
Shock detector (tamper detection)	Yes	
Power consumption (typically at 20°C/68°F)	5 watts	
PoE Class (IEEE 802.3af)	Class 2 or 3 (variable), factory setting: class 3	
Interfaces Ethernet 100BaseT/MxBus/USB	Yes (MxRJ45)/No/Yes	
Interface RS232	With accessory (MX-232-IO-Box)	
Interfaces I/O (2 outputs, 2 inputs)	With accessory (MxIOBoard-IC))	
Mounting options	wall	
Dimensions (height x width x depth)	96 x 138 x 50 mm	
Weight	201 g	
Housing	PBT-30GF, color: white	
Standard delivery	Screws with cover, sealing, allen wrench, 0.5 m Ethernet patch cable, Quick Install	
Detailed technical documentation	<a href="http://www.mobotix.com">www.mobotix.com</a> > Support > Download Center	
Online version of this document	<a href="http://www.mobotix.com">www.mobotix.com</a> > Support > Download Center	
MTBF	> 80,000 hours	
Certifications	EN55032:2012; EN55022:2010; EN55024:2010; EN50121-4:2015 EN61000-6-1:2007; EN 61000-6-2:2005 EN61000-6-3:2007+A1:2011; EN61000-6-4:2007+A1:2011; AS/ NZS CISPR22:2009+A1:2010; CFR47 FCC part15B	
Protocols	IPv4, IPv6, HTTP, HTTPS, FTP, FTPS, RTP, RTSP, UDP, SNMP, SMTP, DHCP (client and server), NTP (client and server), SIP (client and server) G.711 (PCMA and PCMU) and G.722	
Manufacturer's warranty (since May 2018)	3 years	

## Technical Specifications: p26 Indoor 180°

Image Formats, Frame Rates, Image Storage	i26 Day Complete Camera	i26 Night Complete Camera
Available video codecs	MxPEG/MJPEG/H.264	
Image formats	Freely configurable format 4:3, 8:3, 16:9 or customized format (Image Cropping), such as 2592x1944 (5MP), 2048x1536 (QXGA), 1920x1080 (Full-HD), 1280x960 (MEGA)	
Multistreaming	Yes	
Multicast stream via RTSP	Yes	
Max. image format	6MP (3072 x 2048)	
Max. frame rate (fps, only single core used)	<b>MxPEG:</b> 42@HD(1280x720), 34@Full-HD, 24@QXGA, 15@5MP, 12@6MP <b>MJPEG:</b> 26@HD(1280x720), 13@Full-HD, 9@QXGA, 5@5MP, 4@6MP <b>H.264:</b> 25@Full-HD, 20@QXGA	
Number of images with 4 GB microSD (internal DVR)	CIF: 250.000, VGA: 125.000, HD: 40.000, QXGA: 20.000, 6MP: 10.000	



MX-OPT-AP2  
On-Wall Installation Set



MX-OPT-UP1  
In-Wall Installation Set



MxIOBoard-IC  
for signal inputs/outputs

General Functions	i26 Day Complete Camera	i26 Night Complete Camera
Digital zoom and pan	Yes	
ONVIF compatibility	Yes (Profile S)	
Genetec protocol integration	Yes	
Programmable exposure zones	Yes	
Snapshot recording (pre/post-alarm images)	Yes	
Continuous recording with audio	Yes (variants with audio package only)	
Event recording with audio	Yes (variants with audio package only)	
Time controlled flexible event logic	Yes	
Weekly schedules for recordings and actions	Yes	
Event video and image transfer via FTP and email	Yes	
Playback and QuadView via web browser	Yes	
Bidirectional audio in browser	Yes (variants with audio package only)	
Animated logos on the image	Yes	
Master/Slave functionality	Yes	
Privacy zone scheduling	Yes	
Customized voice messages	Yes (variants with audio package only)	
VoIP telephony (audio, alert)	Yes (variants with audio package only)	
Remote alarm notification (network message)	Yes	
Programming interface (HTTP-API)	Yes	
DVR	Inside camera via microSD card, externally via USB device and NAS, different streams for live image and recording, MxFFS with archive function, pre-alarm and post-alarm images, monitoring recording with failure reporting	
Camera and data security	User and group management, SSL connections, IP-based access control, IEEE802.1x, intrusion detection, digital image signature	
MxMessageSystem: Sending and receiving of MxMessages	Yes	

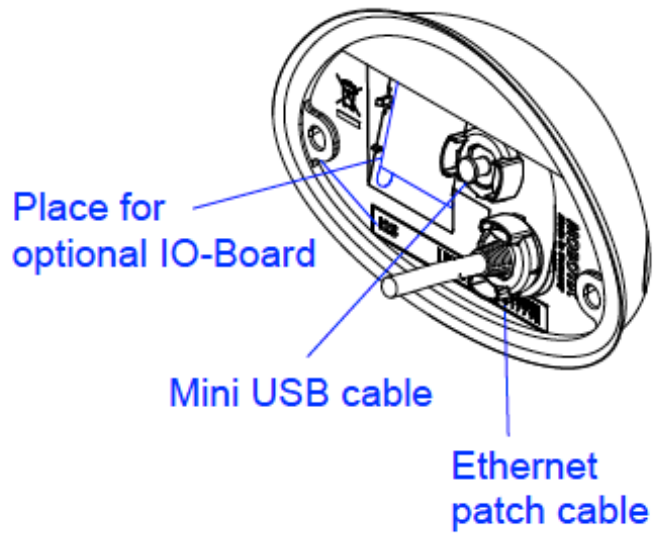
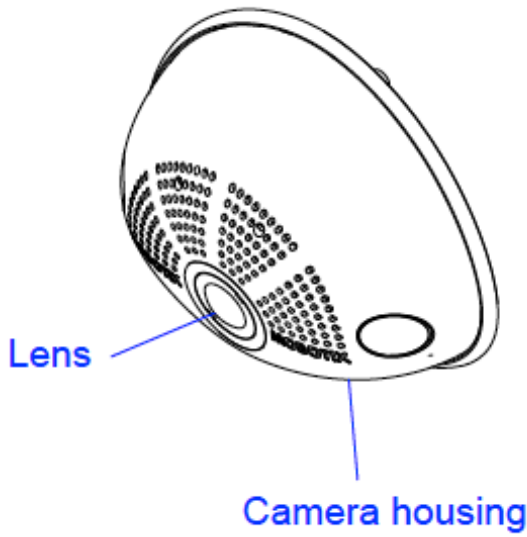
## Technical Specifications: p26 Indoor 180°

Video Analysis	i26 Day Complete Camera	i26 Night Complete Camera
Video Motion Sensor	Yes	
MxActivitySensor	Yes	
MxAnalytics	Yes (Heatmaps and counting corridors)	
Video Management Software	i26 Day Complete Camera	i26 Night Complete Camera
MxManagementCenter	Yes	
Mobile MOBOTIX App	Yes	

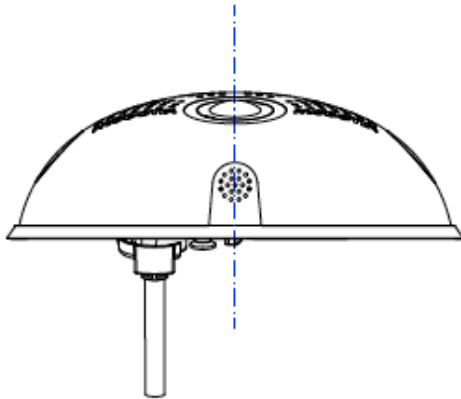
### i26 Standard Delivery



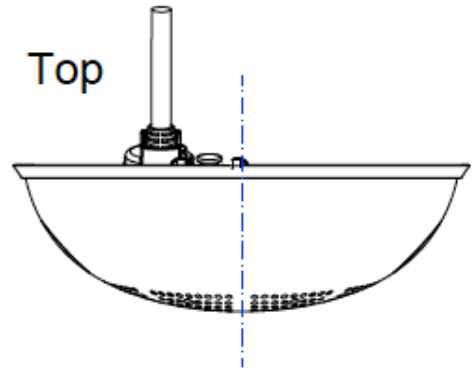
Item	Count	Part Name
1.1	1	Housing (installed)
1.2	1	Back cover (installed)
1.3	1	Main board with lens MX-B016 or MX-B036 (installed)
1.4	2	Bayonet catch, blue (installed)
1.5	1	USB plug, blue (installed)
1.6	1	Ethernet plug, blue (installed)
1.7	1	Ethernet patch cable, 50 cm/19.7 in, black
1.8	1	Wall sealing
1.9	2	Screw plug, white
1.10	2	Washer Ø 4.3 mm, stainless steel
1.11	2	Wood screw 4x40 mm, stainless steel
1.12	2	Screw anchor S6
1.13	1	MicroSD card pre-installed (SDHC installed, SDXC supported)
1.14	1	Allen wrench 2.5 mm



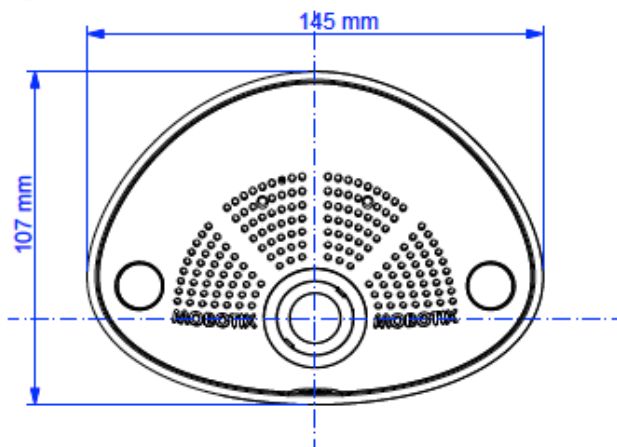
Down



Top



Front



Side

