



Technical Specifications

MOBOTIX D71

Versatile high-resolution imaging technology

Discreet in its appearance and opulent in its possibilities: That's the MOBOTIX D71 Dome. The compact single-lens camera is protected by a weatherproof, impact-resistant polycarbonate dome. Three manually movable axes allow precise alignment of the configurable optics in a convenient way. The D71 becomes infinitely flexible with the intelligent video analysis apps of the MOBOTIX 7 platform.

- 4K UHD or 4MP Ultra LowLight image sensor
- Microphone and speaker integrated
- Shockproof polycarbonate dome
- Platform with the most flexible codec support: H.264, H.265, MxPEG+ and MJPEG
- ONVIF Profile S and T conformity guarantees utmost interoperability
- Wide Dynamic Range (WDR) with up to 120 dB
- Easy Plug quick-mounting system
- Robust in any environment: -40 to 65 °C/-40 to 149 °F, IP66, and IK10



Technical Specifications

MOBOTIX D71

Order Information

Name	D71 Single Lens
Order Code:	Mx-D71A-8DNxxx/Mx-D71A-4DNxxx

Hardware

Image sensor (DN)	4K 3840x2160/4MP 2688x1512
Light sensitivity	<ul style="list-style-type: none">▪ Color sensor (day): 0,1 lx @ 1/60 s; 0,005 lx @ 1 s▪ BW sensor (night): 0,02 lx @ 1/60 s; 0,001 lx @ 1 s
Exposure control	Manual and automatic mode 1 s to 1/16,000 s
Video codecs	H.264, H.265 with Triple Streaming MxPEG+ MJPEG
IK protection class	IK10
IP protection class	IP66
Operating temperature range	-40 to 65 °C/-40 to 149 °F
Min. cold start temperature	-30 °C/-22 °F
Relative Humidity	95 % non-condensing
Internal DVR, out of the box	MicroSD card (8 GB), MxPEG+ recording only

I/Os	<p>INPUT</p> <ul style="list-style-type: none"> ▪ Contact Closure (no galvanic isolation necessary) or up to 50V AC/DC ▪ max. length for cables: 50m <p>OUTPUT</p> <ul style="list-style-type: none"> ▪ requires pull-up resistor and external power supply (10mA / max. 50V DC - no AC) ▪ max. length for cables: depends on loop impedance of the connected cable. <p>Specs for cables connected to the PCB terminals:</p> <p><i>Conductor cross section</i></p> <table border="0"> <tr> <td>AWG</td> <td>20 - 26</td> </tr> <tr> <td>Rigid</td> <td>0.14mm² - 0.5mm²</td> </tr> <tr> <td>Flexible</td> <td>0.14mm² - 0.5mm²</td> </tr> <tr> <td>Flexible with ferrule</td> <td>0.25mm² - 0.34mm²</td> </tr> </table>	AWG	20 - 26	Rigid	0.14mm ² - 0.5mm ²	Flexible	0.14mm ² - 0.5mm ²	Flexible with ferrule	0.25mm ² - 0.34mm ²
AWG	20 - 26								
Rigid	0.14mm ² - 0.5mm ²								
Flexible	0.14mm ² - 0.5mm ²								
Flexible with ferrule	0.25mm ² - 0.34mm ²								
Microphone/Speaker	<p>Integrated Microphone:</p> <ul style="list-style-type: none"> ▪ Sensitivity: -35 +-4 dB (0 dB = 1 V/pa, 1 kHz) <p>Integrated Loudspeaker:</p> <ul style="list-style-type: none"> ▪ 0.9 W at 8 Ohm <p>Line in / Line out</p>								
Integrated illumination	IR up to 30 m								
Shock detector (tamper detection)	Yes								
Max. power consumption	25 W								
Electrical surge protection	Available with MX-Overvoltage-Protection-Box (not part of the scope of delivery)								
PoE standard	PoE Plus (802.3at-2009)/Class 4								
Interfaces	<ul style="list-style-type: none"> ▪ Ethernet 1000BaseT (RJ45 according to EIA/TIA-568B) ▪ USB-C/USB2.0; High-Speed ($V_{out} = 5.1\text{ V}$, $I_{out} = 0.9\text{ A}$, $P_{out} = 4.5\text{ W}$) 								
Mounting Options	Wall- or ceiling-mountable								

Technical Specifications

MOBOTIX D71

Dimensions
(Ø x height) 164 x 96 mm

Weight without sensor modules- Approx. 2.5 kg/5.5 lb

Housing Aluminum, PBT-30GF

Standard accessories

- 1 I/O dome, white
- 2 terminal blocks
- 1 mounting cable with sealing, 0.5 m/~2 in
- 2 silicone sealings for patch cable
- 1 Ethernet patch cable RJ45, 50 cm/19.7 in
- 1 Allen wrench 2.5 mm
- 1 D71 lens wrench, orange
- 4 dowels 8 mm
- 4 stainless steel pan head-screws 4.5x60 mm
- 4 stainless steel washers Ø5.3 mm
- 1 Torx wrench TX 20
- 4 sealing plugs, white
- 1 Important Safety Information
- 1 Camera Connection Flyer

Detailed technical documentation www.mobotix.com > [Support](#) > [Download Center](#) > [Marketing & Documentation](#)

MTBF 80,000 hours

Certificates EN 50121-4:2015, EN 50581:2012, EN 55032:2012+AC:2013, EN 55035:2017, FprEN 61000-6-1:2015, EN 61000-6-2:2015, EN 61000-6-3:2007+A1:2011+AC:2012, EN 61000-6-4:2007+A1:2011, EN 62368-1:2014 + AC: 2015 + A11: 2017 + AC: 2017, IEC 60950-22:2016, AS/NZS CISPR32:2015, 47 CFR Part 15b

Protocols DHCP (client and server), DNS, ICMP, IGMP v3, IPv4, IPv6, HTTP, HTTPS, FTP, FTPS, NFS, NTP (client and server), RTP, RTCP, RTSP, SFTP, SIP (client and server), SMB/CIFS, SNMP, SMTP, SSL/TLS 1.3, UDP, VLAN, VPN, Zeroconf/mDNS

Manufacturer warranty 3 years

Image Formats, Frame Rates, Image Storage

Available video codecs	MxPEG+/MJPEG/H.264/H.265
Image resolutions	VGA 640x360, XGA 1024x576, HD 1280x720, FullHD 1920x1080, QHD 2560x1440, 4K UHD 3840x2160
H.264 multi streaming	Triple Streaming
Multicast stream via RTSP	Yes
Max. image resolution	4K UHD 3840x2160/4MP 2688x1512
Max. frame rate	MxPEG: 20@4k, H.264: 30@4k, H.265: 30@4k

General Features

WDR	Up to 120 dB
Software features	<ul style="list-style-type: none"> ▪ H.264, H.265 Multistreaming ▪ Multicast stream via RTSP ▪ Digital pan, tilt, zoom/vPTZ (up to 8x zoom) ▪ Genetec protocol integration ▪ Custom exposure zones ▪ Snapshot recording (pre/post-alarm images) ▪ Continuous recording ▪ Event recording ▪ Time-controlled flexible event logic ▪ Weekly schedules for recordings and actions ▪ Event video and image transfer via FTP and email ▪ Playback and QuadView via web browser ▪ Animated logos on the image ▪ Master/Slave functionality ▪ Privacy zone scheduling ▪ Remote alarm notification (network message) ▪ Programming interface (HTTP-API) ▪ MxMessageSystem
ONVIF compatibility	Profile S, T
Master/Slave functionality	Yes
Remote alarm notification	email, network message (HTTP/HTTPS), SNMP, MxMessageSystem

Technical Specifications

MOBOTIX D71

DVR/storage management (MxPEG+ only)	Within the camera via microSD card, on external USB and NAS devices, different streams for live image and recording, MxFFS with buffered archive, pre- and post-alarm images, storage monitoring with error reporting
Camera and data security	User and group management , SSL connections, IP-based access control, IEEE 802.1X, intrusion detection, digital image signature

Video Analysis

Video motion detection	Yes
MxActivitySensor	Version 1.0, 2.1
ONVIF compatibility	Profile S, T
MxAnalytics	Heatmap, people counting & object-based counting
MOBOTIX Certified Apps support	Yes

Video Management Software

MxManagementCenter	Yes (MxMC 2.2 and higher) www.mobotix.com > Support > Download Center > Software Downloads
MOBOTIX LIVE	Yes www.mobotix.com > Support > Download Center > Software Downloads

D71 Model Variants

Order Code	Horizontal Angle of View
4K Image Sensor (3840x2160)	
Mx-D71A-8DN050	95°
Mx-D71A-8DN080	60°
Mx-D71A-8DN100	45°
Mx-D71A-8DN150	30°
Mx-D71A-8DN280	15°
4MP Image Sensor (2688x1512)	
Mx-D71A-4DN050	95°

Order Code	Horizontal Angle of View
Mx-D71A-4DN080	60°
Mx-D71A-4DN100	45°
Mx-D71A-4DN150	30°
Mx-D71A-4DN280	15°

For a complete list of lenses for MOBOTIX cameras, please see the Lens Table document for MOBOTIX 7 models on www.mobotix.com > [Support](#) > [Download Center](#) > [Marketing & Documentation](#) > [Lens Table](#).

D71 – Dimensions

NOTE! Download the drilling template from the section or on the MOBOTIX website: www.mobotix.com > Support > Download Center > Marketing & Documentation > Drilling Templates.

CAUTION! Always print or copy at 100% of the original size!

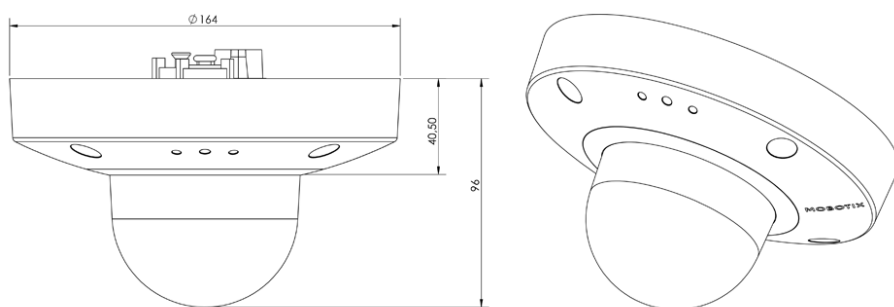


Fig. 1: D71: All measurements in mm

MOBOTIX

BeyondHumanVision

[EN_12/21](#)

MOBOTIX AG • Kaiserstrasse • D-67722 Langmeil • Tel.: +49 6302 9816-103 • sales@mobotix.com • www.mobotix.com

MOBOTIX is a trademark of MOBOTIX AG registered in the European Union, the U.S.A., and in other countries. Subject to change without notice. MOBOTIX do not assume any liability for technical or editorial errors or omissions contained herein. All rights reserved. © MOBOTIX AG 2021