



D16 – Professional Outdoor Dual Lens Camera

- **High-Performance Dual Lens Camera With Two Flexibly Adjustable Sensor Modules**
Applicable as day and/or night system or as 180° camera with detailed 12MP panoramic view
- **Modular System For Maximum Flexibility**
Sensors and lenses can easily be customized with interchangeable sensor modules for self-assembly
- **Powerful, Intelligent And Flexible Mx6 System Platform**
Simultaneous streaming of up to three video codecs (MxPEG, MJPEG and H.264)
- **Intelligent 3D Motion Detection**
MxActivitySensor integrated as standard
- **Reduced Energy Costs**
Power consumption < 7 W, standard PoE
- **Virtually Maintenance-Free**
Weatherproof, up to IP66, -30 to 60°C

Technical Specifications

MOBOTIX D16 DualDome



Camera Variants	D16 For Self-Assembly Day Or Night	D16 180° Panorama Day Or Night	D16 Day & Night
Specialties	Modular system: D16 Body Mx-D16A with 1 or 2 sensor modules of choice, all components available separately for self-assembly	Complete sets (not available for the Americas) Special D16 systems with two factory-assembled sensor modules (all components also available separately for self-assembly)	
Lenses, Sensors (Integrated Into Sensor Modules)	D16 For Self-Assembly Day Or Night	D16 180° Panorama Day Or Night	D16 Day & Night
Sensor module with Ultra Wide Lens B036 (103° x 77°), night version optionally with LPF	Day: Mx-O-SDA-S-6D036 Night: Mx-O-SDA-S-6N036 LPF: Mx-O-SDA-S-6L036	Not available	Mx-D16A-F-6D6N036 or self-assembly
Sensor module with Super Wide Lens B041 (90° x 67°), night version optionally with LPF	Day: Mx-O-SDA-S-6D041 Night: Mx-O-SDA-S-6N041 LPF: Mx-O-SDA-S-6L041	Day: Mx-D16A-P-6D6D041 Night: Mx-D16A-P-6N6N041 or self-assembly	Mx-D16A-F-6D6N041 or self-assembly
Sensor module with Wide Lens B061 (60° x 45°), night version optionally with LPF	Day: Mx-O-SDA-S-6D061 Night: Mx-O-SDA-S-6N061 LPF: Mx-O-SDA-S-6L061	Not available	Mx-D16A-F-6D6N061 or self-assembly
Sensor module with Standard Lens B079 (45° x 34°), night version optionally with LPF	Day: Mx-O-SDA-S-6D079 Night: Mx-O-SDA-S-6N079 LPF: Mx-O-SDA-S-6L079	Not available	Mx-D16A-F-6D6N079 or self-assembly
Sensor module with Tele Lens B119 (31° x 23°), night version optionally with LPF	Day: Mx-O-SDA-S-6D119 Night: Mx-O-SDA-S-6N119 LPF: Mx-O-SDA-S-6L119	Not available	Mx-D16A-F-6D6N119 or self-assembly
Sensor module with Distant Tele Lens B237 (15° x 11°), night version optionally with LPF	Day: Mx-O-SDA-S-6D237 Night: Mx-O-SDA-S-6N237 LPF: Mx-O-SDA-S-6L237	Not available	Mx-D16A-F-6D6N237 or self-assembly
Hardware	D16 For Self-Assembly Day Or Night	D16 180° Panorama Day Or Night	D16 Day & Night
Image sensor with individual exposure zones	Color or Black & White (B/W)	Color or B/W	Color & B/W
Light sensitivity in lux at 1/60 s and 1/1 s	0.1/0.005 (Color) 0.02/0.001 (B/W)	0.1/0.005 (Color) 0.02/0.001 (B/W)	0.1/0.005 (Color) 0.02/0.001 (B/W)
Image sensor (color or B/W sensor)	1/1.8" CMOS, 6MP (3072 x 2048), Progressive Scan		
Microprocessor	i.MX 6 Dual Core incl. GPU (1 GB RAM, 512 MB Flash)		
H.264 Hardware Codec	Yes, bandwidth limitation available; output image format up to QXGA		
Protection classes: no accessories/with Outdoor Wall Mount/with Vandalism Set	IP54 and IK10/IP65 and IK10/IP66 and IK10+		
Intended use	Not for use in hazardous areas (Ex area)		
Ambient temperature (range, incl. storage)	-30 to 60°C/-22 to 140°F		
Internal DVR, ex works	4 GB (microSD)		
Microphone/speaker	Yes/Yes		
16bit/16kHz HD wideband audio (Opus codec)	Yes (live and audio messages)		
Passive infrared sensor (PIR)	Yes		
Temperature sensor	Yes		
Shock detector (tamper detection)	Yes (with future software update)		
Power consumption	< 7 watts		
PoE Class (IEEE 802.3af)	Class 2 or 3 (variable), factory setting: class 3		
Interfaces Ethernet 100BaseT/MxBus/USB	Yes (MxRJ45)/No/Yes		
Interface RS232	With accessory (MX-232-IO-Box)		

Technical Specifications

MOBOTIX D16 DualDome



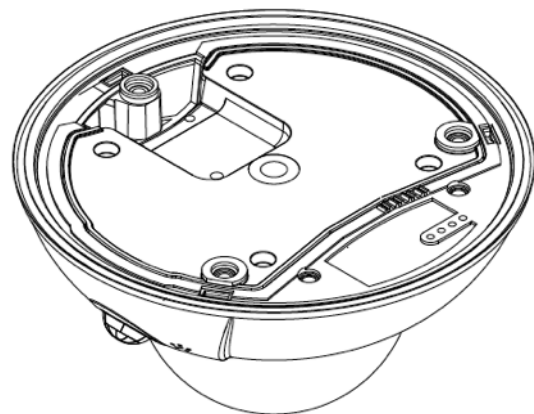
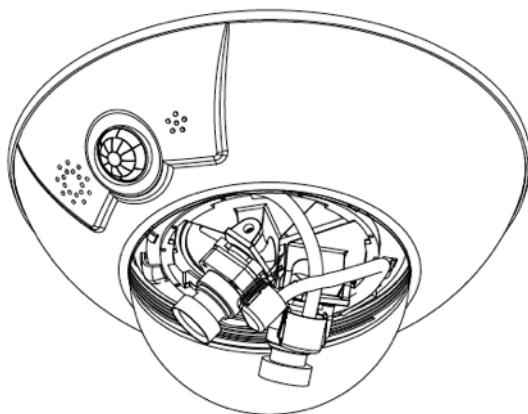
Hardware	D16 For Self-Assembly Day Or Night	D16 180° Panorama Day Or Night	D16 Day & Night
Mounting options	Wall, ceiling or pole (with optional Wall & Pole/Corner Mount Set)		
Dimensions Mx-D16A (height x diameter)	108 x 205 mm		
Weight Mx-D16A	640 g		
Housing	Fixed Dome, PC-PBT, color: white		
Standard accessory Mx-D16A	Screws, dowels, allen screw, custom tool with magnet, Torx wrench, 0.5 m ethernet patch cable, Quick Install, lens cover		
Detailed technical documentation	www.mobotix.com > Support > Manuals		
Online version of this document	www.mobotix.com > Support > Spec Sheets		
MTBF	> 80,000 hours		
Certifications	EN55032:2012 EN55022:2010; EN55024:2010 EN61000-6-1:2007 EN61000-6-3:2007+A1:2011 EN61000-6-4:2007+A1:2011 AS/NZS CISPR22:2009+A1:2010		
Protocols	IPv4, IPv6, HTTP, HTTPS, FTP, SFTP, RTP, RTSP, UDP, SNMP, SMTP, DHCP (client and server), NTP (client and server), SIP (client and server) G.711 (PCMA and PCMU) and G.722		
Image Formats, Frame Rates, Image Storage	D16 For Self-Assembly Day Or Night	D16 180° Panorama Day Or Night	D16 Day & Night
Available video codecs	MxPEG/MJPEG/H.264		
Image formats	Freely configurable format 4:3, 8:3, 16:9 or customized format (Image Cropping), such as 2592x1944 (5MP), 2048x1536 (QXGA), 1920x1080 (Full-HD), 1280x960 (MEGA)		
Multistreaming	Yes		
Multicast stream via RTSP	Yes		
Max. image format (dual image from both sensors)	2x 6MP (6144 x 2048)		
Max. frame rate (fps, only single core used)	MxPEG: 42@HD(1280x720), 34@Full-HD, 24@QXGA, 15@5MP, 12@6MP, 6@2x 6MP MJPEG: 26@HD(1280x720), 13@Full-HD, 9@QXGA, 5@5MP, 4@6MP, 2@2x 6MP H.264: 25@Full-HD, 20@QXGA		
Number of images with 4 GB microSD (internal DVR)	CIF: 250,000, VGA: 125,000, HD: 40,000, QXGA: 20,000, 6MP: 10,000		
General Functions	D16 For Self-Assembly Day Or Night	D16 180° Panorama Day Or Night	D16 Day & Night
Digital zoom and pan	Yes		
ONVIF compatibility	Yes, complete ONVIF Profile S supported by future software update		
Genetec protocol integration	Yes		
Programmable exposure zones	Yes		
Snapshot recording (pre/post-alarm images)	Yes		
Continuous recording with audio	Yes		
Event recording with audio	Yes		
Time controlled flexible event logic	Yes		
Weekly schedules for recordings and actions	Yes		
Event video and image transfer via FTP and email	Yes		
Playback and QuadView via web browser	Yes		
Bidirectional audio in browser	Yes		

Technical Specifications

MOBOTIX D16 DualDome

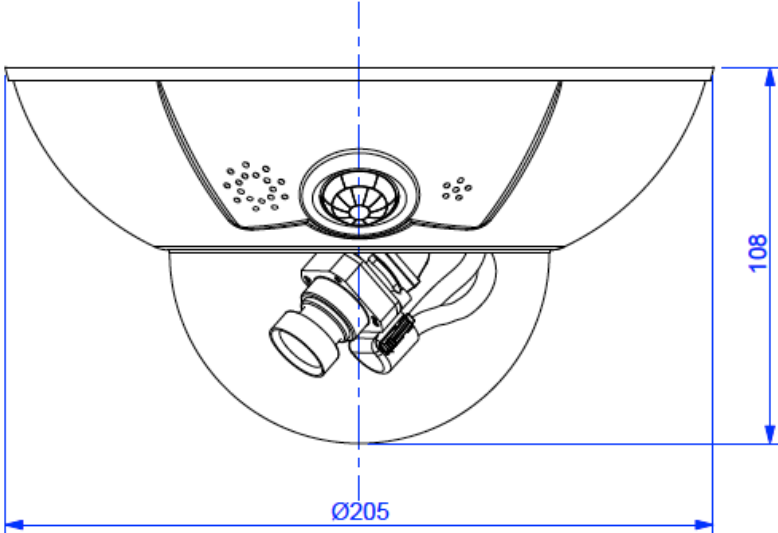


General Functions	D16 For Self-Assembly Day Or Night	D16 180° Panorama Day Or Night	D16 Day & Night
Animated logos on the image		Yes	
Master/Slave functionality		Yes	
Privacy zone scheduling		Yes	
Customized voice messages		Yes	
VoIP telephony (audio/video, alert)		Yes	
Remote alarm notification (network message)		Yes	
Programming interface (HTTP-API)		Yes	
DVR	Inside camera via microSD card, externally via USB device and NAS, different streams for live image and recording, MxFFS with archive function, pre-alarm an post-alarm images, monitoring recording with failure reporting		
Camera and data security	User and group management, SSL connections, IP-based access control, IEEE802.1x, intrusion detection, digital image signature		
MxMessageSystem: Sending and receiving of MxMessages		Yes	
Video Analysis	D16 For Self-Assembly Day Or Night	D16 180° Panorama Day Or Night	D16 Day & Night
Video motion detector		Yes	
MxActivitySensor		Yes	
Video Management Software	D16 For Self-Assembly Day Or Night	D16 180° Panorama Day Or Night	D16 Day & Night
MxManagementCenter		Yes	
Mobile MOBOTIX App		Yes	

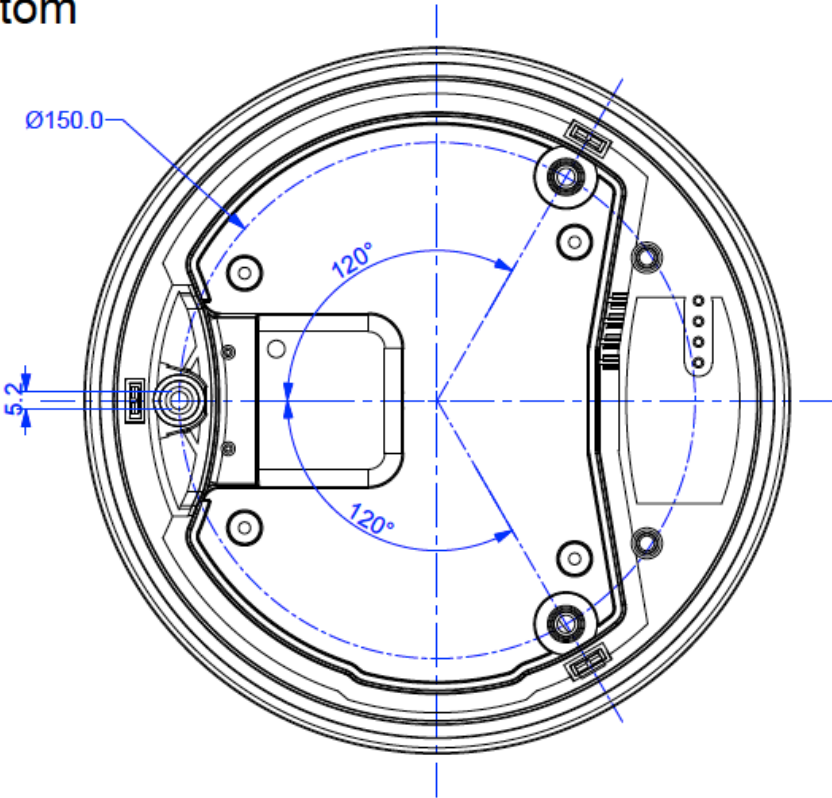




Front



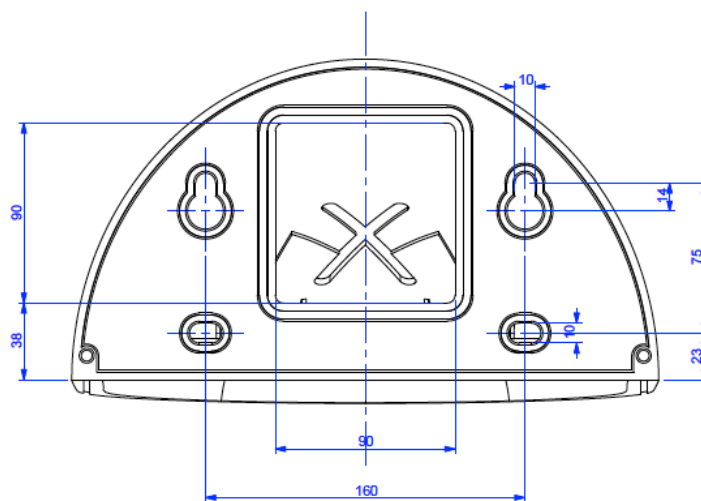
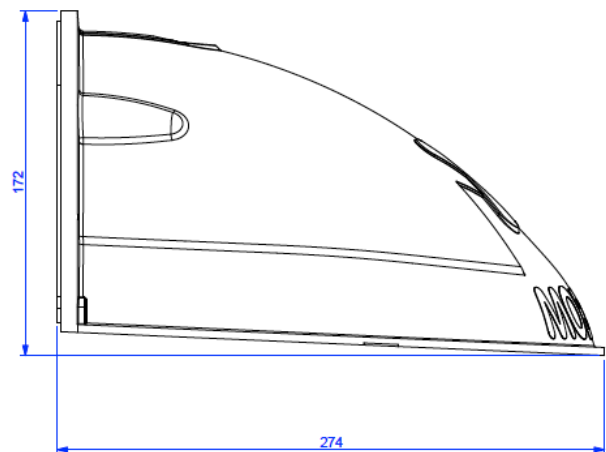
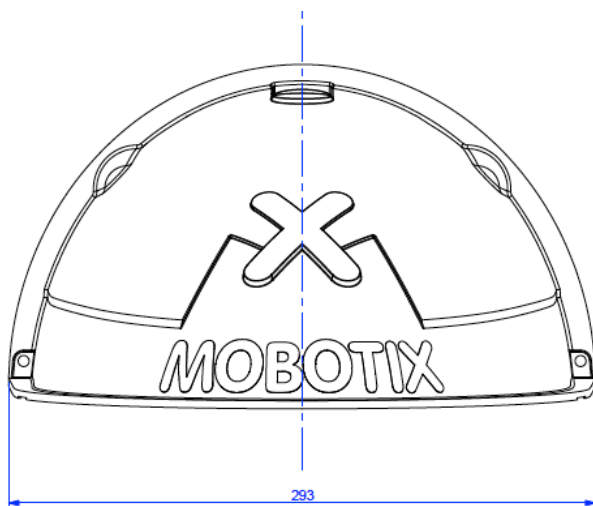
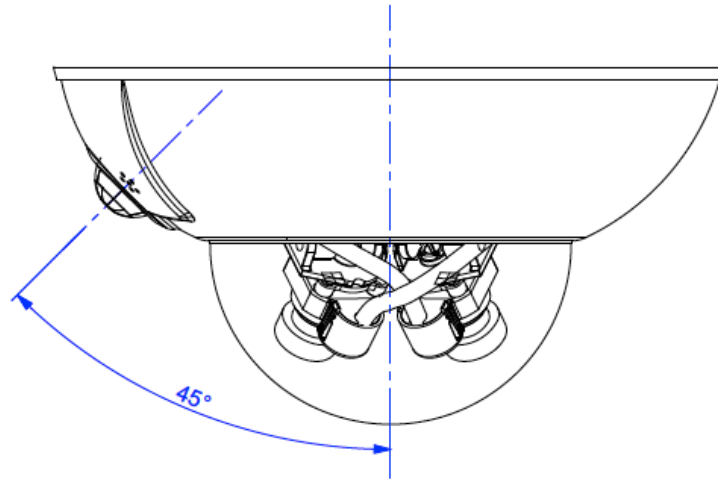
Bottom



Dimensions in mm



Side



Dimensions of Outdoor Wall Mount (accessory)