

MobileView® Power Supply

Uninterruptible Power Supply
for mobile applications

OVERVIEW

Designed specifically for mobile applications, the MobileView Uninterruptible Power Supply (UPS) provides power to the MobileView System in the event of vehicle power loss. The UPS regulates input voltage fluctuations supplied to the MobileView System. When input voltage is out of operating tolerance the UPS continues to provide enough output voltage for a short duration ensuring uninterrupted operation of the MobileView System. UPS will charge backup battery during normal input voltage conditions. To take care of longer power interruptions, the UPS can be configured to send an alarm signal to the MobileView DVR to perform an orderly shutdown. This ensures that critical video surveillance is retained if needed for later investigations.



STANDARD FEATURES

- Provides power to the MobileView system in the event of an outage, ensuring uninterrupted operation
- Configurable alarm signal ensures critical video surveillance is retained
- Rugged construction can withstand operating temperatures from 0°C to 50°C
- Simple, maintenance-free design
- Quick-connect battery terminals
- 9 to 36VDC input voltage

MobileView® Power Supply

Uninterruptible Power Supply for mobile applications

Specifications

Input Requirements

Input Voltage	9 to 36 VDC. Up to 50VDC without damage
Operating Current	17A
Input Protection	20A ATO automotive blade fuse in input cable

Output

Normal Mode	14 to 16VDC, 115W (UPS battery gets charged)
Backup Mode	9 to 14VDC, 115W (UPS battery supplies power)

Relay Contacts

Relay Contacts	Common, Normally Open, Normally Closed lines
----------------	--

Alarm

Alarm	Alarm line is connected to 'NO' and has output when UPS output is good
-------	--

Front Panel Switch

Front Panel Switch	Center off: Normal operation with battery backup Test: Input converter is off and output gets power from UPS battery Override: Internal charger is off, Alarm left on. Output power is supplied only from vehicle battery
--------------------	--

Environment

Operating Temperature	0°C to 50°C
Storage Temperature	-30°C to 80°C

UPS Battery

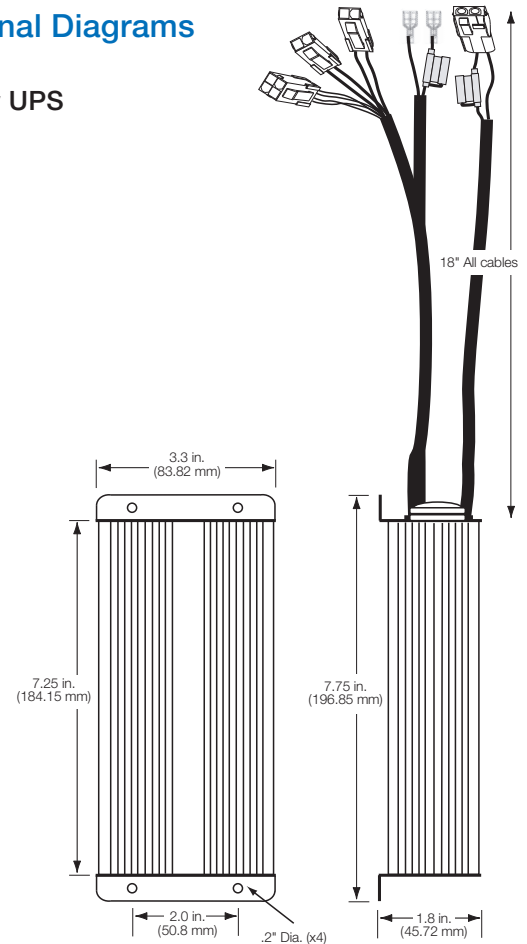
Make	Power Sonic PS-12100H
Capacity	12V, 10AH
Battery Protection	20A ATO automotive blade fuse in battery cable

Battery Charger

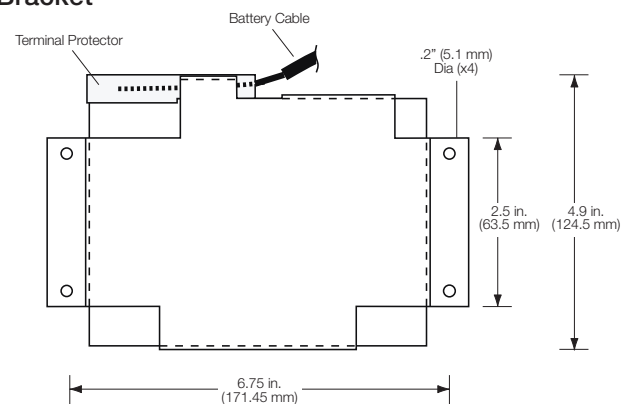
Charging Rate	2A
Battery Float Voltage	13.5VDC at 25C

Dimensional Diagrams

MobileView UPS



MobileView Battery with Bracket



Ordering Information

MVA-2551-12-115	MobileView Bus UPS, 12VDC OUT, 115W
MVA-BATT-12-10-B1	MobileView Battery, 12V, 10 AH, Type 1 MTG Bracket

mobileView

interlogix.com/mobileview

Specifications subject to change without notice.

All rights reserved.

© 2014 United Technologies Corporation.

404-3816 2014/04 (78123)