

Milesight

AI 5X/20X/23X PTZ Bullet Plus Network Camera

NDA A



IP66

AF Lens



DATASHEET



KEY FEATURES

- ▶ NDA A Compliance (The fully NDA A-compliant products are well suited for government, defense and a range of projects subject to the NDA A.)
- ▶ Smart IR II (Combining the High Beam and Low Beam to adjust IR intensity for different lighting conditions with the IR distance up to 180m.)
- ▶ 120dB Super WDR (Excellent performance even when the ratio of the luminosity of brightest and darkest is up to 120dB.)
- ▶ 0.002Lux Starlight (Deliver high detailed color images even in low light environment reaching 0.002Lux.)
- ▶ Smart PTZ Motion Detection (Pan and tilt to the position of motion detected area automatically and zoom in synchronously.)
- ▶ 300 Preset Positions (The user can easily control the lens position via mouse to monitor interested area and set up to 300 preset positions for patrolling.)
- ▶ Keyboard Control (Shortcut keys for PTZ control via Keyboard.)
- ▶ New-generation PTZ Motor (The new generation motor is designed with sophisticate planetary gear drive to ensure smooth turning and robust performance.)
- ▶ Versatile Interfaces (A whole array of ports including PoE, DC, Audio I/O and Alarm I/O offers more choices for easy management and various needs.)
- ▶ Smart Stream (Bandwidth, storage and bit rate save with Smart Stream ON, e.g. H.265+ save 70%~80% bandwidth of H.264.)

AI Video Analytics

- 8 intelligent VCA modes powered by AI engine, which can intelligently filter objects to focus on human and vehicle detection.
- People Counting technology provides high accuracy and real-time data based on AI algorithm with statistic reports.



1/1.8" STARVIS Starlight Sensor

Adopting the top-notch Sony STARVIS Starlight big sensor, the network camera is able to achieve excellent video quality with better low-light sensitivity.



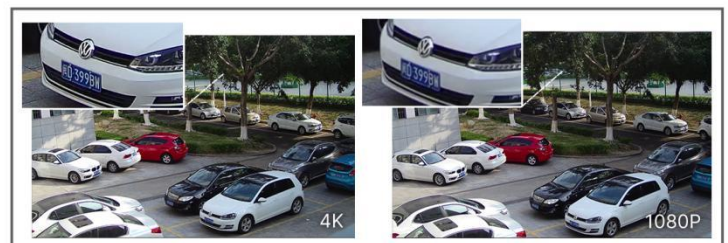
23X Optical Zoom

The 23X optical zoom can zoom up to distant subjects while still maintaining the clarity, delivering high quality video over the entire zoom range.



30fps@4K

Providing 4K HD resolution with frame rate of 30fps, the camera performs well in catching detailed image regardless of the moving speed.



AI 5X/20X/23X PTZ Bullet Plus Network Camera



| | Model | MS-C2867-X20TPA (2MP) | MS-C2967-X23TPA (2MP) |
|---------------|--------------------------|--|--|
| Camera | Image Sensor | 1/2" Progressive Scan CMOS | 1/2.8" Progressive Scan CMOS |
| | Min. Illumination | Color: 0.002Lux@F1.6 B/W: 0Lux with IR on | Color: 0.005Lux@F1.5 B/W: 0Lux with IR on |
| | WDR | 120dB Super WDR | |
| | Shutter Time | 1/100000s~1s | |
| | IR Distance | Up to 180m | |
| | Digital Zoom | 16X | |
| | Day/Night Mode | Day/Night/Auto/Customize/Schedule | |
| | S/N | >55dB | |
| Lens | Focal Length | 6.4~128mm, 20X Optical Zoom | 5~117mm, 23X Optical Zoom |
| | Zoom Speed | Approx 5s (Wide-Tele) | Approx 6s (Wide-Tele) |
| | Field of View | H60°~H3°/D67°~D4°/ V37°~V1° | H60°~H3°/D69°~D4°/ V35°~V2° |
| | Focus Control | Auto/Semi-Auto/Manual | |
| | Minimum Working Distance | 1000/2000mm (Wide/Tele) | 1000/1500mm (Wide/Tele) |
| | Aperture | F1.6~F4.0 | F1.5~F3.5 |
| | Iris Control | Auto | |
| PTZ | Pan Range/Pan Speed | 360°endless / Pan Manual Speed: 0.1°~60°/s, Pan Preset Speed: 60°/s | |
| | Tilt Range/Tilt Speed | -45°~30° / Tilt Manual Speed: 0.1°~30°/s, Tilt Preset Speed: 30°/s | |
| | Proportional Zoom | Support | |
| | Preset Quantity | 300 | |
| | Patrol | 8 Patrols, up to 48 presets each patrol | |
| | Pattern | 4 Patterns | |
| | Power Off Memory | Support | |
| | Other Function | Auto Scan, Auto Home, Preset Freezing, 3D Positioning, PTZ Limits, Initial Position | |
| Video | Max. Image Resolution | 1920x1080 | |
| | Primary Stream | 60Hz/50Hz: 90fps@(1920x1080, 1280x960, 1280x720, 704x576) | |
| | Secondary Stream | 60Hz/50Hz: 90fps@(704x576, 640x480, 640x360, 352x288, 320x240, 320x180) | |
| | Tertiary Stream | 60Hz: 30fps@(1280x720, 704x576, 640x480, 640x360, 320x240, 320x180) 50Hz: 25fps@(1280x720, 704x576, 640x480, 640x360, 320x240, 320x180) | |
| | Video Compression | H.265*/H.265(HEVC)/H.264*/H.264/MJPEG | |
| | Video Bit Rate | 16Kbps~16Mbps(CBR/VBR Adjustable) | |
| | Privacy Masking | Up to 24 areas | |
| | ROI | Up to 8 areas | |
| | Image Setting | Brightness/Contrast/Saturation/Sharpness | |

AI 5X/20X/23X PTZ Bullet Plus Network Camera



| | | |
|------------------------------|------------------------|--|
| Interface | Ethernet | 1*RJ45 10M/100M Ethernet Port |
| | Audio I/O | 1/1 |
| | Alarm I/O | 1/1 |
| Network | Network Storage | NAS(Support NFS, SMB/CIFS), ANR |
| | Protocol | IPv4/IPv6, ARP, TCP, UDP, RTCP, RTP, RTSP, RTMP, HTTP, HTTPS, DNS, DDNS, DHCP, FTP, NTP, SMTP, SNMP, UPnP, Bonjour, SIP, PPPoE, VLAN, 802.1x, QoS, IGMP, ICMP, SSL |
| Audio | Audio Compression | G.711/AAC/G.722/G.726 |
| | Audio Sampling Rate | 8/16/32/44.1/48KHz |
| | Audio Bit Rate | 16~256kbps |
| | Two-way Audio | Support |
| Intelligent Analytics | Video Analysis | Region Entrance, Region Exiting, Advanced Motion Detection, Tamper Detection, Line Crossing, Loitering, Object Left, Object Removed |
| | People Counting&Report | Count the number of people entering or exiting, up to 4 detection areas for regional people counting |
| System | Storage | Support microSD/SDHC/SDXC Card Local Storage, up to 256G |
| | Advanced Function | BLC, HLC, 2D DNR, 3D DNR, AWB, IP Address Filtering, AGC, Anti-flicker, Corridor Mode, Deblur, Watermark |
| | SIP/VoIP Support | Yes, Voice & Video-over-IP |
| | Event Trigger | Motion Detection, Network Disconnection, External Input, Audio Alarm, etc. |
| | Event Action | FTP Upload, SMTP Upload, SD Card Record, External Output, SIP Phone, White LED, PTZ Motion, HTTP Notification, etc. |
| | System Compatibility | ONVIF Profile G & Q & S & T, API |
| General | Working Temperature | -40°C~60°C |
| | Working Humidity | 0~90%(Non-condensing) |
| | Power Supply | PoE (802.3at) / DC 12V/3A±10% |
| | Power Consumption | 12W MAX / 23W MAX (With IR on) |
| | Weather Proof | Up to IP66-rated for Weather-resistant Performance |
| | Weight | 2.9Kg |
| | Dimensions | 110mmX337mmX220mm |
| | Warranty | 2 Years / 3 Years (Optional) |

AI 5X/20X/23X PTZ Bullet Plus Network Camera



| | Model | MS-C8267-X5PA (4K) | MS-C8267-X20PA (4K) |
|----------------|---|--|--|
| Camera | Image Sensor | 1/1.8" Progressive Scan CMOS | |
| | Min. Illumination | Color: 0.009Lux@F1.7 B/W: 0Lux with IR on | Color: 0.009Lux@F1.6 B/W: 0Lux with IR on |
| | WDR | 120dB Super WDR | |
| | Shutter Time | 1/100000s~1s | |
| | IR Distance | Up to 180m | |
| | Digital Zoom | 16X | |
| | Day/Night Mode | Day/Night/Auto/Customize/Schedule | |
| | S/N | >55dB | |
| Lens | Focal Length | 11~55mm, 5X Optical Zoom | 6.4~128mm, 20X Optical Zoom |
| | Zoom Speed | Approx 3.5s (Wide-Tele) | Approx 5s (Wide-Tele) |
| | Field of View | H36°~H8°/D41°~D9°/ V21°~V5° | H60°~H3°/D67°~D4°/ V37°~V1° |
| | Focus Control | Auto/Semi-Auto/Manual | |
| | Minimum Working Distance | 1000/1500mm (Wide/Tele) | 1000/2000mm (Wide/Tele) |
| | Aperture | F1.7~F2.1 | F1.6~F4.0 |
| | Iris Control | Auto | |
| PTZ | Pan Range/Pan Speed | 360°endless / Pan Manual Speed: 0.1°~60°/s, Pan Preset Speed: 60°/s | |
| | Tilt Range/Tilt Speed | -45°~30° / Tilt Manual Speed: 0.1°~30°/s, Tilt Preset Speed: 30°/s | |
| | Proportional Zoom | Support | |
| | Preset Quantity | 300 | |
| | Patrol | 8 Patrols, up to 48 presets each patrol | |
| | Pattern | 4 Patterns | |
| | Power Off Memory | Support | |
| Other Function | Auto Scan, Auto Home, Preset Freezing, 3D Positioning, PTZ Limits, Initial Position | | |
| Video | Max. Image Resolution | 3840x2160 | |
| | Primary Stream | 60Hz: 30fps@(3840x2160, 3072x2048, 2592x1944, 2592x1520, 2048x1536, 1920x1080, 1280x960, 1280x720, 704x576) 50Hz: 25fps@(3840x2160, 3072x2048, 2592x1944, 2592x1520, 2048x1536, 1920x1080, 1280x960, 1280x720, 704x576) | |
| | Secondary Stream | 60Hz: 30fps@(704x576, 640x480, 640x360, 352x288, 320x240, 320x180) 50Hz: 25fps@(704x576, 640x480, 640x360, 352x288, 320x240, 320x180) | |
| | Tertiary Stream | 60Hz: 30fps@(1280x720, 704x576, 640x480, 640x360, 320x240, 320x180) 50Hz: 25fps@(1280x720, 704x576, 640x480, 640x360, 320x240, 320x180) | |
| | Video Compression | H.265*/H.265(HEVC)/H.264*/H.264/MJPEG | |
| | Video Bit Rate | 16Kbps~16Mbps(CBR/VBR Adjustable) | |
| | Privacy Masking | Up to 24 areas | |
| | ROI | Up to 8 areas | |
| | Image Setting | Brightness/Contrast/Saturation/Sharpness | |

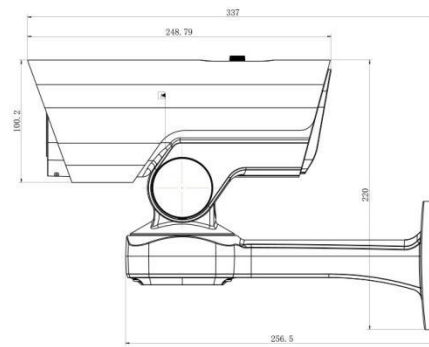
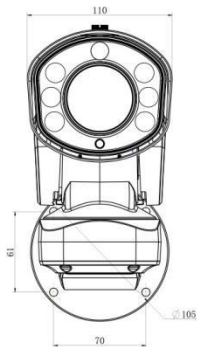
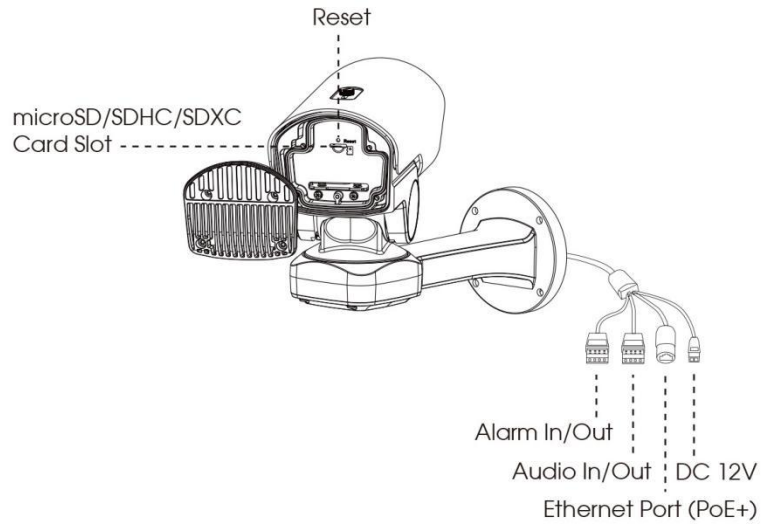
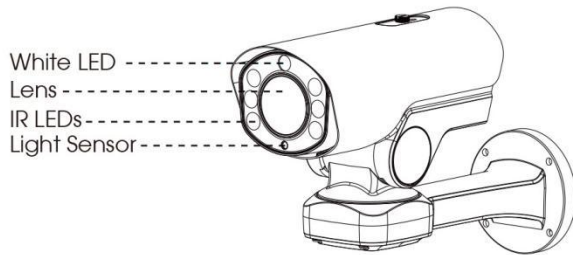


| | | |
|------------------------------|------------------------|--|
| Interface | Ethernet | 1*RJ45 10M/100M Ethernet Port |
| | Audio I/O | 1/1 |
| | Alarm I/O | 1/1 |
| Network | Network Storage | NAS(Support NFS, SMB/CIFS), ANR |
| | Protocol | IPv4/IPv6, ARP, TCP, UDP, RTCP, RTP, RTSP, RTMP, HTTP, HTTPS, DNS, DDNS, DHCP, FTP, NTP, SMTP, SNMP, UPnP, Bonjour, SIP, PPPoE, VLAN, 802.1x, QoS, IGMP, ICMP, SSL |
| Audio | Audio Compression | G.711/AAC/G.722/G.726 |
| | Audio Sampling Rate | 8/16/32/44.1/48KHz |
| | Audio Bit Rate | 16~256kbps |
| | Two-way Audio | Support |
| Intelligent Analytics | Video Analysis | Region Entrance, Region Exiting, Advanced Motion Detection, Tamper Detection, Line Crossing, Loitering, Object Left, Object Removed |
| | People Counting&Report | Count the number of people entering or exiting, up to 4 detection areas for regional people counting |
| System | Storage | Support microSD/SDHC/SDXC Card Local Storage, up to 256G |
| | Advanced Function | BLC, HLC, 2D DNR, 3D DNR, AWB, IP Address Filtering, AGC, Anti-flicker, Corridor Mode, Deblur, Watermark |
| | SIP/VoIP Support | Yes, Voice & Video-over-IP |
| | Event Trigger | Motion Detection, Network Disconnection, External Input, Audio Alarm, etc. |
| | Event Action | FTP Upload, SMTP Upload, SD Card Record, External Output, SIP Phone, White LED, PTZ Motion, HTTP Notification, etc. |
| | System Compatibility | ONVIF Profile G & Q & S & T, API |
| General | Working Temperature | -40°C~60°C |
| | Working Humidity | 0~90%(Non-condensing) |
| | Power Supply | PoE (802.3at) / DC 12V/3A±10% |
| | Power Consumption | 13W MAX / 24W MAX (With IR on) |
| | Weather Proof | Up to IP66-rated for Weather-resistant Performance |
| | Weight | 2.9Kg |
| | Dimensions | 110mmX337mmX220mm |
| | Warranty | 2 Years / 3 Years (Optional) |

AI 5X/20X/23X PTZ Bullet Plus Network Camera



Structure Diagrams



Units: mm

Accessories Support

A01 Pole Mount

Weight: 720g
Dimensions: 170*51.5*152.6mm



A03 External Corner Bracket

Weight: 900g
Dimensions: 170*152.5*76.3mm



A62 Junction Box

Weight: 510g
Dimensions: 134*126*40mm



Milesight | www.milesight.com

Contact Us: sales@milesight.com support@milesight.com

Add: 220 NE 51st Street, Oakland Park, Florida 33334, USA
Tel: +1-800-561-0485

Add: 925, Anyang SK V1 Center, LS-ro 116beon-gil, Dongan-gu, Anvang-si, Korea
Tel: +82-31-990-7732

Add: Building C09, Software Park Phase III, Xiamen 361024, Fujian, China
Tel: +86-592-5922772

