

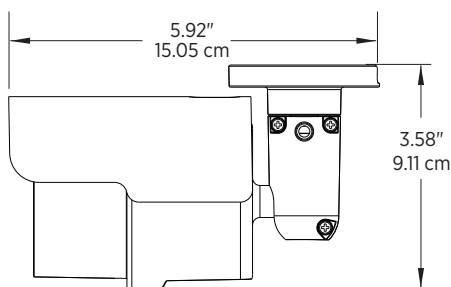
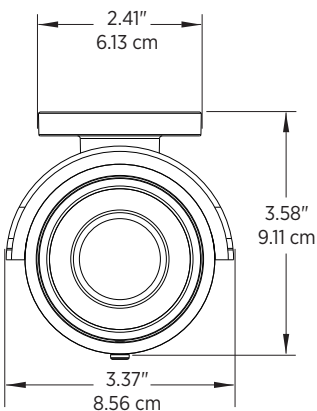
# VA2 IR MicroBullet

2MP IR bullet camera with built-in video analytics and HDR technology



ONVIF | SGT

For customers who need to monitor activity in a variety of lighting conditions, from bright light to complete darkness, the **VA2 IR MicroBullet** from March Networks® integrates IR LEDs, High Dynamic Range (HDR), a P-Iris, and 2MP resolution to guarantee superior image quality, regardless of lighting. The camera is protected by a rugged, weather-proof (IP66), vandal-resistant (IK10) enclosure.



## Key Benefits

- ▼ **Built-In Video Analytics**
  - **Abandoned Object** - an alarm is triggered if an object remains in one spot for too long.
  - **Loitering Detection** - an alarm is triggered when people remain in an area for too long.
  - **Tripwire** - an alarm is triggered when a person or object crosses the defined line.
  - **Intrusion Detection** - an alarm is triggered when people or vehicles enter a specific area.
  - **Object Removal** - an alarm is triggered if an object is removed from an area.
- ▼ **Save money on storage and bandwidth.** The camera's low bit rate (LBR) setting reduces storage and bandwidth usage by 50% or more in most applications; streams can drop below 1Mbps at 2MP (15 fps).
- ▼ **High Dynamic Range (HDR).** The camera blends the best parts of several separate exposures together to combine the most focused, well-lit, and colorful parts of the scene.
- ▼ **Smart IR Illumination.** The built-in LEDs provide uniform illumination in total darkness, which means users will see high-quality, low-noise video from 50 feet (15 meters) away. Additionally, the camera automatically adjusts the intensity of the LEDs to compensate for the distance of an object, so the object is not overexposed when it gets too close to the camera.
- ▼ **Rugged housing.** The IK10, vandal-resistant design withstands impact on the body of the housing, and the IP66 rating protects the camera from dust and water intrusion.
- ▼ **Remote zoom and focus.** No need to manually zoom and focus from the top of a ladder. Installers can zoom in and out remotely with the click of a mouse.

*See clear images in the dark from 50 feet (15 meters) away.*

# VA2 IR MicroBullet

## CAMERA

Image Sensor	1/3" Progressive Scan CMOS
Effective Pixels	2MP; 1920 (H) x 1080 (V)
Lens	2.7-12mm, F1.6, P-Iris lens
Field of View	99.2 (Wide); 31.3 (Tele)
High Dynamic Range (HDR)	120 dB
Day/Night	Automatic IR cut filter
Minimum Illumination	Color: 0.08 lux; B/W: 0.008 lux; 0 lux with IR On
Shutter Speed	1 to 1/10000s
Pan/Tilt/Zoom	4.4X Optical Zoom, Digital PTZ via Command
White Balance	Manual/Automatic
IR Wavelength	850nm
IR Illumination Distance	50 feet (15 meters)

## VIDEO

Video Compression	H.265, H.264, M-JPEG
Resolution	2MP 1080p (1920x1080), 1MP 720p (1280x720), SXGA, XGA, SVGA, D1, VGA, CIF
Frame Rate	Up to 30fps @ 2MP
Streaming	Up to 4 individually configurable streams in H.265/H.264/M-JPEG Configurable resolution/frame rate/bandwidth; LBR/VBR/CBR bitrate modes available
Dual Streams	2MP 1080p (1920x1080) @ 30fps + 2MP 1080p (1920x1080) @ 15fps (Shutter WDR Off)
Quad Streams	2MP (1920x1080) @ 30fps + XGA (1024x768) @ 30fps + CIF (352x240) @ 30fps + CIF (352x240) @ 30fps
HDR Mode (Shutter WDR On)	2MP 1080p (1920x1080) @ 15fps + 2MP 1080p (1920x1080) @ 15fps
Image Settings	Iris control, backlight compensation, white balance, noise reduction, wide dynamic range, privacy mask, brightness, exposure, sharpness, contrast, saturation, hue, IR configuration, day/night threshold
Video Rotation	90° 9:16, 180° 16:9

## NETWORK

Security	Password protection, HTTPS encryption, IEEE 802.1X
Supported Protocols	IPv4/v6, TCP/IP, UDP, RTP, RTSP, HTTP, HTTPS, DHCP, PPPoE, QoS, ONVIF-S/G/T, SNMP v1/v2/v3

## SYSTEM INTEGRATION

Video Analytics	Video motion detection, active video tampering, abandoned object, loitering detection, tripwire, intrusion detection, object removal
Alarm Trigger	External input, video analytics
Alarm Events	Video recording to local storage, external output activation

## ELECTRICAL

Power	PoE (802.3af, Class 0); 12VDC
Power Consumption	PoE: 7W typical; 12VDC: 6.5W typical

## PHYSICAL

Construction	Plastic housing and polycarbonate lens
Dimensions (D x H)	Ø 4.6 x 3.3 H in (Ø 11.7 x 8.35 H cm)
Weight	0.73 lb (0.33 Kg)

## ENVIRONMENTAL

Operating Temperature	-22° to 131°F (-30°C to 55°C)
Humidity	10-90% RH, non-condensing
Ingress Protection Rating	IP66
IK Impact Rating	IK10

## USER CONNECTIONS

Alarm	1 x Alarm In, 1 x Relay Out
Ethernet	RJ45 10/100 Base-T
Power	Female Barrel

## GENERAL

Local Storage	MicroSD/MicroSDHC/MicroSDXC memory card up to 1TB (sold separately)
LED Indicator	Power, Activity
Included Accessories	Quick Start Guide; mounting template; mounting hardware

## REGULATORY

Certification Model	C3902A
Safety	UL 62368-1, CSA 62368-1, IEC/EN 62368-1
Emissions	EN 55032, EN61000-3-2, EN61000-3-3, FCC Part 15 Subpart B, ICES-003, CISPR 32, AS/ NZS CISPR 32
Immunity	EN50130-4
Environmental	RoHS3
Compliance Marking	CE, cULus, RCM, WEEE, UKCA, NOM

## ORDERING INFORMATION

39365-101	VA2 IR MicroBullet
-----------	--------------------

### 5-year warranty:

- Option for Advance Replacement or Repair & Return.
- No need to issue a PO prior to receiving the replacement.
- March Networks incurs all shipping costs — both ways — for Advance Replacements.