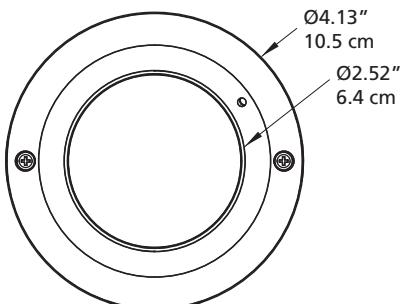
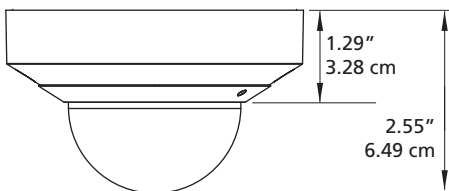


# ME4 IR MicDome

4MP dome with High Dynamic Range (HDR),  
IR and built-in microphone, for mobile applications



For Mobile customers who need a full-featured dome with a small footprint, the **ME4 IR MicDome** integrates IR LEDs, HDR and 4MP resolution to guarantee superior image quality, in a discreet housing. The camera is protected by a weather-proof (IP66), vandal-resistant enclosure (IK10), and generates an alert in the event someone attempts to obstruct or move the camera.



## Key Benefits

- ▼ **4MP resolution.** Twice the amount of pixels as 1080p, 4MP delivers the perfect amount of detail to see facial features, clothing and accessories, etc.
- ▼ **Save money on storage and bandwidth.** The camera's low bit rate (LBR) setting reduces storage and bandwidth usage by 50% or more in most applications; streams can drop below 1Mbps at 4MP (15 fps).
- ▼ **Built-in microphone.** No need to purchase and install a separate device for applications that require audio.
- ▼ **Moisture protection.** The camera's mic contains an acoustic membrane, which prevents moisture from permeating. The membrane also allows moisture to escape, giving it breathability and protecting the camera.
- ▼ **High Dynamic Range (HDR).** The camera blends the best parts of several separate exposures together to combine the most focused, well-lit, and colorful parts of the scene.
- ▼ **Integrated IR.** The built-in LEDs provide uniform illumination in total darkness, which means users will see high-quality, low-noise video from over 49 feet (15 meters) away.
- ▼ **3-axis gimbal.** The camera's pan, tilt and rotation are adjusted by a single mechanism. This allows for single-handed positioning of the camera during installation and simplifies setup.
- ▼ **Hallway mode.** To capture vertically-oriented scenes, such as the aisle in the center of a bus, the camera provides a 90° rotation so images are created vertically, maximizing the field of view in narrow situations.

*Get high performance in a small, durable form factor — just over 4 inches in diameter — complete with a built-in microphone.*

# ME4 IR MicDome

CAMERA	
Image Sensor	1/3" Progressive Scan CMOS
Effective Pixels	4MP; 2688 (H) x 1520 (V)
Lens	2.8mm (F2.0) or 4.0mm (F2.1), fixed focal
Field of View	33164-101 and -103: 100° 33164-102 and -104: 60°
High Dynamic Range (HDR)	120dB
Day/Night Functionality	IR LED
Minimum Illumination	Color: 0.1 lux; B/W: 0.01 lux; IR on: 0.0 lux
Shutter Speed	1/10000s
Camera Angle Adjustment	Pan 350°, Tilt 160°, Rotation -100° to 100°
Pat/Tilt/Zoom	Digital PTZ via Command
White Balance	Manual/Automatic
IR Wavelength	850nm
IR Illumination Distance	49 feet (15m)
Number of LEDs	4
VIDEO	
Video Compression	H.264, M-JPEG
Resolution	4MP (2688 x 1520), 3MP, Full HD 1080p, SXGA, 720p, XGA, SVGA, D1, VGA, CIF
Frame Rate	Up to 25/30fps @ 4MP (2688 x 1520)
Video Streaming Dual	H.264 4MP (2688 x 1512) @25/30fps + H.264 D1 @ 25/30fps (one of the streams ≤2MP can be set as M-JPEG)
Quad	H.264 Full HD (1920 x 1080) @ ≤25/30fps + H.264 Full HD (1920 x 1080) @ ≤25/30fps H.264 4MP (2688 x 1512) @25/30fps + H.264 SVGA @ 15fps + H.264 CIF @ 15fps + H.264 CIF @ 15fps
Image Settings	Iris control, backlight compensation, white balance, noise reduction, wide dynamic range, privacy mask, brightness, exposure, sharpness, contrast, saturation, hue, IR configuration, day/night threshold
AUDIO	
Audio Streaming	One-way
Audio Compression	G.711 PCM
Audio Input/Output	Embedded microphone

NETWORK	
Security	Password protection, HTTPS encryption (configuration only), IEEE 802.1X
Supported Protocols	IPv4/v6, TCP/IP, UDP, RTP, RTSP, HTTP, HTTPS, DHCP, PPPoE, UPnP, QoS, ONVIF-S
Interface	RJ-45 or M12, 10/100Mbps Ethernet
Internet Browser	Internet Explorer (10+)
SYSTEM INTEGRATION	
Intelligent Video	Video motion detection, active video tampering, privacy zones
Alarm Trigger	Motion detection, video tampering, external input
Alarm Events	Video recording to local storage (SDXC, 64GB support), external output activation
GENERAL	
Power	PoE (802.3 af, Class 0); 12VDC
Power Consumption	3.64W typical IR LED: +2.64W SD Card: +0.6W
LED Indicator	Power, Link, ACT
Connectors	Power: 2 Pin Terminal Block Ethernet: RJ-45 or M12 Audio: built-in
Local Storage	SDXC memory card up to 64GB (sold separately)
Operating Conditions	-22° to 131°F (-30° to 55°C); 10-90% RH, non-condensing
Weatherproof Standard	IP66
Vandal-Proof	IK10
Weight	0.54 lb (0.25 Kg)
Dimensions	Ø 4.13 x 2.56 H in (Ø 105 x 65 H mm)
Certification Model	C2401A
Regulatory Approvals	Emissions: EN 55022: FCC Part 15 Subpart B, ICES-003, CISPR 22, AS/NZS CISPR 22, CISPR 25 Immunity: EN 50130-4, EN50121-3-2 & SAE1113 Safety: UL60950-1, IEC60950-1 (CB report), IEC60950-22 S&V: SAE J1455, EN50155 Environmental: ROHS2, WEEE
Included Accessories	Software CD (including Installation Guide, Configuration Guide, and browser); Quick Start Guide; mounting template; mounting hardware

ORDERING INFORMATION	
CAMERA	
33164-101	ME4 IR MicDome with 2.8mm lens, RJ-45
33164-102	ME4 IR MicDome with 4.0mm lens, RJ-45
33164-103	ME4 IR MicDome with 2.8mm lens M12
33164-104	ME4 IR MicDome with 4.0mm lens M12