

# ME8 IR DuraBullet

Rugged 8MP IR bullet camera with built-in video intelligence and HDR technology



*The "Stopped Vehicle" analytic triggers an alert when a vehicle pulls into a parking space for curbside pickup.*



The **ME8 IR DuraBullet** from March Networks® delivers high image quality, combined with built-in IR illumination, allowing you to discern objects in the dark from over 131 feet (40 meters) away. The housing is weather-resistant and vandal-proof, rated for severe outdoor conditions and extreme temperatures.

Incorporating advanced system-on-chip (SoC) technology from Ambarella®, the camera features a set of powerful video analytics, including License Plate Recognition (LPR), tripwire, intrusion detection, loitering detection, and abandoned object. Video analytics enable organizations to enhance security in both public and private spaces by detecting perimeter or area breaches, unattended objects, and atypical activity more rapidly and consistently. The software detects camera tampering in real time and also promotes more proactive system maintenance by alerting staff to camera obstructions or changes in camera positioning that may otherwise go unnoticed.

## Key Benefits

### ▼ Built-In Video Intelligence

- **Abandoned Object** - an alarm is triggered if an object remains in one spot for too long.
- **Loitering Detection** - an alarm is triggered when people remain in an area for too long.
- **Tripwire** - an alarm is triggered when a person or object crosses the defined line.
- **Stopped Vehicle** - an alarm is triggered when a vehicle remains in an area for too long.
- **Intrusion Detection** - an alarm is triggered when people or vehicles enter a specific area.
- **Object Removal** - an alarm is triggered if an object is removed from an area.
- **License Plate Recognition** - detect and capture license plates to be used with Searchlight application.

- ▼ **4K resolution.** The camera delivers crystal-clear 4K images, with more pixels on target for faster and easier identification of people and objects.

- ▼ **Enhanced for Curbside pickup.** Using the stopped vehicle analytic, the camera can identify vehicles who pull into a parking space. The camera can alert the store staff of the presence and decrease waiting times for customers.

- ▼ **"Region of interest" encoding.** Identify parts of the scene as low or high importance, then adjust the compression levels within those zones, to save on storage.

- ▼ **Digital Overlap High Dynamic Range (DOL-HDR).** The camera blends the best parts of three separate exposures together to combine the most focused, well-lit, and colorful parts of the scene.

*Thanks to embedded AI training, the camera is able to make intelligent decisions to recognize people and cars.*

# ME8 IR DuraBullet

CAMERA	
Image Sensor	1/1.8" Progressive CMOS
Effective Pixels	8MP; 3840 (H) x 2160 (V)
Lens	3.6 – 11mm, motorized, F1.5, P-Iris
Field of View	115° H x 61.2° V (wide); 47.5° H x 27.0° V (tele)
High Dynamic Range (HDR)	120 dB
Day/Night	Automatic IR cut filter
Minimum Illumination	Color: 0.04 lux; B/W: 0.002 lux; IR On: 0.0 lux
Shutter Speed	1 to 1/500s
Camera Angle Adjustment	Pan 360°, Tilt 180°, Rotation -100° to 100°
Pan/Tilt/Zoom	3X Optical zoom, Digital PTZ via Command
White Balance	Manual/Automatic
IR Wavelength	850nm
IR Illumination Distance	131 feet (40m)

VIDEO	
Video Compression	H.265, H.264, MJPEG
Resolution	8MP (3840x2160), 6MP (3328x1872), 5MP (3072x1728), 4MP (2688x1512), 3MP (2432x1368), 2MP 1080p (1920x1080), 1MP 720p (1280x720), XGA, SVGA, D1, VGA, CIF
Frame Rate	Up to 30fps @ 8MP; Up to 60fps @ 2MP (with Shutter WDR Off)
Streaming	Up to 4 individually configurable streams in H.265/H.264/MJPEG Configurable resolution/frame rate/bandwidth; LBR/VBR/CBR bitrate modes available
Image Settings	Iris control, backlight compensation, white balance, noise reduction, wide dynamic range, privacy mask, brightness, exposure, sharpness, contrast, saturation, hue, IR configuration, day/night threshold

AUDIO	
Audio Streaming	Full Duplex
Audio Compression	G.711 PCM
Audio Input/Output	Line in/line out

NETWORK	
Security	Password protection, HTTPS encryption (configuration only), IEEE 802.1X
Supported Protocols	IPv4/v6, TCP/IP, UDP, RTP, RTSP, HTTP, HTTPS, DHCP, PPPoE, QoS, ONVIF-S/G/T, SNMPv1/v2/v3

SYSTEM INTEGRATION	
Video intelligence	Video motion detection, license plate recognition, active video tampering, abandoned object, loitering detection, tripwire, intrusion detection, object removal, stopped vehicle
Alarm Trigger	Video analytics, external input
Alarm Events	Video recording to local storage, external output activation

ELECTRICAL	
Power	PoE (802.3af, Class 0); 24VAC; 12VDC
Power Consumption	PoE: typical 13W; 24VAC: typical 25.5W; 12VDC: typical 16.5W

PHYSICAL	
Construction	Metal housing
Dimensions (L x D x H)	9.2 x 4.1 x 5.5 in (23.38 x 10.5 x 13.98 cm)
Weight	2.7 lbs (1.2 Kg)

ENVIRONMENTAL	
Operating Temperature	-67° to 131°F (-55°C to 55°C)
Humidity	8 - 90% RH, non-condensing
Ingress Protection Rating	IP66
Impact Rating	IK10




North America ..... 1 800 563 5564  
 Latin America ..... +5255 5259 9511  
 Europe ..... +39 0362 17935  
 Asia ..... +65 6818 0963  
 Australia and New Zealand ..... +61 1300 089 419  
 Middle East and Africa ..... +971 4 399 5525

© 2022 March Networks. All rights reserved. Information in this document is subject to change without notice. MARCH NETWORKS, March Networks Command, March Networks Searchlight, March Networks RideSafe, and the MARCH NETWORKS logo are trademarks of March Networks Corporation. All other trademarks are the property of their respective owners. 060-3470-00-B  
[marchnetworks.com](http://marchnetworks.com)

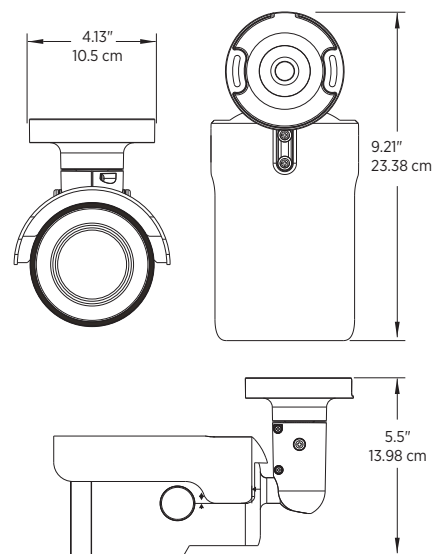
USER CONNECTIONS	
Alarm	1 x Alarm In, 1 x Relay Out
Audio	1 x Audio In, 1 x Audio Out
Ethernet	RJ45 10/100 Base-T
Analog Video	1 x Output
Power	2-pin Terminal

GENERAL	
Local Storage	MicroSD/MicroSDHC/MicroSDXC memory card up to 1TB (sold separately)
LED Indicator	Power, Activity
Included Accessories	Quick Start Guide; mounting template; mounting hardware

REGULATORY	
Certification Model	C4002A
Safety	UL 62368-1, CSA 62368-1, IEC/EN 62368-1
Emissions	EN 55032, EN61000-3-2, EN61000-3-3, FCC Part 15 Subpart B, ICES-003, CISPR 32, AS/ NZS CISPR 32
Immunity	EN 50130-4
Environmental	RoHS3
Compliance Marking	CE, cULus, RCM, WEEE, UKCA, NOM

MOUNTING OPTIONS		
		
Surface Mount (out-of-box)	Wall Mount Back Box	Pole Adaptor Back Box

ORDERING INFORMATION	
<b>CAMERA</b>	
39533-101	ME8 IR DuraBullet
<b>ACCESSORIES</b>	
33227	Wall Mount Back Box
33226	Pole Adaptor Back Box



**5-year warranty:**

- Option for Advance Replacement or Repair & Return.
- No need to issue a PO prior to receiving the replacement.
- March Networks incurs all shipping costs – both ways – for Advance Replacements.

